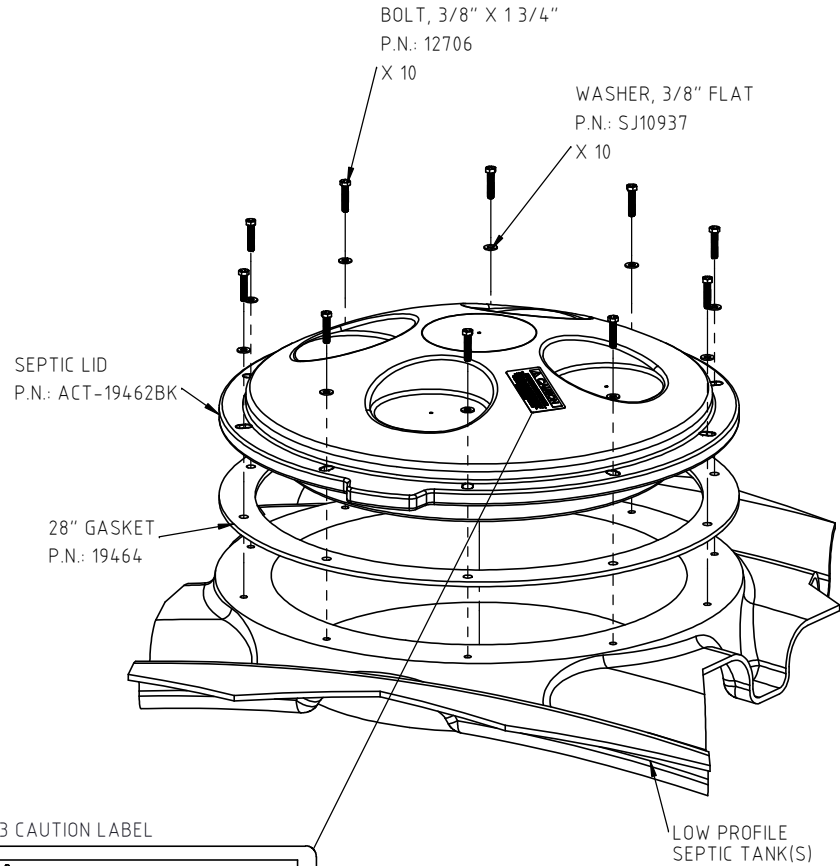


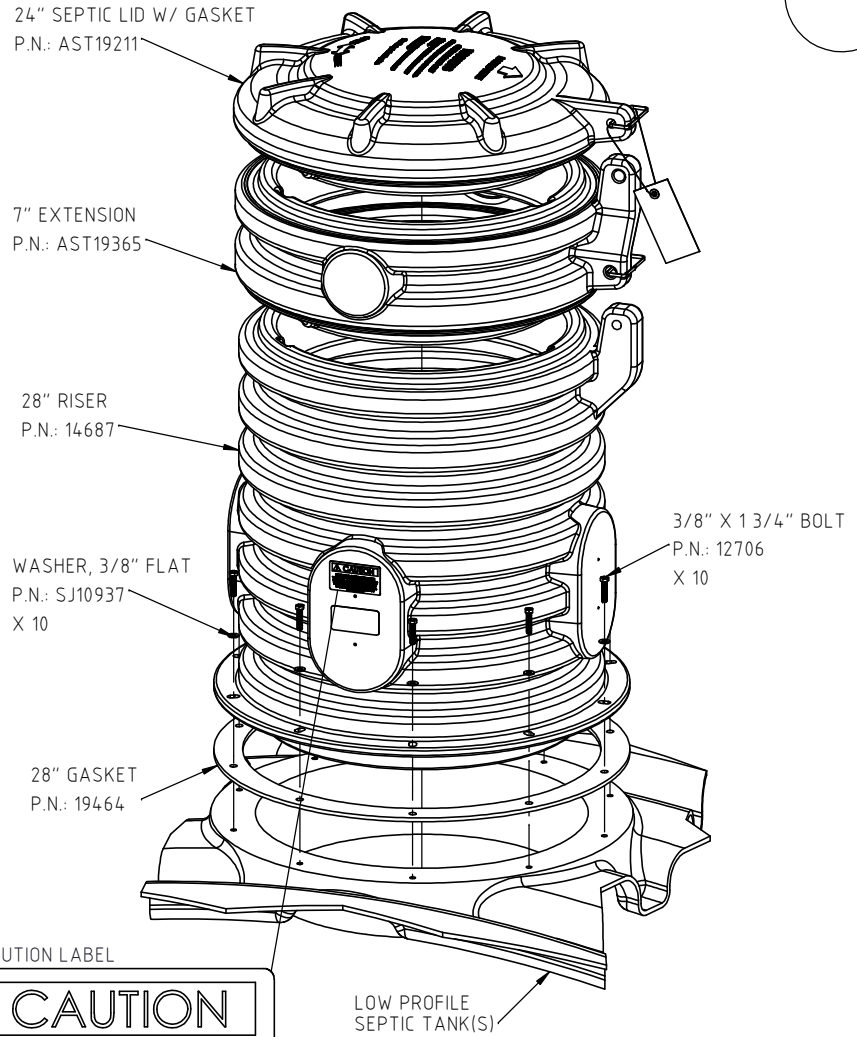
Copyright. All information furnished within this document, electronic file or design correspondence is the property of Den Hartog Industries, Inc. and shall not be used, disclosed to others or copied without the expressed written consent of Den Hartog Industries, Inc.



19463 CAUTION LABEL

CAUTION
DO NOT OVER TIGHTEN BOLTS
SNUG UP ALL BOLTS THEN EVENLY TORQUE EACH BOLT TO 12 FT. LB.
FAILURE TO HEED MAY RESULT IN BOLT FAILURE AND TANK LEAKAGE

ACT-16053BK BURIAL LID INSTALLATION



19463 CAUTION LABEL

CAUTION
DO NOT OVER TIGHTEN BOLTS
SNUG UP ALL BOLTS THEN EVENLY TORQUE EACH BOLT TO 12 FT. LB.
FAILURE TO HEED MAY RESULT IN BOLT FAILURE AND TANK LEAKAGE

LPS-14684 36" SEPTIC RISER AND LID INSTALLATION

| | | | | | |
|---|-------------|---|-----|-------------------------------|----------|
| REV | DESCRIPTION | BY / DATE | CCN | DRAWN / DATE ADH 7/17/17 | MATERIAL |
| | | | | APPROD. / DATE REH 7/19/17 | |
| ALL DIMENSIONS ARE IN DECIMAL INCHES TOLERANCES UNLESS OTHERWISE SPECIFIED | | THIRD ANGLE PROJECTION ANSI 14.5M | | SHOT WEIGHT: | NOTES: |
| POLYETHYLENE | | METAL DECIMAL ± .125" FRACTION ± 1/4" ANGLE ± 1° | | SHIPPING WEIGHT: | |
| ±1% @ 68°F | | | | FINISH: | |



Den Hartog
INDUSTRIES, INC.

Acra Roto-Mold Injection Molding Blow Molding Sowjoy

4010 HOSPERS DRIVE S. BOX 425, HOSPERS, IOWA 51238-0425

| | |
|---|-------------------|
| DESCRIPTION LP SEPTIC LID AND RISER INSTALLATION DIAGRAM | |
| SCALE N.S. | PART NO. 14683 |