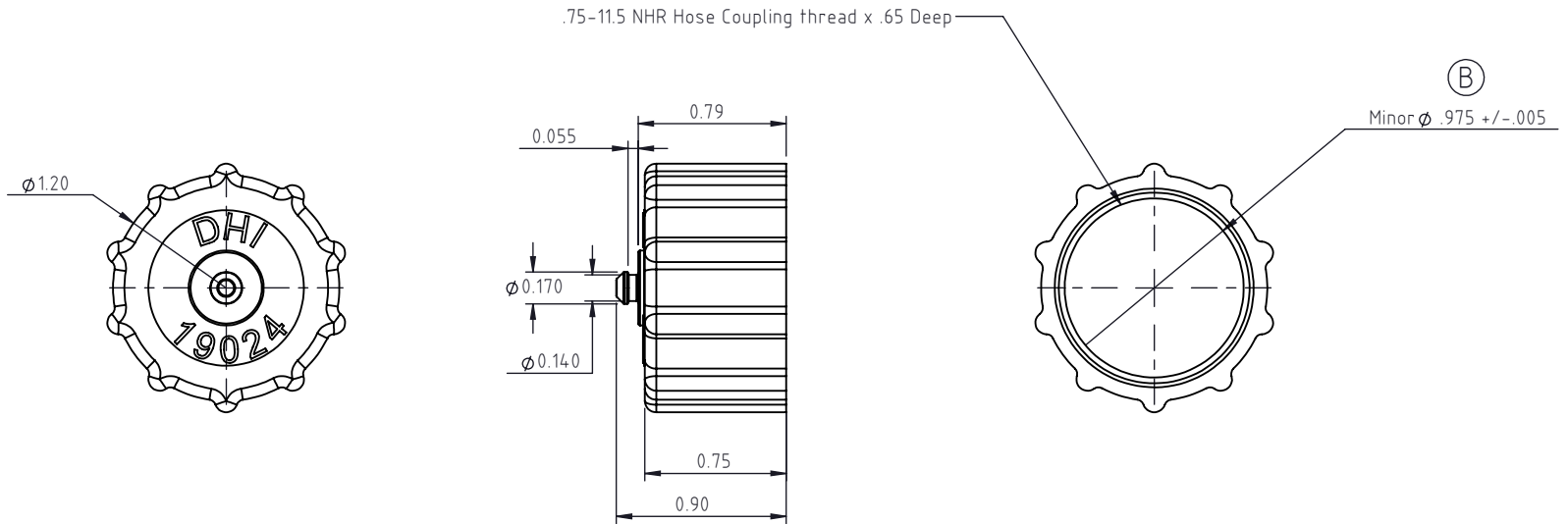

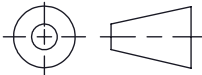


Copyright. All information furnished within this document, electronic file or design correspondence is the property of Den Hartog industries, Inc. and shall not be used, disclosed to others or copied without the expressed written consent of Den Hartog Industries, Inc.



D	Material Change	MVE 1/8/14	2771				
C	Update Logo & Tolerance	GWC 4/19/07	1296	DRAWN / DATE	MATERIAL	 <p>Den Hartog INDUSTRIES, INC.</p> <p>Ace Roto-Mold Injection Molding Blow Molding Sowjoy</p> <p>4010 HOSPERS DRIVE S. BOX 425, HOSPERS, IOWA 51238-0425</p>	<p>DESCRIPTION DHI Outlet Cap</p>
B	Was .975/.985	12/20/05	NA	REH 2/16/01	Impact Modified PP Color: Black		
A	Material Change	9/13/02	NA	APPRD. / DATE			
REV	DESCRIPTION	BY / DATE	CCN	GWC 4/19/07			
<p>ALL DIMENSIONS ARE IN DECIMAL INCHES TOLERANCES UNLESS OTHERWISE SPECIFIED</p>		<p>THIRD ANGLE PROJECTION ANSI 14.5M</p> 		<p>NOTES:</p> <p>1. Weight 5.2 grams 2. XXXXX</p>		SCALE	PART NO.
<p>NOTE</p> <p>TOLERANCE: .XXX ± .006" .XX ± .016 ANGLE ± 1°</p>				<p>SHIPPING WEIGHT: XXXXX</p> <p>FINISH: XXXXX</p>		N.S.	19024