

© DEN HARTOG INDUSTRIES, INC.

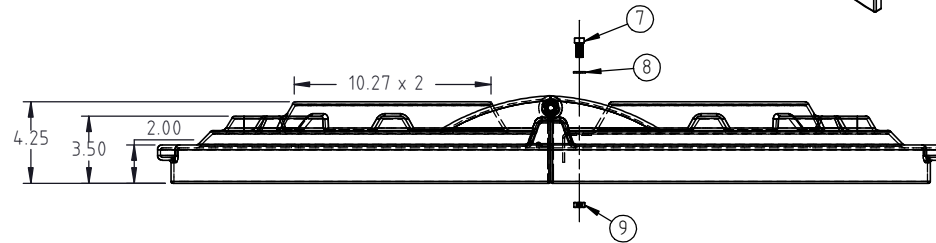
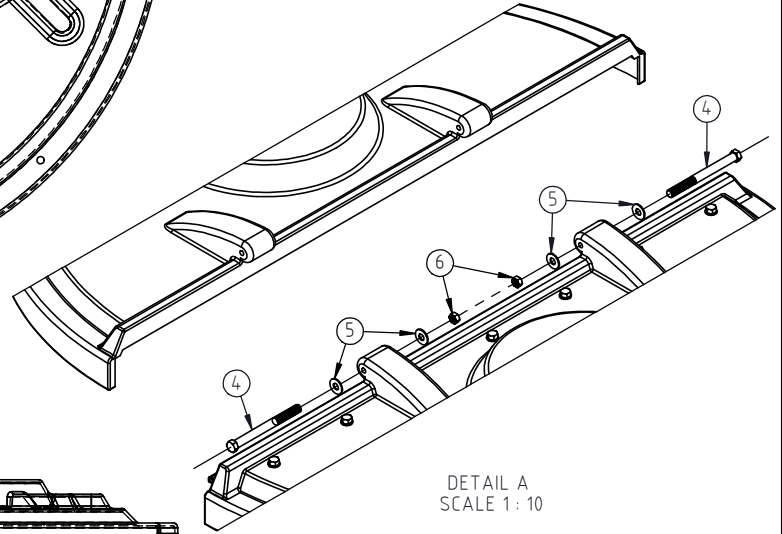
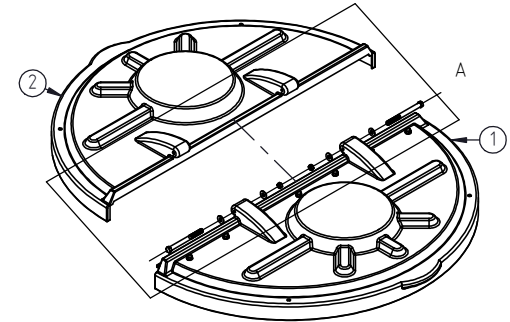
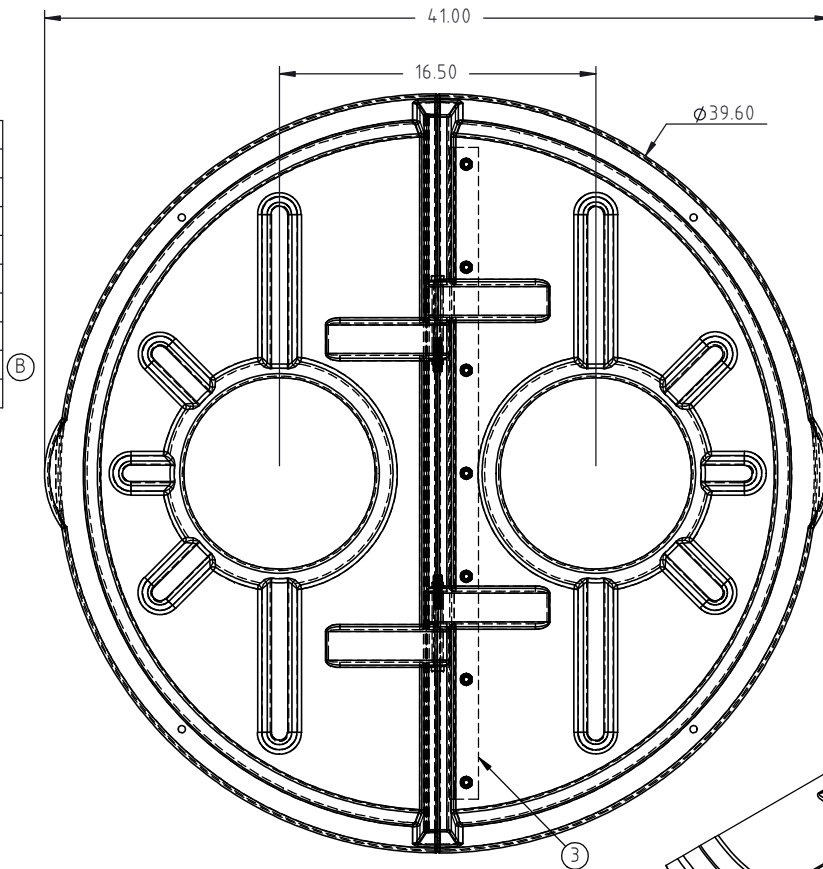
Copyright. All information furnished within this document, electronic file or design correspondence is the property of Den Hartog industries, Inc. and shall not be used, disclosed to others or copied without the expressed written consent of Den Hartog Industries, Inc.

19505

B

KEY	PART NUMBER	DESCRIPTION	QTY.
1	19503	36" HINGED LID-MALE	1
2	19504	36" HINGED LID-FEMALE	1
3	13219	FORMED STIFFENER	1
4	13220	BOLT, 5/16" X 4 3/4"	2
5	10320	WASHER, 5/16" FLAT ZINC	4
6	10280	NUT, 5/16" NYLOK ZINC	2
7	10087	BOLT, 1/4" X 3/4" HEX GR5 ZINC	7
8	10626	WASHER, 1/4" FLAT ZINC	7
9	10070	NUT, 1/4" HEX GR 2 ZINC	7

(A)



REV	DESCRIPTION	BY / DATE	CCN	APPROD. / DATE	MATERIAL
B	10626 WAS SJ10067	ADH 10/26/11	2311	ADH 7/16/10	
A	10070 DESCRIPTION ON THE PRINT CORRECTED	ADH 10/24/11	2313	REH 4/18/11	

ALL DIMENSIONS ARE IN DECIMAL INCHES TOLERANCES UNLESS OTHERWISE SPECIFIED	THIRD ANGLE PROJECTION ANSI 14.5M	SHOT WEIGHT:	NOTES:
POLYETHYLENE	METAL DECIMAL ± .125" FRACTION ± 1/4" ANGLE ± 1°	SHIPPING WEIGHT: 14.00 LBS	
±1% @ 68°F		FINISH:	



Den Hartog
INDUSTRIES, INC.

Acro Roto-Mold Injection Molding Blow Molding Sowjoy

4010 HOSPERS DRIVE S. BOX 425, HOSPERS, IOWA 51238-0425

DESCRIPTION	36" HINGED LID ASSEMBLY	
SCALE	N.S.	PART NO. 19505