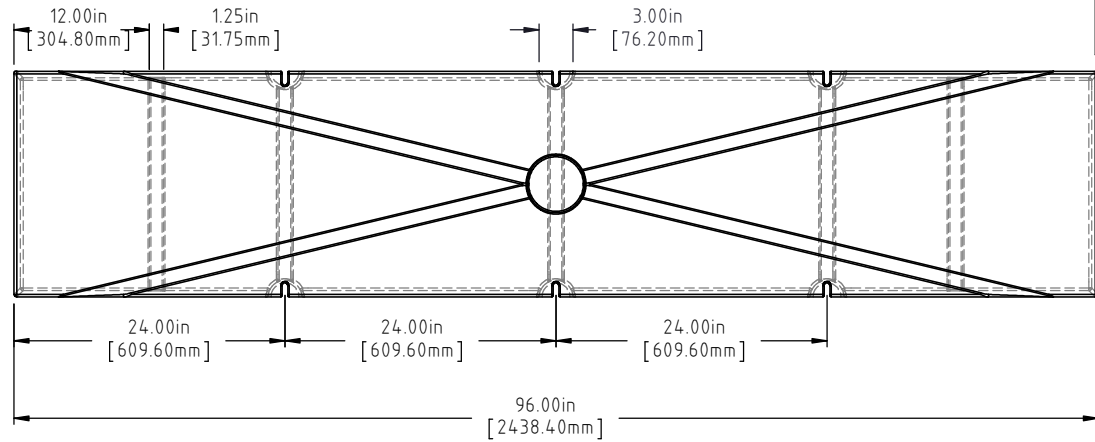


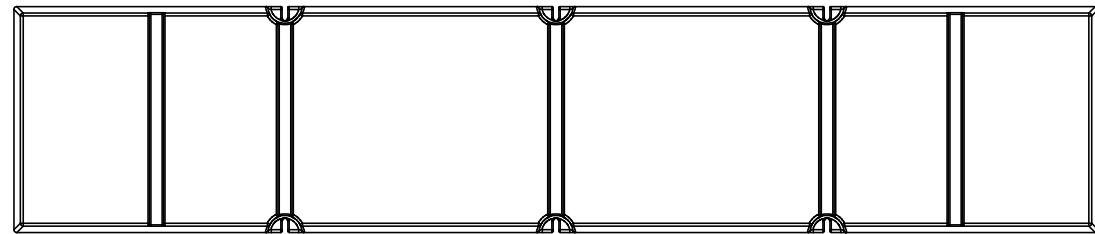
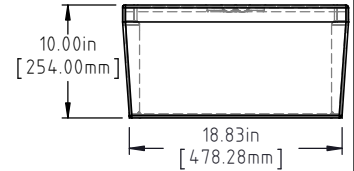
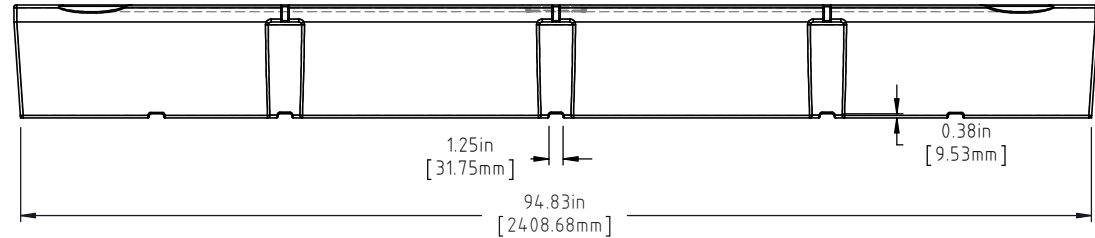
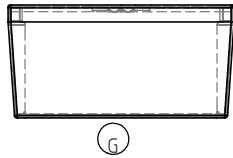
© DEN HARTOG INDUSTRIES, INC.

Copyright. All information furnished within this document, electronic file or design correspondence is the property of Den Hartog industries, Inc. and shall not be used, disclosed to others or copied without the expressed written consent of Den Hartog Industries, Inc.



2096-10

G



| | | | |
|-----|--|--------------|------|
| G | BOTTOM AND SIDE VIEWS ADDED TO PRINT | ADH 12/4/14 | 2971 |
| F | 592 LBS WAS 591 LBS, 50 LBS WAS 49 LBS. | ADH 6/5/12 | 2420 |
| E | 591.00 LBS WAS SHOWN AS 343.00 LBS DRAWING TEMPLATE UPDATED | ADH 10/17/11 | 2309 |
| D | METRIC DIMENSIONS ADDED | ADH 6/11/08 | 1685 |
| C | CHANGE DRAWING NUMBER | GWC 11/29/06 | |
| B | CHANGE WEIGHT | GWC 11/29/06 | |
| A | ADD BUOYANCY | GWC 11/29/06 | |
| REV | DESCRIPTION | BY / DATE | CCN |

| | |
|------------------------------|------------------------------|
| DRAWN / DATE DHJ 7/29/03 | MATERIAL POLYETHYLENE |
| APPRO. / DATE ADH 11/5/07 | |

(A)(E)(F)
NOTE, BUOYANCY 592.00 LBS. (268.53 KG.)

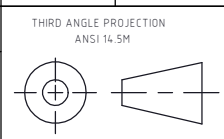


Den Hartog
INDUSTRIES, INC.

Ace Roto-Mold Injection Molding Blow Molding Sowjoy

4010 HOSPERS DRIVE S. BOX 425, HOSPERS, IOWA 51238-0425

ALL DIMENSIONS ARE IN DECIMAL INCHES
TOLERANCES UNLESS OTHERWISE SPECIFIED
POLYETHYLENE METAL
DECIMAL ± .125"
FRACTION ± 1/4"
ANGLE ± 1°
±1% @ 68°F



SHOT WEIGHT:
39 LBS. (17.69 KG.)
SHIPPING WEIGHT:
SEE NOTES.
FINISH:

NOTES: (A) (F)
1.) AF 39 LBS. (17.69 KG.)
2.) FF 50 LBS. (22.68 KG.)

| | | |
|-------------|--------------------|------------------|
| DESCRIPTION | 20 X 96 X 10 FLOAT | |
| SCALE | N.S. | PART NO. 2096-10 |