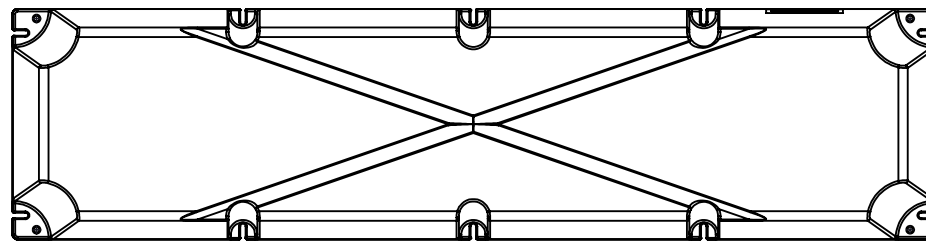
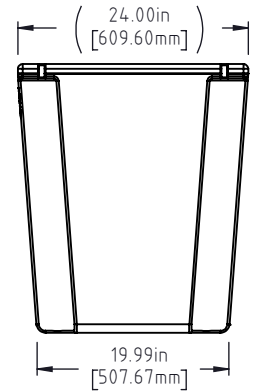
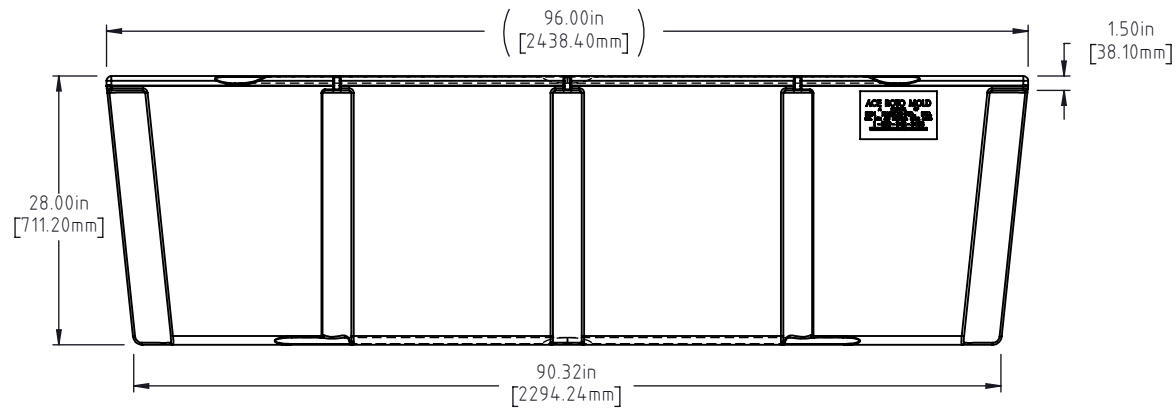
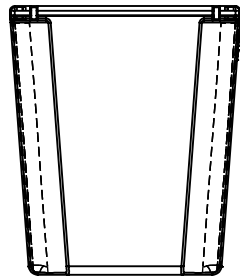
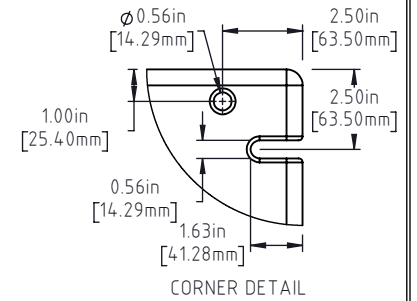
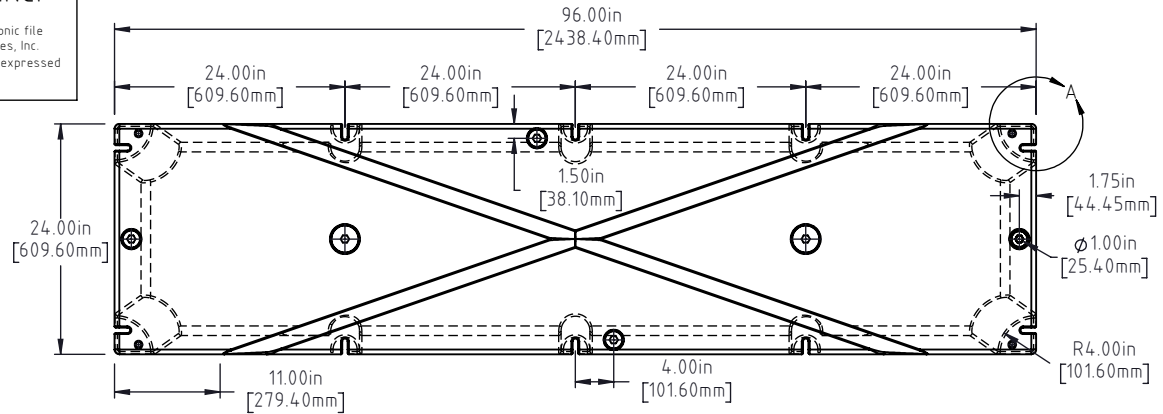



Copyright. All information furnished within this document, electronic file or design correspondence is the property of Den Hartog Industries, Inc. and shall not be used, disclosed to others or copied without the expressed written consent of Den Hartog Industries, Inc.



NOTE: BUOYANCY 1955.9 LBS. (887.18 KG.)

DRAWN / DATE ADH 3/28/2025 APPRD. / DATE BES 9/26/2025					MATERIAL: POLYETHYLENE		 <p>Den Hartog INDUSTRIES, INC. Ace Roto-Mold • Injection Molding • Blow Molding • Sowjoy 4010 HOSPERS DRIVE S. BOX 425, HOSPERS, IOWA 51238-0425</p>	DESCRIPTION 24 X 96 X 28 FLOAT	
REV.	DESCRIPTION	BY	DATE	CCN	SHOT WEIGHT: 56 LB. (25.40 KG.)	NOTES: 1.) AF = 56 LB. (25.40 KG.) 2.) FF = 88 LB. (39.92 KG.) 3.) 0.150 in (3.81 mm) NOM. WALL		SCALE N.S.	PART NO. 2496-28
ALL DIMENSIONS ARE IN DECIMAL INCHES TOLERANCES UNLESS OTHERWISE SPECIFIED		THIRD ANGLE PROJECTION ANSI 14.5M			SHIPPING WEIGHT: SEE NOTES FINISH:				
POLYETHYLENE ±1% @ 68°F		METAL DECIMAL ± .125" FRACTION ± 1/4" ANGLE ± 1°							