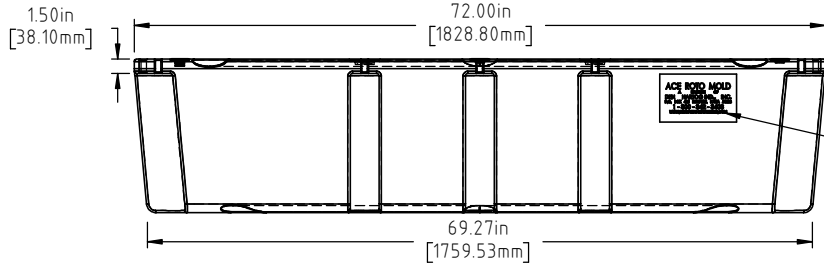
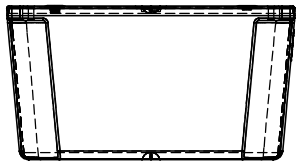
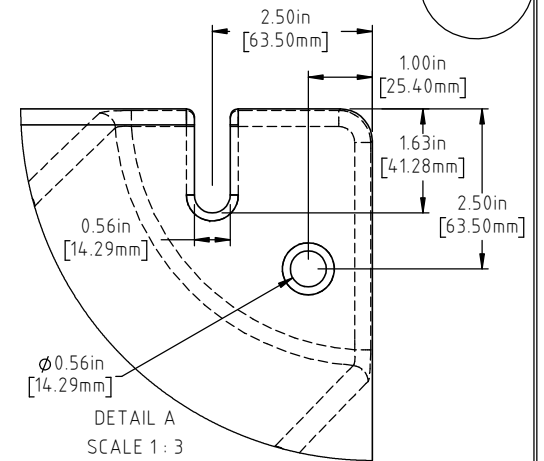
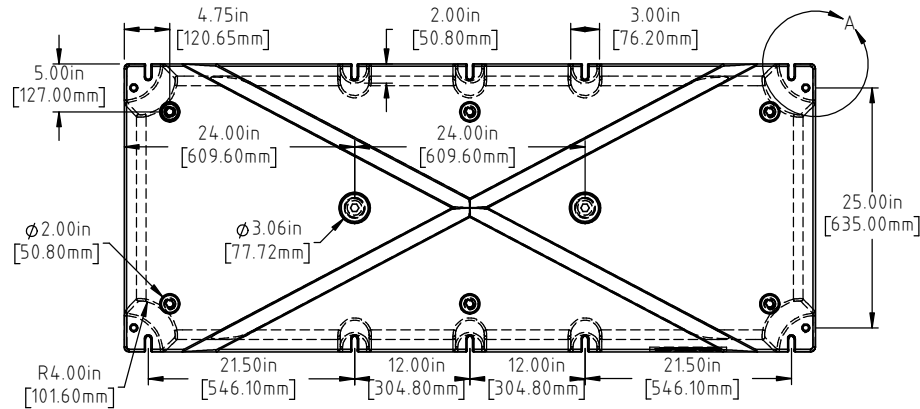
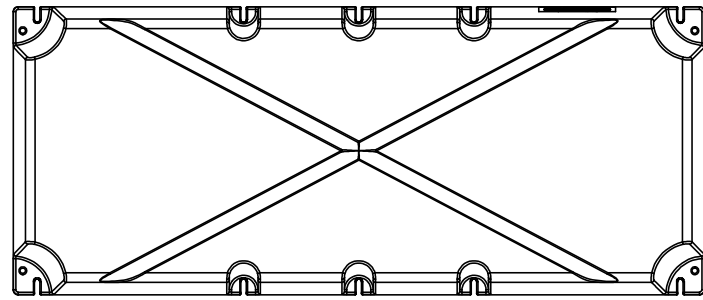
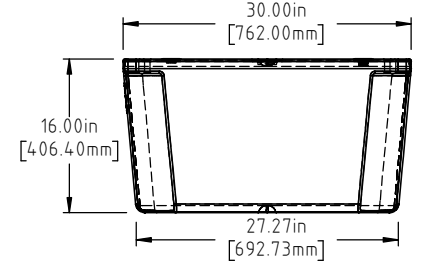


Copyright. All information furnished within this document, electronic file or design correspondence is the property of Den Hartog Industries, Inc. and shall not be used, disclosed to others or copied without the expressed written consent of Den Hartog Industries, Inc.




MOLDED IN
"ACE"
INFORMATION.



NOTE: BUOYANCY IS 1129 LBS.(512.1 KG)

REV	DESCRIPTION	BY / DATE	CCN	DRAWN / DATE ADH 6/25/20	MATERIAL POLYETHYLENE
				APPROD. / DATE BPL 10/20/20	
				SHOT WEIGHT: 38 LBS. (17.24 KG.)	NOTES: 1.) AF 38 LBS. (17.24 KG.) 2.) FF 56 LBS. (25.40 KG.) 3.) 0.150 IN (3.81 mm) NOM. WALL
				SHIPPING WEIGHT: SEE NOTES	
				FINISH:	



Den Hartog
INDUSTRIES, INC.

Ace Roto-Mold Injection Molding Blow Molding Blow Joy

4010 HOSPERS DRIVE S. BOX 425, HOSPERS, IOWA 51238-0425

DESCRIPTION 30 X 72 X 16 FLOAT	
SCALE N.S.	PART NO. 3072-16
SHEET 1 OF 1	

ALL DIMENSIONS ARE IN DECIMAL INCHES
TOLERANCES UNLESS OTHERWISE SPECIFIED

POLYETHYLENE

±1% @ 68°F

