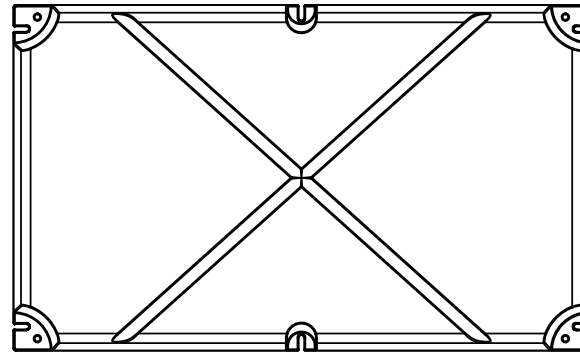
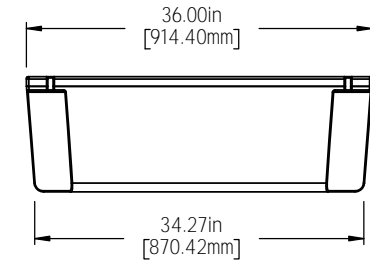
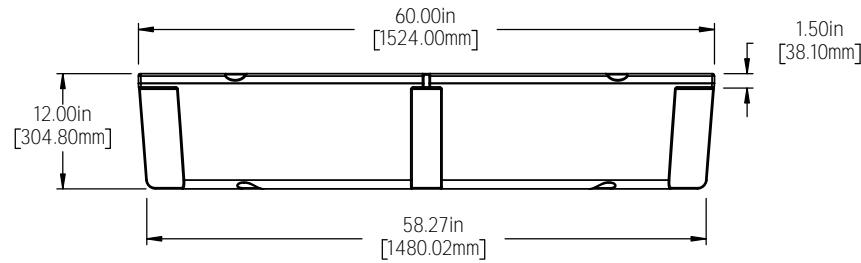
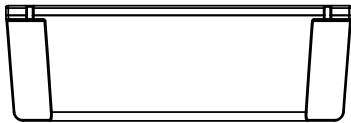
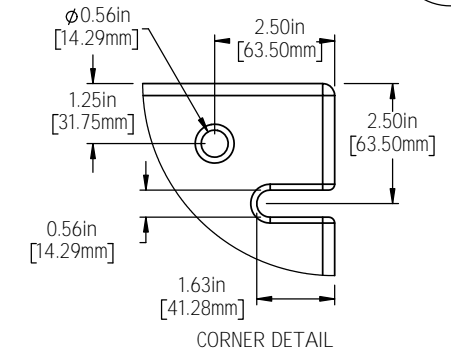
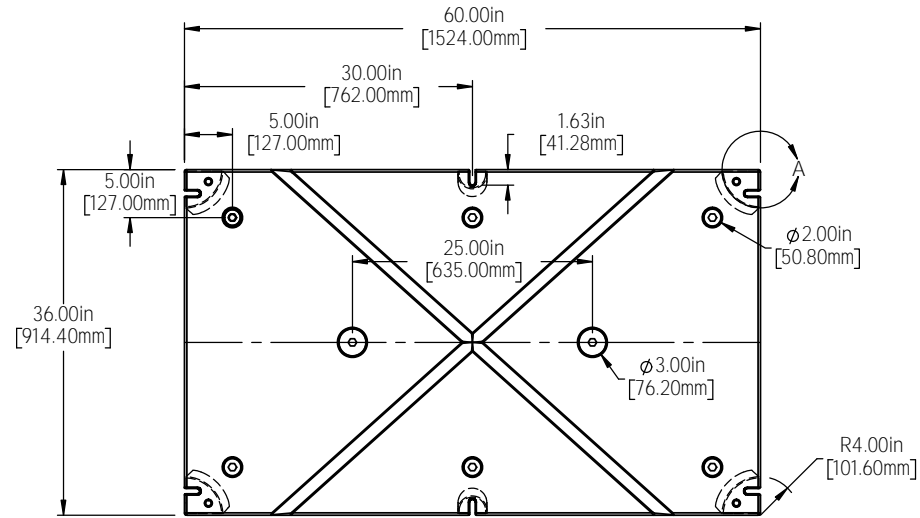


© DEN HARTOG INDUSTRIES, INC.

Copyright. All information furnished within this document, electronic file or design correspondence is the property of Den Hartog Industries, Inc. and shall not be used, disclosed to others or copied without the expressed written consent of Den Hartog Industries, Inc.

3660-12



NOTE: BUOYANCY IS 783 LBS.(355 KG)

				DRAWN / DATE ADH 12/28/15	MATERIAL 10548
				APPRD. / DATE REH 3/10/16	
REV	DESCRIPTION	BY / DATE	CCN	SHOT WEIGHT: 43.00 LBS	NOTES: 1.) AF = 43.00 LB.(19.50 KG) 2.) FF = 58.0 LB. (26.3 KG)
	ALL DIMENSIONS ARE IN DECIMAL INCHES TOLERANCES UNLESS OTHERWISE SPECIFIED	THIRD ANGLE PROJECTION ANSI 14.5M		SHIPPING WEIGHT: SEE NOTES	
	POLYETHYLENE ±1% @ 68°F			FINISH:	
	METAL DECIMAL ± .125" FRACTION ± 1/4" ANGLE ± 1°				



Den Hartog
INDUSTRIES, INC.

Ace Roto-Mold Injection Molding Blow Molding Sowjoy

4010 HOSPERS DRIVE S. BOX 425, HOSPERS, IOWA 51238-0425

DESCRIPTION	36 x 60 x 12 FLOAT	
SCALE	N.S.	PART NO. 3660-12