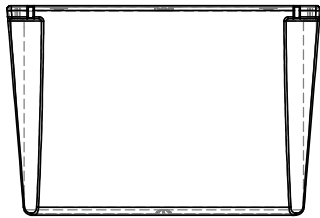
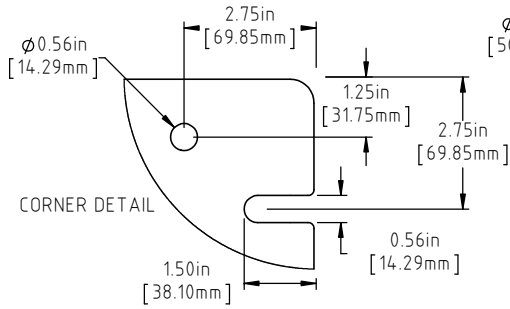
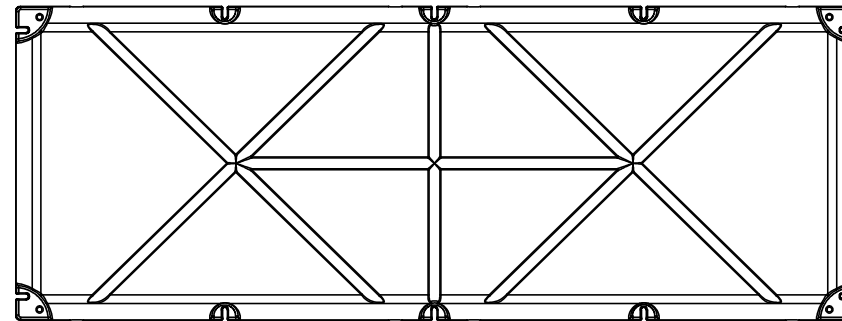
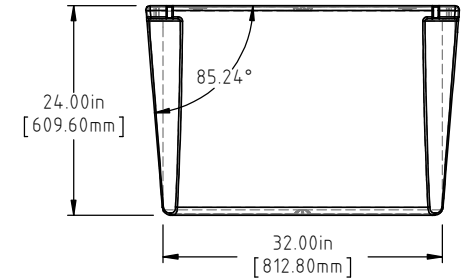
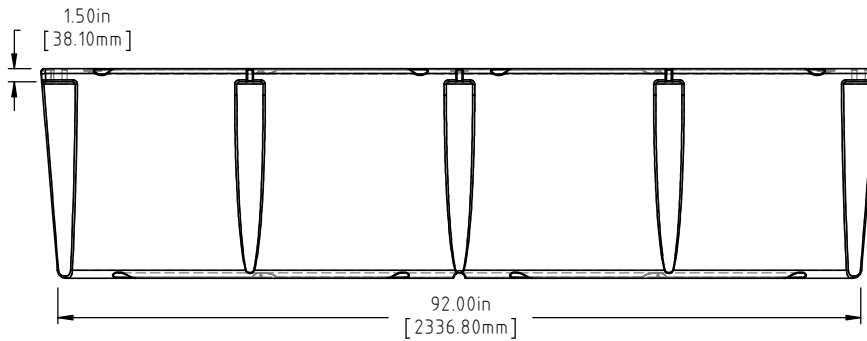
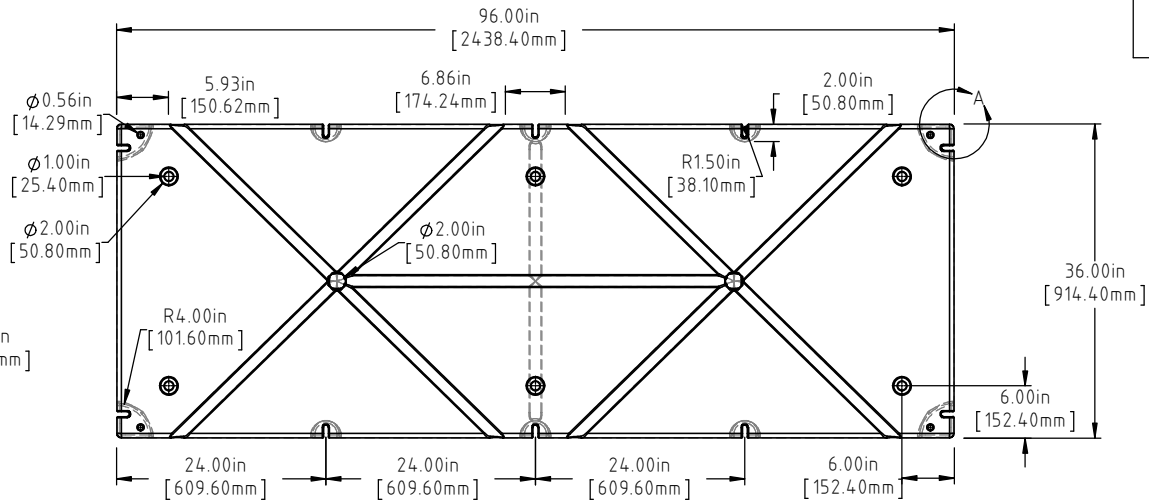


Copyright. All information furnished within this document, electronic file or design correspondence is the property of Den Hartog Industries, Inc. and shall not be used, disclosed to others or copied without the expressed written consent of Den Hartog Industries, Inc.



B



B

A

NOTE: BUOYANCY 2597.00 LBS.(1177.98 KG.)

B	BOTTOM AND SIDE VIEWS ADDED TO PRINT	ADH 12/4/14	2971	DRAWN / DATE DHJ 11/29/06	MATERIAL POLYETHYLENE
A	132 LBS WAS 129 LBS, BUOYANCY NOTE ADDED	ADH 6/22/12	2420	APPRO. / DATE REH 4/6/07	
REV	DESCRIPTION	BY / DATE	CCN		
ALL DIMENSIONS ARE IN DECIMAL INCHES TOLERANCES UNLESS OTHERWISE SPECIFIED		THIRD ANGLE PROJECTION ANSI 14.5M		SHOT WEIGHT: 81 LBS.(33.57 KG.)	NOTES: A 1.) AF 81 LBS.(33.57 KG.) 2.) FF 132 LBS.(59.87 KG) 3.) WALL = .125 MIN. / .180 AVE.
POLYETHYLENE	METAL DECIMAL ± .125" FRACTION ± 1/4" ANGLE ± 1°			SHIPPING WEIGHT: SEE NOTES	
±1% @ 68°F				FINISH:	



Den Hartog
INDUSTRIES, INC.

Ace Roto-Mold Injection Molding Blow Molding Sowjoy

4010 HOSPERS DRIVE S. BOX 425, HOSPERS, IOWA 51238-0425

DESCRIPTION	36 X 96 X 24 FLOAT	
SCALE	N.S.	PART NO. 3696-24