

© DEN HARTOG INDUSTRIES, INC.

ACT2500-LPB

Copyright. All information furnished within this document, electronic file or design correspondence is the property of Den Hartog Industries, Inc. and shall not be used, disclosed to others or copied without the expressed written consent of Den Hartog Industries, Inc.

CAUTION LABEL 19463

**CAUTION**

**DO NOT OVER TIGHTEN BOLTS**

**SNUG UP ALL BOLTS THEN EVENLY TORQUE EACH BOLT TO 10 FT. LB.**

**FAILURE TO HEED MAY RESULT IN BOLT FAILURE AND TANK LEAKAGE**

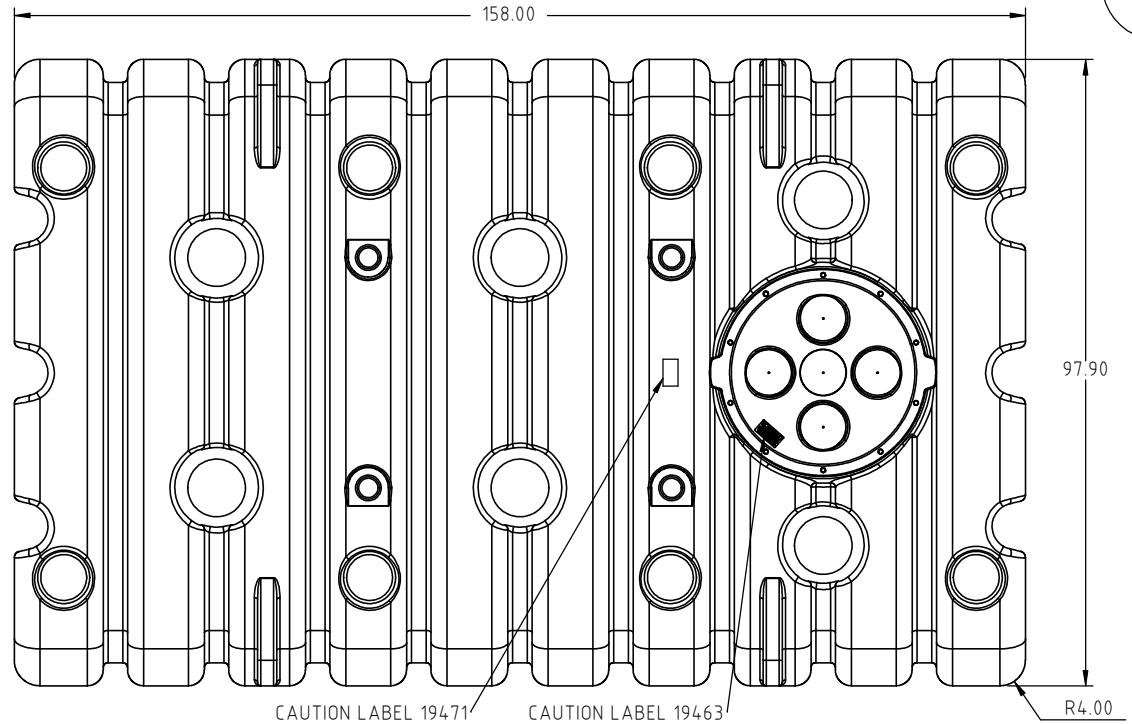
CAUTION LABEL 19471

**CAUTION**

**28" MAXIMUM BURIAL DEPTH TO HERE**

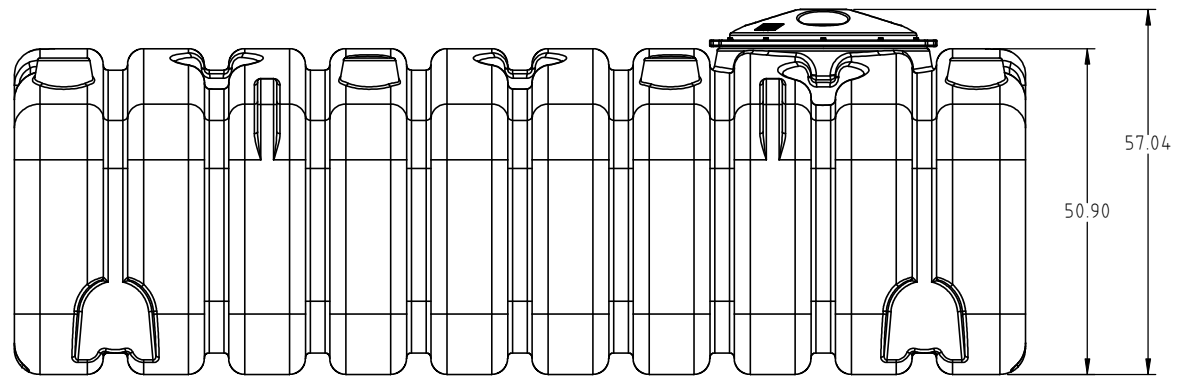
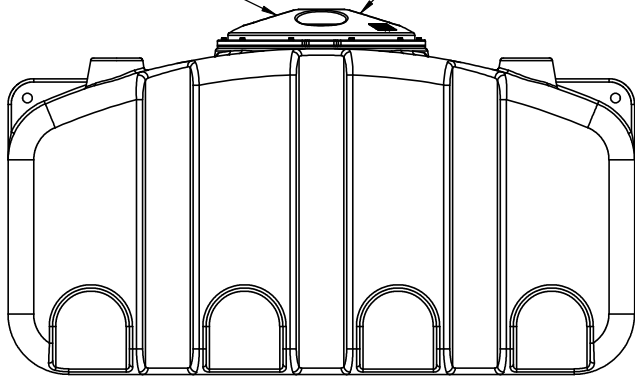
**FAILURE TO HEED MAY RESULT IN TANK FAILURE**

19471



CISTERN BURIAL LID AND GASKET ACT-16053

SEE PRINT 19481 FOR LID INSTALLATION GUIDELINES



DRAWN / DATE ADH 4/8/10		MATERIAL	
APPRO. / DATE REH 4/14/10		NOTES:	
REV	DESCRIPTION	BY / DATE	CCN
ALL DIMENSIONS ARE IN DECIMAL INCHES TOLERANCES UNLESS OTHERWISE SPECIFIED		THIRD ANGLE PROJECTION ANSI 14.5M	
POLYETHYLENE		SHOT WEIGHT:	
±1% @ 68°F		SHIPPING WEIGHT: 1031.00 LBS	
METAL DECIMAL ± .125" FRACTION ± 1/4" ANGLE ± 1°		FINISH:	



**Den Hartog**  
INDUSTRIES, INC.

Acra Roto-Mold Injection Molding Blow Molding Sowjoy

4010 HOSPERS DRIVE S. BOX 425, HOSPERS, IOWA 51238-0425

DESCRIPTION 2500 GALLON LOW PROFILE CISTERN WITH BURIAL LID	
SCALE N.S.	PART NO. ACT2500-LPB