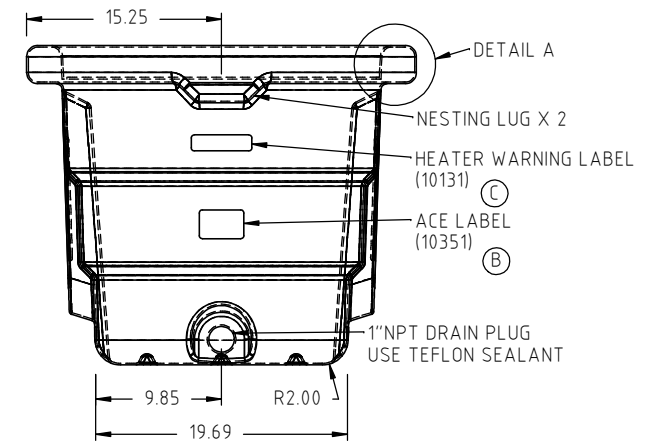
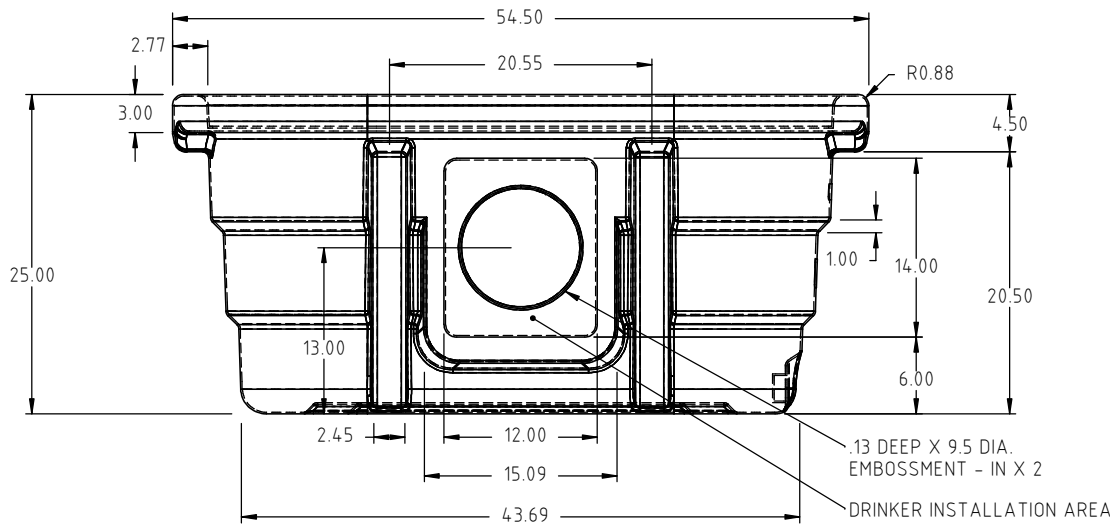
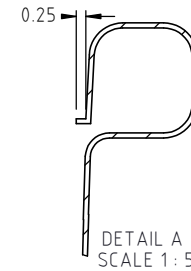
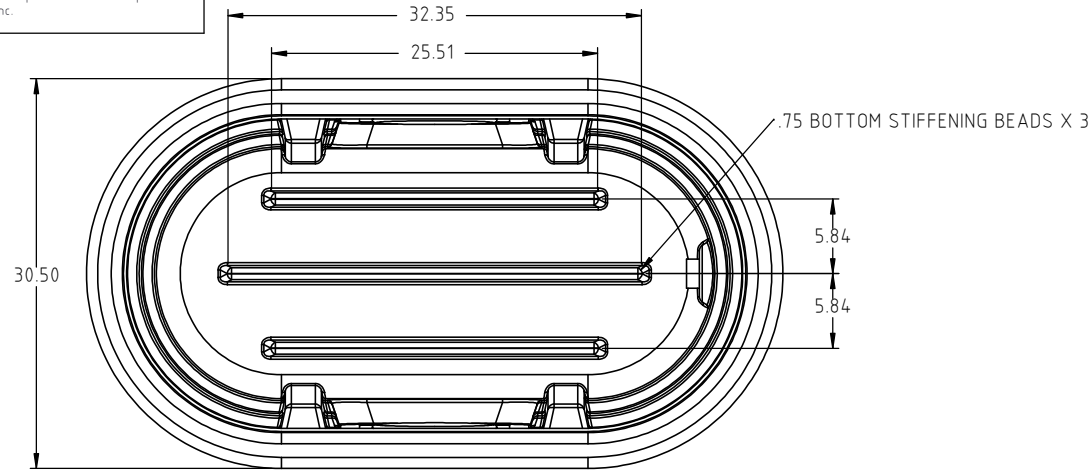


Copyright. All information furnished within this document, electronic file or design correspondence is the property of Den Hartog industries, Inc. and shall not be used, disclosed to others or copied without the expressed written consent of Den Hartog Industries, Inc.



C	SPRUCE GREEN WAS FOREST GREEN LABEL LOCATION CORRECTED	ADH 12/7/12	2539	DRAWN / DATE	MATERIAL
B	LABEL NUMBER ADDED, DRAWING TEMPLATE UPDATED	ADH 8/28/09	1916	REH/5/22/98	1.) POWDER, 5 MELT STD:10577
A	PRINT UPDATED	9/17/98		APPRD. / DATE	
REV	DESCRIPTION	BY / DATE	CCN	ADH 8/31/09	
ALL DIMENSIONS ARE IN DECIMAL INCHES TOLERANCES UNLESS OTHERWISE SPECIFIED		THIRD ANGLE PROJECTION ANSI 14.5M		SHOT WEIGHT:	NOTES: (C)
POLYETHYLENE		METAL DECIMAL ± .125" FRACTION ± 1/4" ANGLE ± 1°		27.00 LBS	1.) NOM. WALL = .150
±1% @ 68°F				SHIPPING WEIGHT:	2.) STD. COLOR TO BE SPRUCE GREEN
				FINISH:	



Den Hartog
INDUSTRIES, INC.

Ace Roto-Mold Injection Molding Blow Molding Sowjoy

4010 HOSPERS DRIVE S. BOX 425, HOSPERS, IOWA 51238-0425

DESCRIPTION	ACE / RE-224 POLY STOCK TANK	
SCALE	N.S.	PART NO. ARM-10116