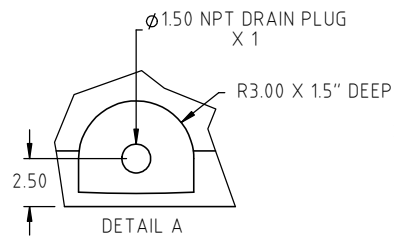
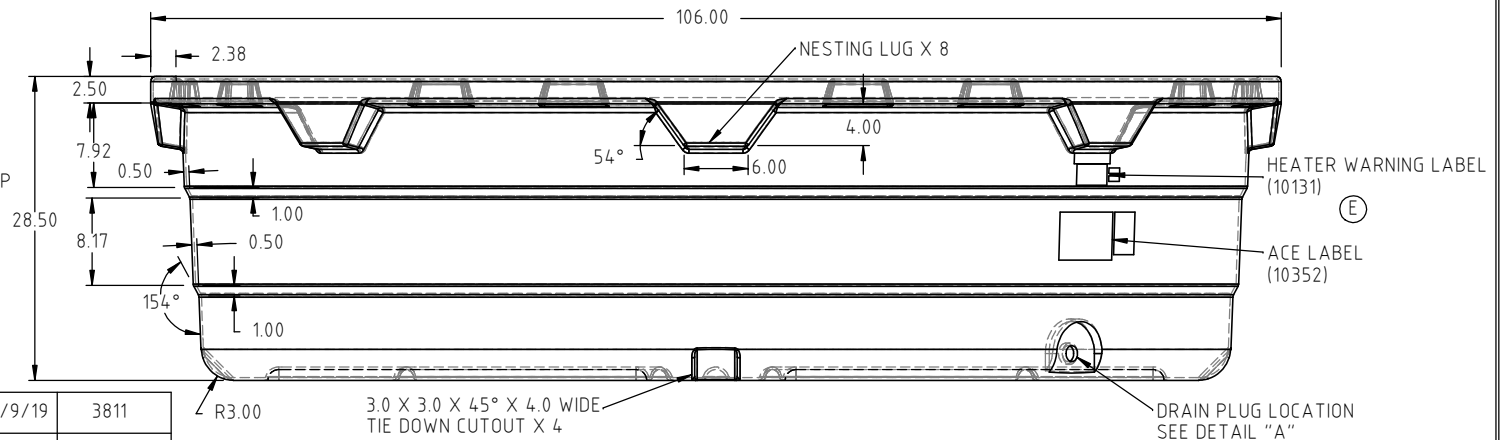
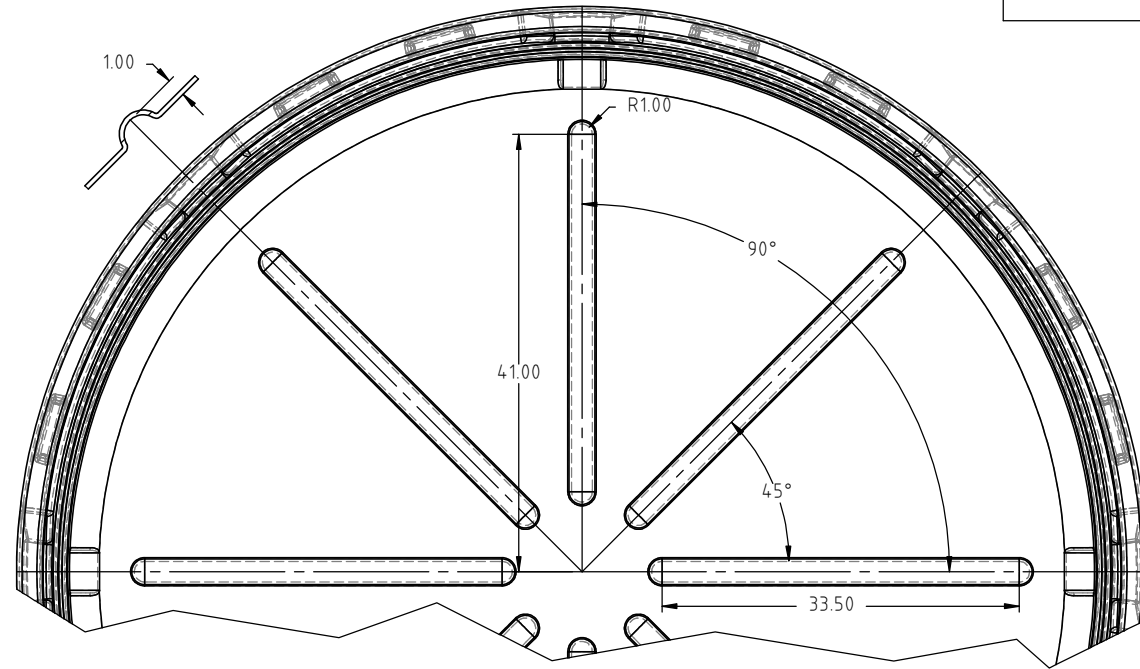


Copyright. All information furnished within this document, electronic file or design correspondence is the property of Den Hartog industries, Inc. and shall not be used, disclosed to others or copied without the expressed written consent of Den Hartog Industries, Inc.



| | | | |
|-----|--|-------------|------|
| F | DRINKER CUTOUTS REMOVED | ADH 7/9/19 | 3811 |
| E | SPRUCE GREEN WAS FOREST GREEN LABEL LOCATION CORRECTED | ADH 12/7/12 | 2539 |
| D | LABEL NUMBER ADDED, DRAWING TEMPLATE UPDATED | ADH 8/31/09 | 1916 |
| C | CAPACITY CORRECTED | 10/03/01 | |
| B | 4 NESTING LUGS ADDED | 05/07/01 | |
| A | BOTTOM RIBBING CHANGED | 11/6/98 | |
| REV | DESCRIPTION | BY / DATE | CCN |

| | |
|----------------|---------------------------------|
| DRAWN / DATE | MATERIAL |
| REH/9/29/98 | 1.) POWDER, 5 MELT STD:10577 |
| APPROD. / DATE | |
| ADH 8/31/09 | |

MAX. CAPACITY - LEVEL = 920 U.S. GAL.

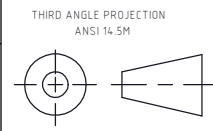


Den Hartog
INDUSTRIES, INC.

Ace Roto-Mold Injection Molding Blow Molding Sowjoy

4010 HOSPERS DRIVE S. BOX 425, HOSPERS, IOWA 51238-0425

ALL DIMENSIONS ARE IN DECIMAL INCHES
TOLERANCES UNLESS OTHERWISE SPECIFIED
POLYETHYLENE METAL
DECIMAL ± .125"
FRACTION ± 1/4"
ANGLE ± 1°
±1% @ 68°F



| | |
|------------------|---------|
| SHOT WEIGHT: | 140 LBS |
| SHIPPING WEIGHT: | 137 LBS |
| FINISH: | |

NOTES:
1.) NOM. WALL = .250
2.) STD. COLOR TO BE SPRUCE GREEN

| | | |
|-------------|----------------------------|--------------------|
| DESCRIPTION | ACE / R922 POLY STOCK TANK | |
| SCALE | N.S. | PART NO. ARM-10135 |