

© DEN HARTOG INDUSTRIES, INC.

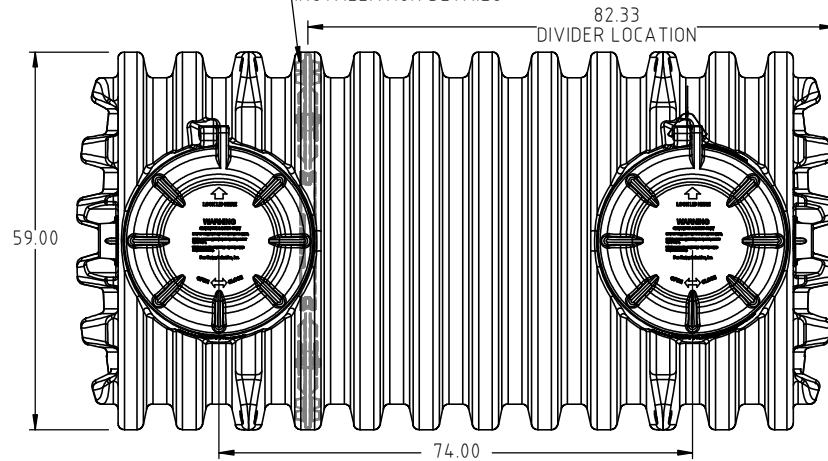
Copyright. All information furnished within this document, electronic file or design correspondence is the property of Den Hartog Industries, Inc. and shall not be used, disclosed to others or copied without the expressed written consent of Den Hartog Industries, Inc.

(A) REFERENCE PUBLICATION 10039 FOR SEPTIC TANKS OR PUBLICATION 10149 FOR CISTERN TANKS FOR SPECIFIC INSTALLATION GUIDELINES.

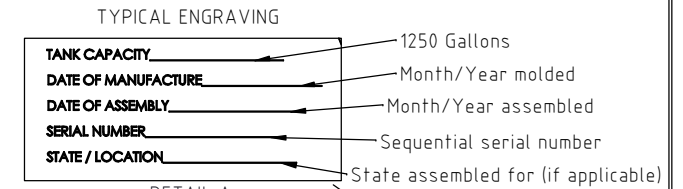
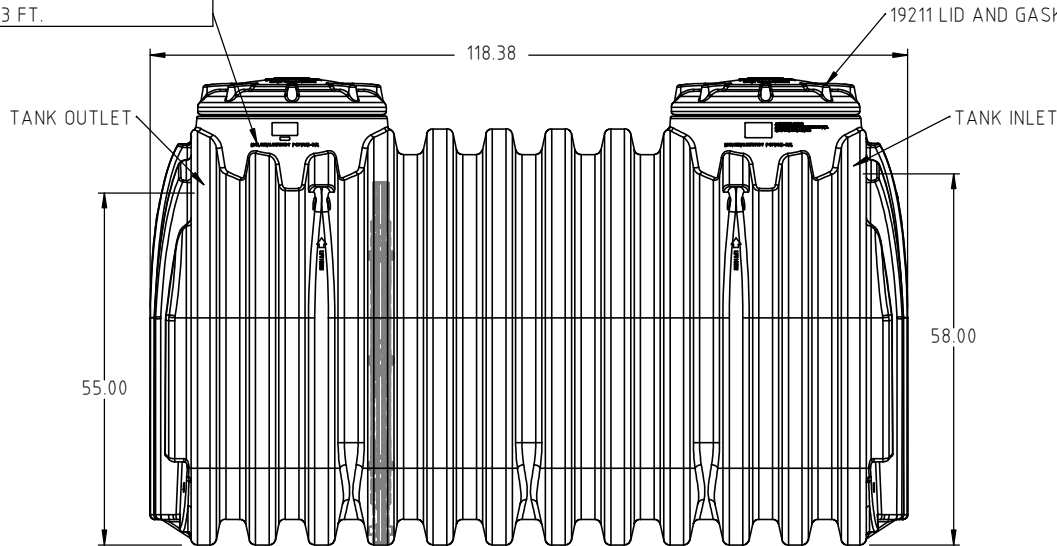
FACTORY INSTALLED DIVIDER PANEL
REFERENCE DRAWING BY STATE FOR
INSTALLATION DETAILS

AST-1250-2

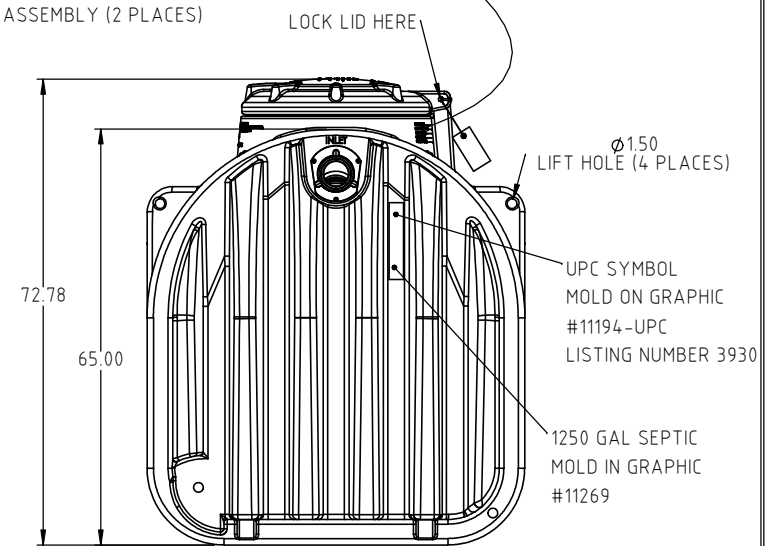
C



MAX. BURIAL DEPTH TO TOP OF TANK - 3 FT.



DETAIL A
SCALE 1:5



C	PRINT DIMENSIONS/LAYOUT UPDATED. NSF GRAPHIC REMOVED.	ADH 2/28/17	3354	DRAWN / DATE REH 3/15/04	MATERIAL SEE COMPONENTS
B	ADD UPC & NSF GRAPHIC	DHJ 5/25/07		APPRD. / DATE REH 3/15/04	
A	ADD PUBLICATION REF.	NVE 9/30/05			
REV	DESCRIPTION	BY / DATE	CCN		
ALL DIMENSIONS ARE IN DECIMAL INCHES TOLERANCES UNLESS OTHERWISE SPECIFIED		THIRD ANGLE PROJECTION ANSI 14.5M		SHOT WEIGHT: 4.12.00 LBS.	NOTES: 1.) TANK NOM. WALL @ .250 2.) YELLOW COLOR
POLYETHYLENE ±1% @ 68°F		METAL DECIMAL ± .125" FRACTION ± 1/4" ANGLE ± 1°		SHIPPING WEIGHT: FINISH:	



Den Hartog
INDUSTRIES, INC.

Ace Roto-Mold Injection Molding Blow Molding Sowjoy

4010 HOSPERS DRIVE S. BOX 425, HOSPERS, IOWA 51238-0425

DESCRIPTION	1250 GAL. TWO COMPARTMENT SEPTIC TANK ASSEMBLY	
SCALE	N.S.	PART NO. AST-1250-2