

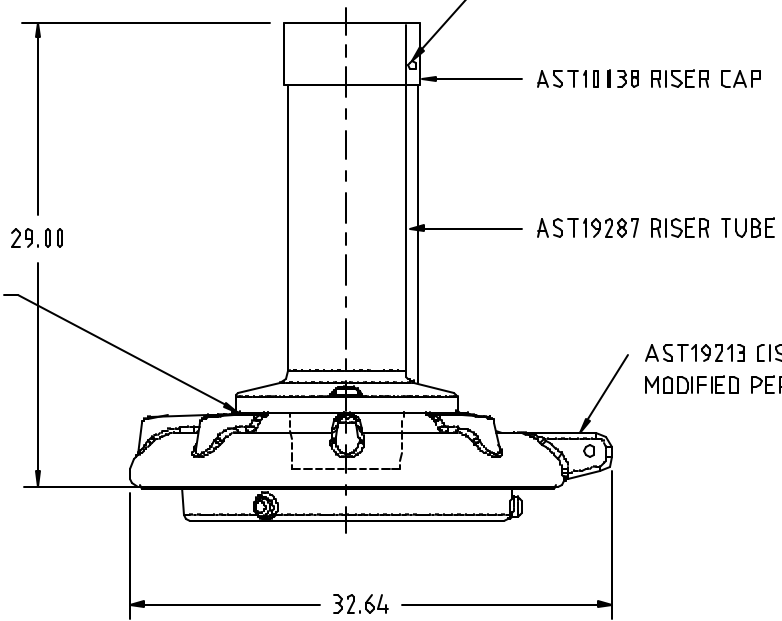
DEN HARTOG INDUSTRIES, INC.

Copyright: All information furnished within this document, electronic file or design correspondence is the property of Den Hartog Industries, Inc. and shall not be used, disclosed to others or copied without the expressed written consent of Den Hartog Industries, Inc.

AST1925B

A

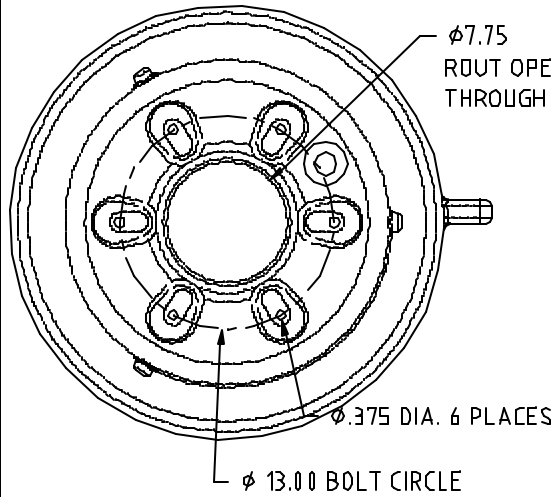
SECURE LID WITH 19318 NYLON TIE



AST19291 RISER GASKET HERE

AST19213 CISTERN TANK LID
MODIFIED PER DIAGRAM A

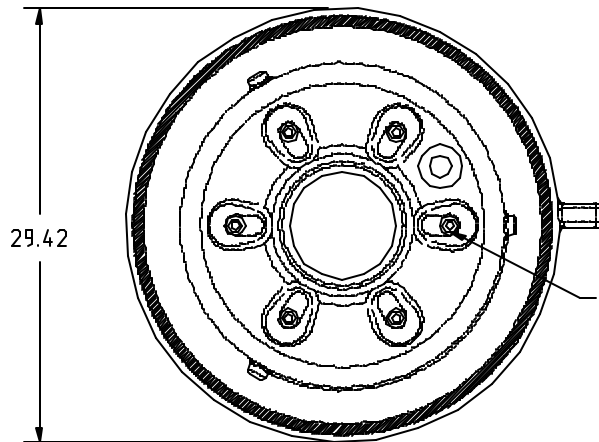
DIAGRAM A



φ7.75
ROUT OPENING
THROUGH

φ.375 DIA. 6 PLACES


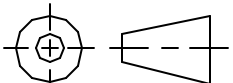
φ 13.00 BOLT CIRCLE



29.42

FASTEN RISER TO LID WITH:

- 6 EA. 11019 5/16" X 2 BOLTS
- 12 EA. 11320 5/16" FLAT WASHERS
- 6 EA. 11280 5/16" NYLOK NUTS

		DRAWN / DATE REH / 5/11/14	MATERIAL	 <p>Ace Roto-Mold A DIVISION OF DEN HARTOG INDUSTRIES, INC.</p>	
A	GENERAL REVISION FOR ACCURACY 1/13/06	APPRD. / DATE REH / 5/11/14			
REV	DESCRIPTION DATE APPRD			SCALE N.S.	PART NO. AST19258
ALL DIMENSIONS ARE IN DECIMAL INCHES TOLERANCES UNLESS OTHERWISE SPECIFIED $\pm 1\% @ 68^{\circ} F$		THIRD ANGLE PROJECTION ANSI 14.5M 	NOTES: WHITE COLOR		