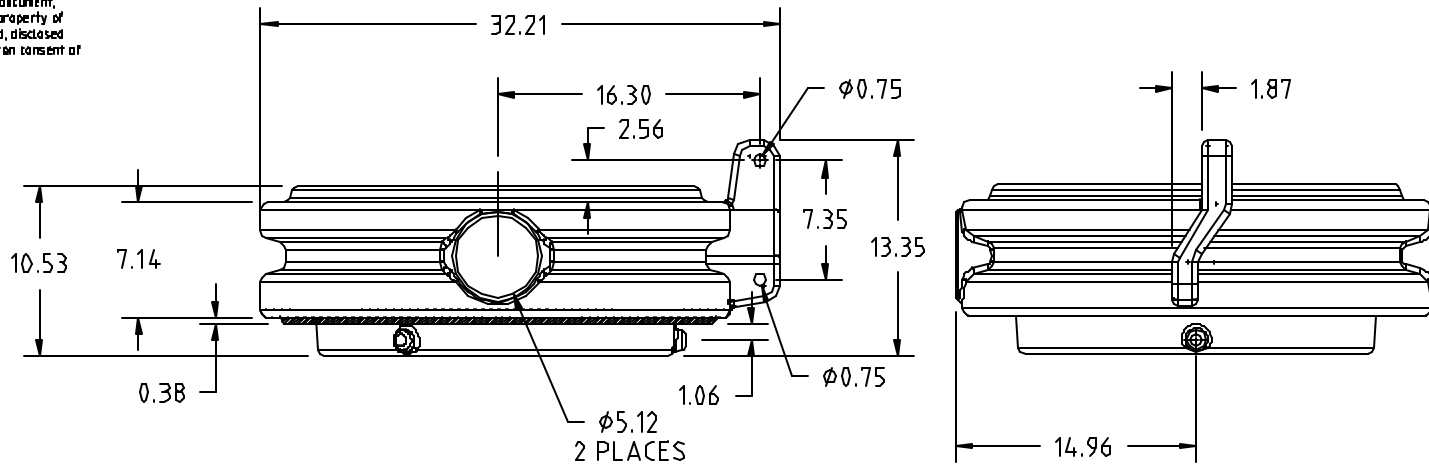
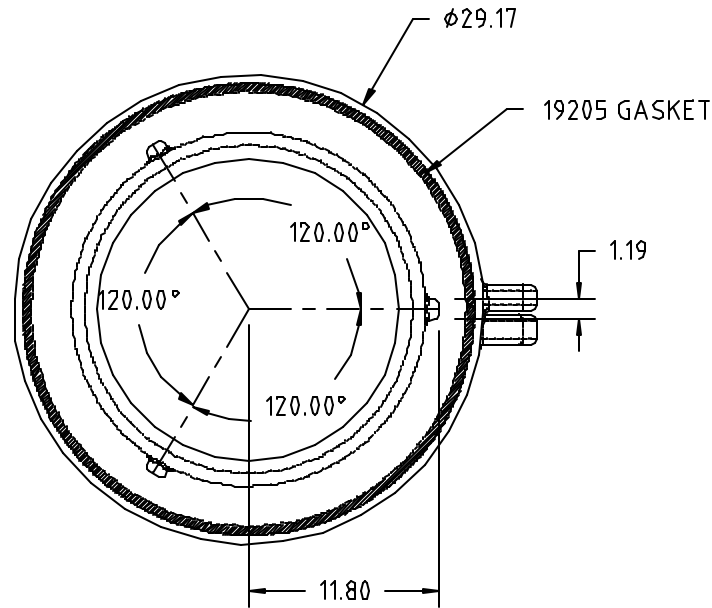



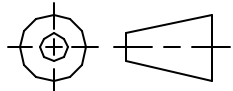
DEN HARTOG INDUSTRIES, INC.

Copyright. All information furnished within this document, electronic file or design correspondence is the property of Den Hartog Industries, Inc. and shall not be used, disclosed to others or copied without the expressed written consent of Den Hartog Industries, Inc.



TO INSURE UNIFORM GASKET
INSTALLATION DEPTH USE
ROLLER INSTALLATION TOOL



				DRAWN / DATE REH / 5/25/15		MATERIAL		 Ace Roto-Mold A DIVISION OF DEN HARTOG INDUSTRIES, INC.			
				APPRD. / DATE REH / 5/25/15		11421 NATURAL POWDER					
REV	DESCRIPTION	DATE	APPRO			CLIENT / DESCRIPTION		7" CISTERN TANK EXTENSION ASSEMBLY			
ALL DIMENSIONS ARE IN DECIMAL INCHES TOLERANCES UNLESS OTHERWISE SPECIFIED $\pm 1\% @ 68^\circ F$				THIRD ANGLE PROJECTION ANSI 1:5H 		NOTES: 1. NOM. WALL @ .50 2. NATURAL EGLDR 3. SHOT WEIGHT 13 LBS.		SCALE	N.S.	PART NO.	19379