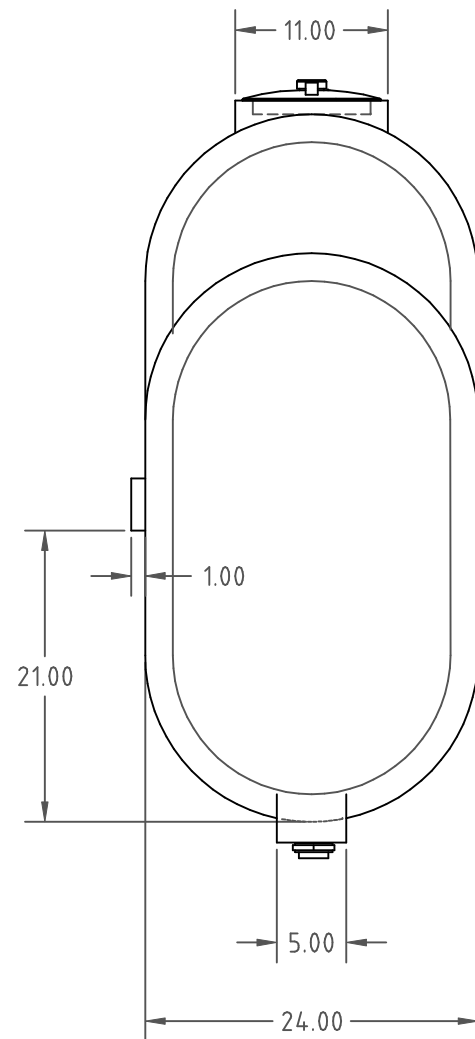
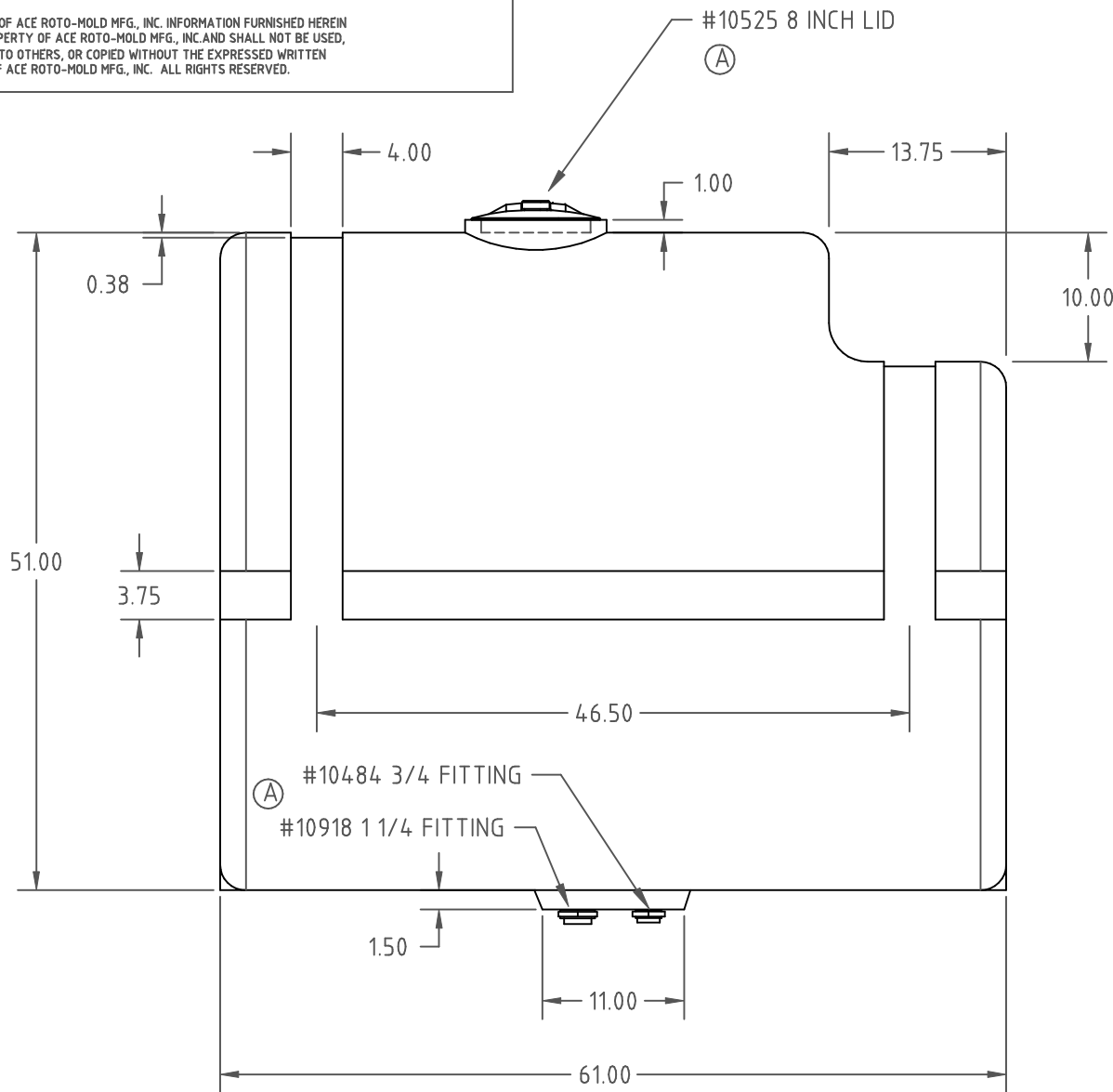


PROPRIETARY DATA

PROPERTY OF ACE ROTO-MOLD MFG., INC. INFORMATION FURNISHED HEREIN IS THE PROPERTY OF ACE ROTO-MOLD MFG., INC. AND SHALL NOT BE USED, DISCLOSED TO OTHERS, OR COPIED WITHOUT THE EXPRESSED WRITTEN CONSENT OF ACE ROTO-MOLD MFG., INC. ALL RIGHTS RESERVED.

CAW0250-24

A



					DRAWN / DATE DHJ 2/8/95	MATERIAL
A	ADD LID	4/24/08	DHJ			HDPE OR EQUIVALENT REFERENCE MATERIAL DATA SHEET FOR SPECIFIC PROPERTIES.
A	ADD STANDARD FITTINGS	4/24/08	DHJ		APPRD. / DATE ADH 11/7/07	
REV	DESCRIPTION	DATE	APPRD	CCN		
ALL DIMENSIONS ARE IN DECIMAL INCHES TOLERANCES UNLESS OTHERWISE SPECIFIED $\pm 1\% @ 68^\circ F$					THIRD ANGLE PROJECTION ANSI 14.5M 	NOTES: 1. WHITE OR YELLOW COLOR 2. SHOT WEIGHT 95 LBS.

ACE ROTO-MOLD
 A DIVISION OF DEN HARTOG INDUSTRIES, INC.
 4018 HOSPERS DRIVE SOUTH, BOX 421, HOSPERS, IOWA 51238

CLIENT / DESCRIPTION
 250 GALLON CUT-A-WAY TANK

SCALE: N.S. PART NO.: CAW0250-24