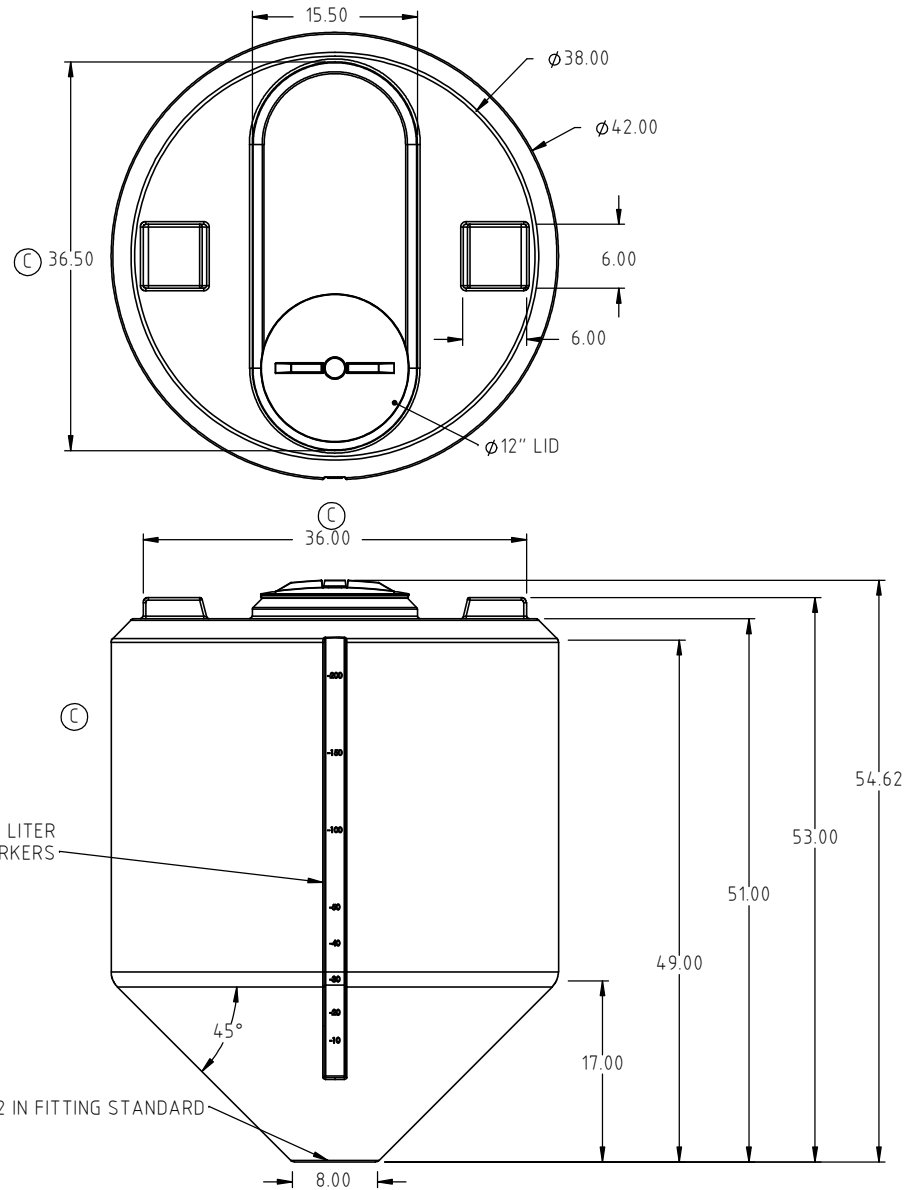


Copyright. All information furnished within this document, electronic file or design correspondence is the property of Den Hartog industries, Inc. and shall not be used, disclosed to others or copied without the expressed written consent of Den Hartog Industries, Inc.



C	REMOVE RIB, DIMENSIONS/ DRAWING TEMPLATE UPDATED	DHJ 5/25/12	2427	DRAWN / DATE REH 8/27/97	MATERIAL HDPE OR EQUIVALENT REFERENCE MATERIAL DATA SHEET FOR SPECIFIC PROPERTIES.
B	UPDATED SUMP AND HEIGHT DIMS.	NVE 6/30/06		APPRD. / DATE GWC 4/18/07	
A	ISOLATED STAND AND TANK	NVE 5/12/06			
REV	DESCRIPTION	BY / DATE	CCN		
ALL DIMENSIONS ARE IN DECIMAL INCHES TOLERANCES UNLESS OTHERWISE SPECIFIED		THIRD ANGLE PROJECTION ANSI 14.5M		SHOT WEIGHT: 75.00 LBS.	NOTES: 1.) NOM. WALL @ .302
POLYETHYLENE		METAL DECIMAL ± .125" FRACTION ± 1/4" ANGLE ± 1°		SHIPPING WEIGHT:	
±1% @ 68° F				FINISH:	



Den Hartog
INDUSTRIES, INC.

Acro Roto-Mold Injection Molding Blow Molding Sowjoy

4010 HOSPERS DRIVE S. BOX 425, HOSPERS, IOWA 51238-0425

DESCRIPTION	200 GALLON CONE BOTTOM TANK	
SCALE	N.S.	PART NO. CB0200-42