

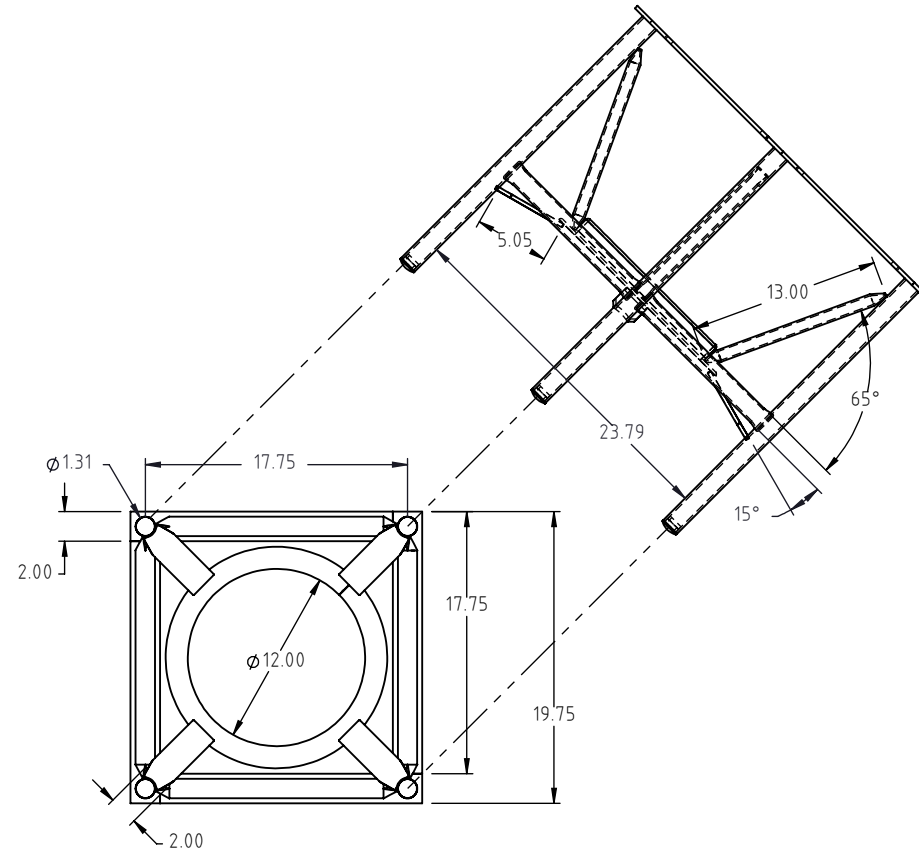
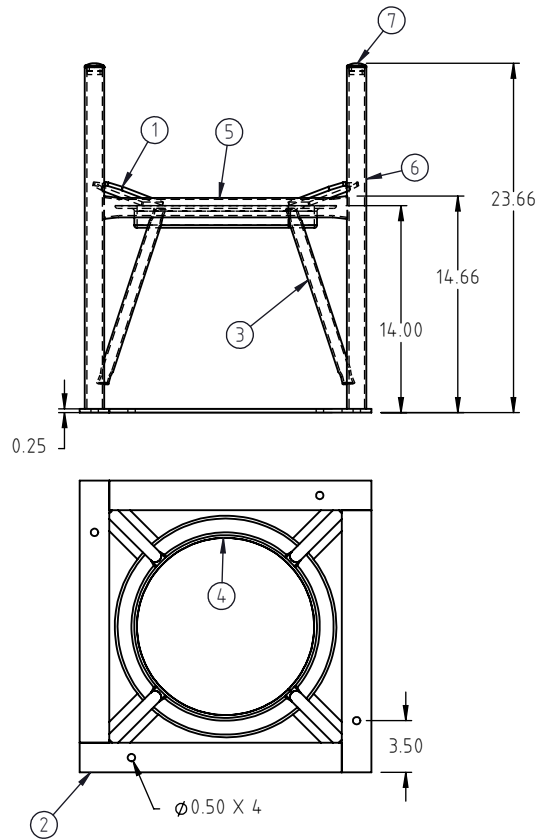
© DEN HARTOG INDUSTRIES, INC.

Copyright. All information furnished within this document, electronic file or design correspondence is the property of Den Hartog industries, Inc. and shall not be used, disclosed to others or copied without the expressed written consent of Den Hartog Industries, Inc.

ITEM NO.	PART NUMBER	DESCRIPTION	QTY.
1	CB023-15ST-1	TANK SUPPORT STRAP	4
2	CB023-15ST-2	BASE STRAP	4
3	CB023-15ST-3	LOW SUPPORT	4
4	RAR-12	ROLLED ANGLE, 12" PLAIN	1
5	CB023-15ST-5	SIDE TUBE	4
6	CB023-15ST-6	LEG TUBE	4
7	12583	1" PIPE PLUG	4

CB023-15ST

A



A		UPDATED SHEET FORMAT		SRA	7/20/2023	4447	APPROD. / DATE	ADH 1/3/2011	MATERIAL : SEE COMPONENTS
REV.		DESCRIPTION		BY	DATE	CCN	REH 8/24/2011		
ALL DIMENSIONS ARE IN DECIMAL INCHES TOLERANCES UNLESS OTHERWISE SPECIFIED				THIRD ANGLE PROJECTION ANSI 14.5M		SHOT WEIGHT:		NOTES:	
POLYETHYLENE		METAL		SHIPPING WEIGHT:		37.00 LBS			
±1% @ 68° F		DECIMAL ± .125" FRACTION ± 1/4" ANGLE ± 1°		FINISH:		Powder Coat			



**Den Hartog**  
**INDUSTRIES, INC.**

Ace Roto-Mold • Injection Molding • Blow Molding • Sowjoy  
4010 HOSPERS DRIVE S. BOX 425, HOSPERS, IOWA 51238-0425

DESCRIPTION		CB, STAND 23" DIA 15 DEG	
SCALE	N.S.	PART NO.	CB023-15ST
SHEET		1 OF 1	