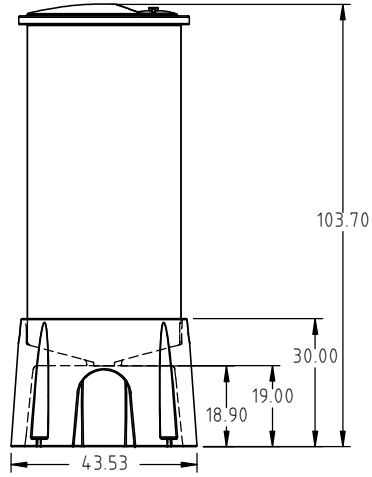
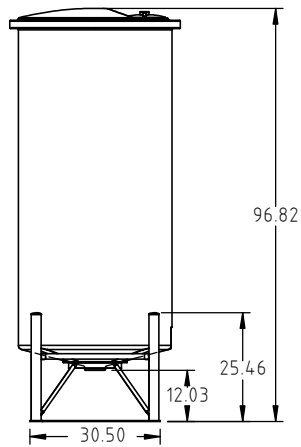


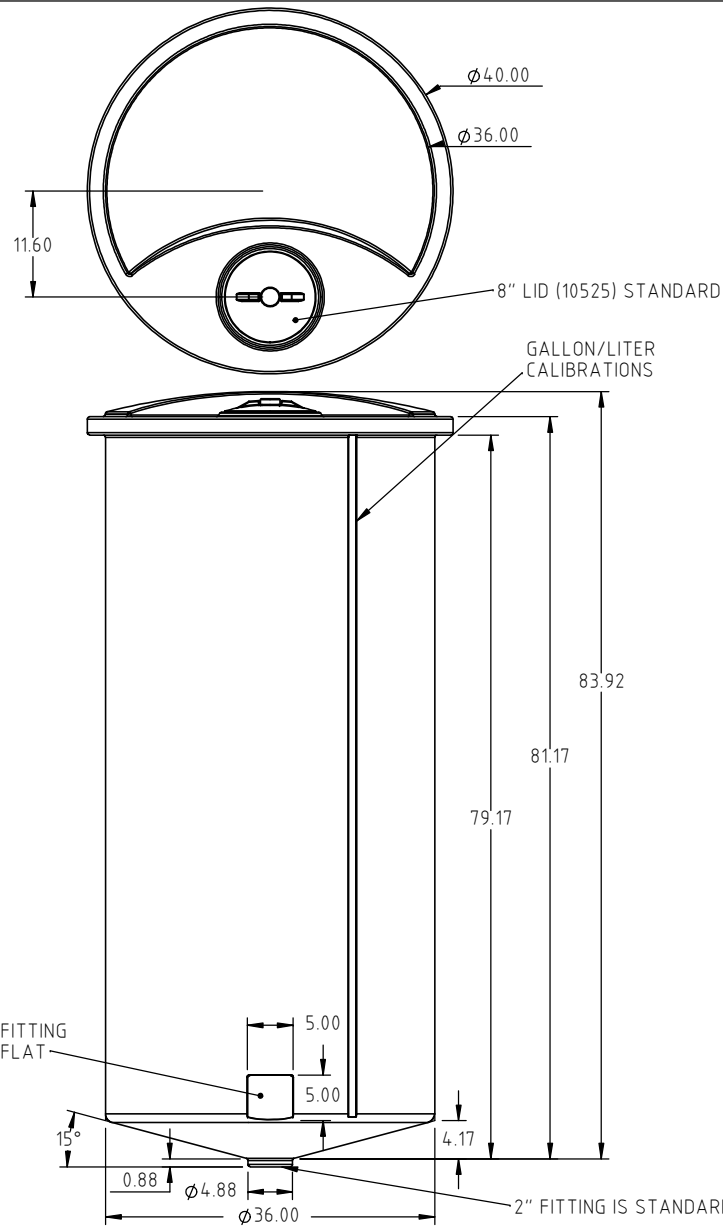
Copyright. All information furnished within this document, electronic file or design correspondence is the property of Den Hartog Industries, Inc. and shall not be used, disclosed to others or copied without the expressed written consent of Den Hartog Industries, Inc.




OC036-STP POLY STAND



CB036-15ST METAL STAND



REV	DESCRIPTION	BY / DATE	CCN	DRAWN / DATE ADH 7/12/10	MATERIAL 10420
				APPROD. / DATE REH 4/18/11	
				SHOT WEIGHT: 90.00 LBS	NOTES: 1.) 0.22 WALL THICKNESS
				SHIPPING WEIGHT: 92.00 LBS	
				FINISH:	



**Den Hartog**  
INDUSTRIES, INC.

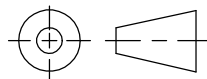
*Acra Roto-Mold Injection Molding Blow Molding Sowjey*

4010 HOSPERS DRIVE S. BOX 425, HOSPERS, IOWA 51238-0425

DESCRIPTION 36" DIA. X 325 GALLON CONE BOTTOM	
SCALE N.S.	PART NO. CB0325-36

ALL DIMENSIONS ARE IN DECIMAL INCHES  
TOLERANCES UNLESS OTHERWISE SPECIFIED

THIRD ANGLE PROJECTION  
ANSI 14.5M



POLYETHYLENE  
±1% @ 68°F

METAL  
DECIMAL ± .125"  
FRACTION ± 1/4"  
ANGLE ± 1°