

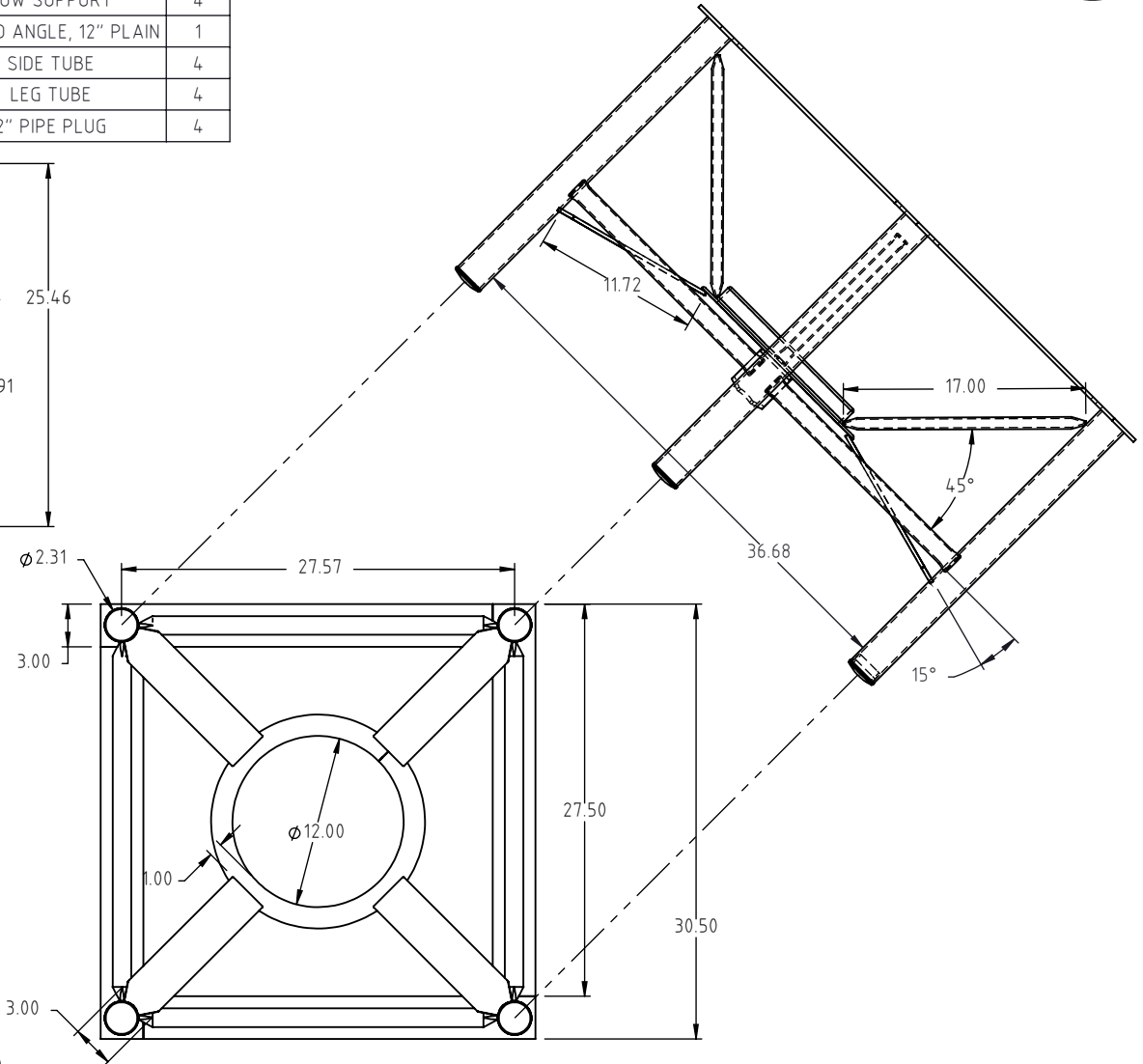
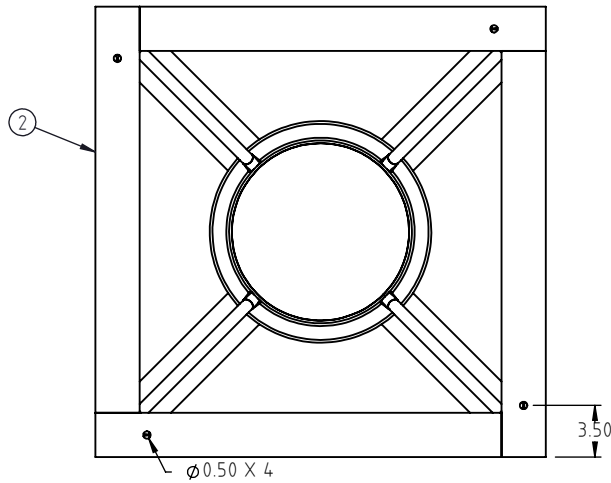
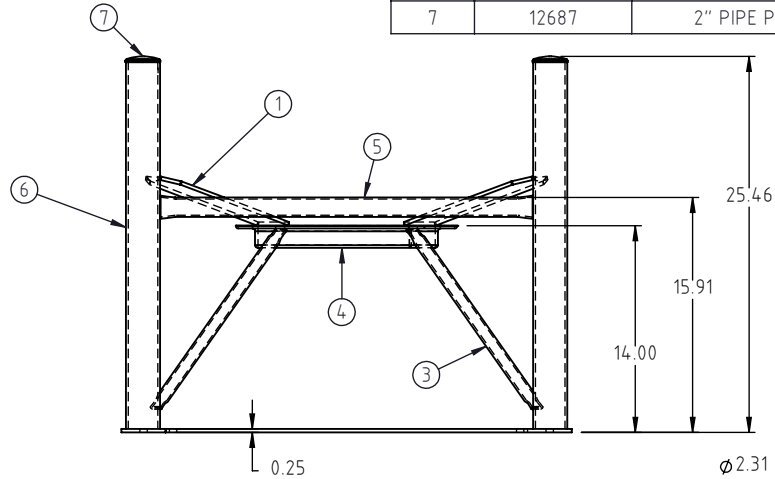
© DEN HARTOG INDUSTRIES, INC.

Copyright. All information furnished within this document, electronic file or design correspondence is the property of Den Hartog Industries, Inc. and shall not be used, disclosed to others or copied without the expressed written consent of Den Hartog Industries, Inc.

ITEM NO.	PART NUMBER	DESCRIPTION	QTY.
1	CB036-15ST-1	TANK SUPPORT STRAP	4
2	CB036-15ST-2	BASE STRAP	4
3	CB036-15ST-3	LOW SUPPORT	4
4	RAR-12	ROLLED ANGLE, 12" PLAIN	1
5	CB036-15ST-5	SIDE TUBE	4
6	CB036-15ST-6	LEG TUBE	4
7	12687	2" PIPE PLUG	4

CB036-15ST

A



DRAWN / DATE ADH 2/2/2011	MATERIAL : SEE COMPONENTS
APPRD. / DATE REH 4/18/2011	
SHOT WEIGHT:	NOTES:
SHIPPING WEIGHT: 84.00 LBS	
FINISH: Powder Coat	



**Den Hartog  
INDUSTRIES, INC.**

Ace Roto-Mold • Injection Molding • Blow Molding • Sowjoy  
4010 HOSPERS DRIVE S. BOX 425, HOSPERS, IOWA 51238-0425

A	UPDATED SHEET FORMAT	SRA	7/20/2023	4447
REV.	DESCRIPTION	BY	DATE	CCN
ALL DIMENSIONS ARE IN DECIMAL INCHES TOLERANCES UNLESS OTHERWISE SPECIFIED		THIRD ANGLE PROJECTION ANSI 14.5M		
POLYETHYLENE ±1% @ 68°F	METAL DECIMAL ± .125" FRACTION ± 1/4" ANGLE ± 1°			

DESCRIPTION	CB, STAND 36" DIA 15 DEG		
SCALE	N.S.	PART NO.	CB036-15ST
SHEET	1 OF 1		