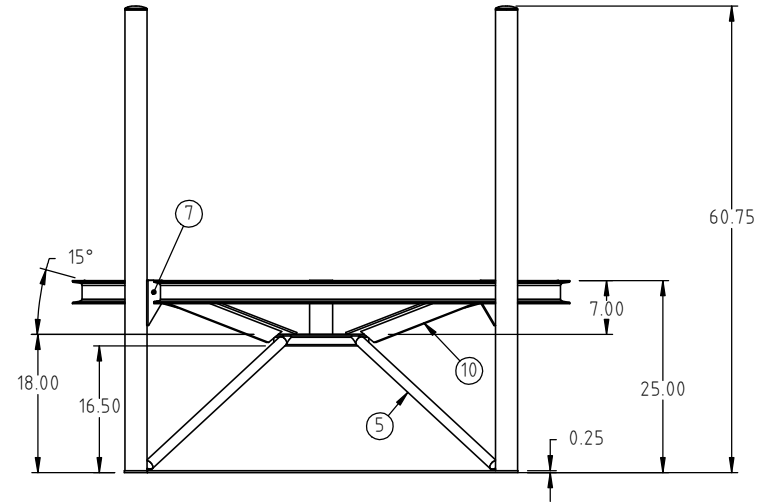
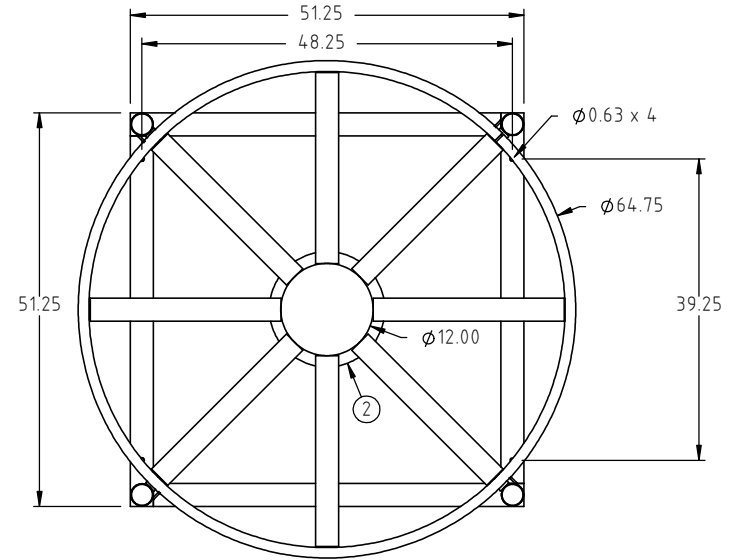
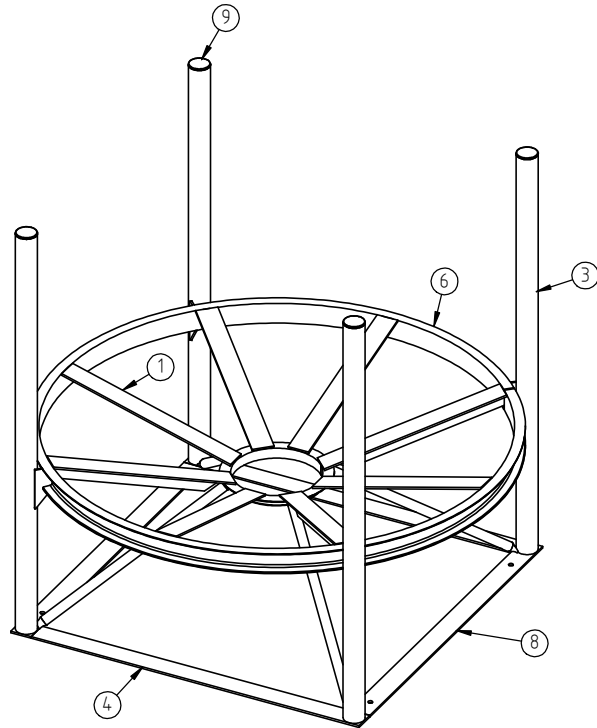


© DEN HARTOG INDUSTRIES, INC.

Copyright. All information furnished within this document, electronic file or design correspondence is the property of Den Hartog Industries, Inc. and shall not be used, disclosed to others or copied without the expressed written consent of Den Hartog Industries, Inc.

KEY	PART NUMBER	DESCRIPTION	QTY.
1	CB064-15ST-1	SIDE SUPPORT STRAP	8
2	RAR-12	ROLLED ANGLE, 12" PLAIN	1
3	CB064-45ST-3	LEG PIPE	4
4	CB064-45ST-4	BASE STRAP	2
5	CB064-15ST-5	ANGLED SUPPORT PIPE	4
6	CB064-45ST-6	3 INCH CHANNEL RING	1
7	SJ10306	BRACKET, CONE BOTTOM STAND	4
8	CB064-45ST-8	BASE STRAP-HOLES	2
9	12688	PIPE PLUG, 2-1/2" BLACK	4
10	CB064-15ST-2	SUPPORT STRAP	4

CB064-15ST



		DRAWN / DATE DHJ 11/30/15		MATERIAL	
		APPROD. / DATE REH 12/15/15			
REV	DESCRIPTION	BY / DATE	CCN	SHOT WEIGHT:	
				SHIPPING WEIGHT: 320.00 LBS	
ALL DIMENSIONS ARE IN DECIMAL INCHES TOLERANCES UNLESS OTHERWISE SPECIFIED		THIRD ANGLE PROJECTION ANSI 14.5M		NOTES:	
POLYETHYLENE $\pm 1\%$ @ 68°F		METAL DECIMAL $\pm .125"$ FRACTION $\pm 1/4"$ ANGLE $\pm 1^\circ$		FINISH: POWDER COATING, BLACK TILE, 40012	



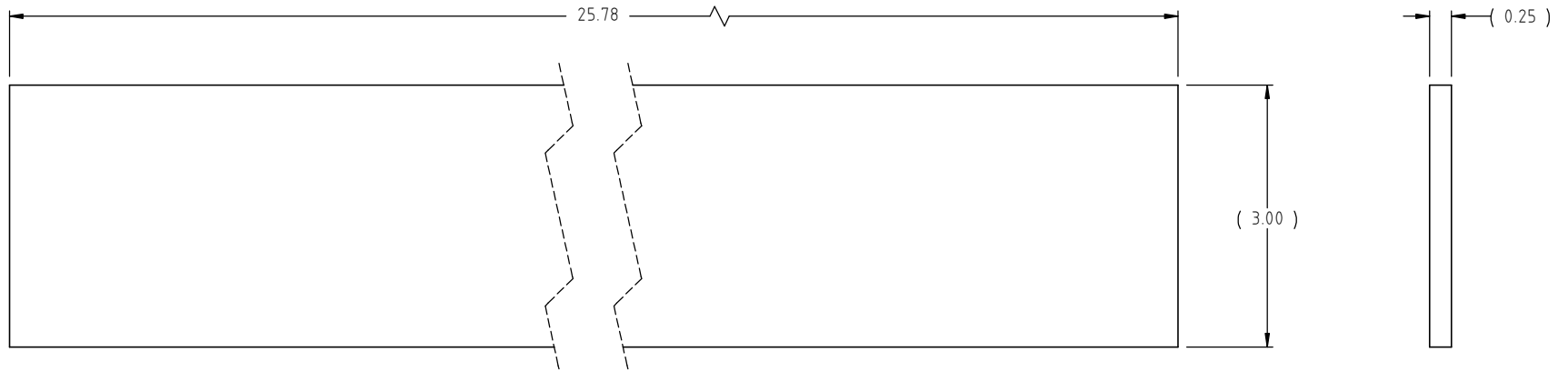
Den Hartog
INDUSTRIES, INC.

Ace Roto-Mold Injection Molding Blow Molding Sowjoy

4010 HOSPERS DRIVE S. BOX 425, HOSPERS, IOWA 51238-0421

DESCRIPTION CB, $\phi 64"$ -15 DEG STAND	
SCALE N.S.	PART NO. CB064-15ST

Copyright. All information furnished within this document, electronic file or design correspondence is the property of Den Hartog industries, Inc. and shall not be used, disclosed to others or copied without the expressed written consent of Den Hartog Industries, Inc.



				DRAWN / DATE ADH 12/1/15	MATERIAL 1.) FLAT, 1/4 X3 MILD STEEL
				APPRD. / DATE REH 12/15/15	
REV	DESCRIPTION	BY / DATE	CCN		
ALL DIMENSIONS ARE IN DECIMAL INCHES TOLERANCES UNLESS OTHERWISE SPECIFIED		THIRD ANGLE PROJECTION ANSI 14.5M		SHOT WEIGHT:	NOTES:
POLYETHYLENE ±1% @ 68°F		METAL DECIMAL ± .125" FRACTION ± 1/4" ANGLE ± 1°		SHIPPING WEIGHT:	
				FINISH:	

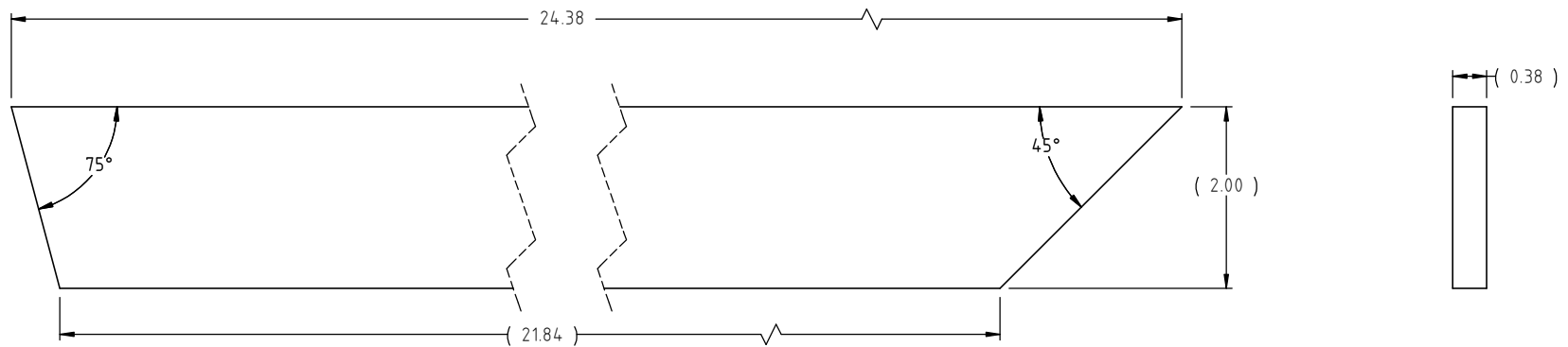


Den Hartog
INDUSTRIES, INC.

Ace Roto-Mold Injection Molding Blow Molding Sowjoy

4010 HOSPERS DRIVE S. BOX 425, HOSPERS, IOWA 51238-0425

DESCRIPTION CB, Ø64"-15 DEG STAND, SIDE SUPPORT STRAP	
SCALE N.S.	PART NO. CB064-15ST-1



				DRAWN / DATE ADH 12/1/15	MATERIAL 1.) FLAT, 3/8 X2 MILD STEEL
A	PART SHOWN ON PRINT CORRECTED	ADH 8/24/16	3283	APPRD. / DATE REH 12/15/15	
REV	DESCRIPTION	BY / DATE	CCN		
ALL DIMENSIONS ARE IN DECIMAL INCHES TOLERANCES UNLESS OTHERWISE SPECIFIED		THIRD ANGLE PROJECTION ANSI 14.5M		SHOT WEIGHT:	NOTES:
POLYETHYLENE ±1% @ 68°F		METAL DECIMAL ± .125" FRACTION ± 1/4" ANGLE ± 1°		SHIPPING WEIGHT:	
				FINISH:	

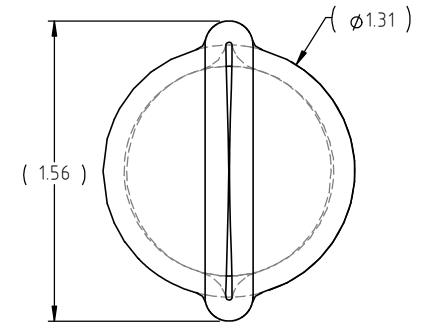
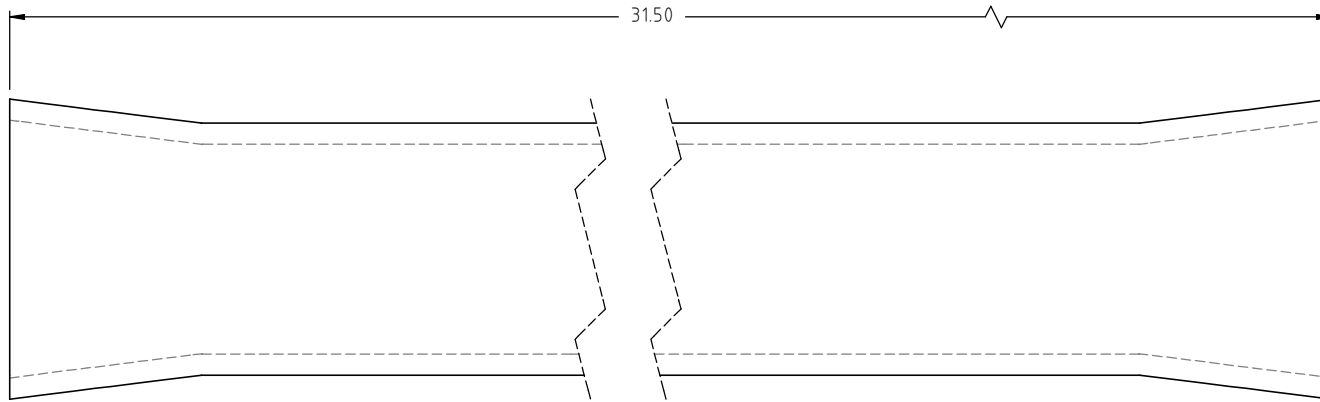


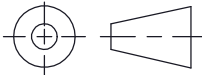
Den Hartog
INDUSTRIES, INC.

Ace Roto-Mold Injection Molding Blow Molding Sowjoy
4010 HOSPERS DRIVE S. BOX 425, HOSPERS, IOWA 51238-0425

DESCRIPTION CB, Ø64"-15 DEG STAND, SUPPORT STRAP
SCALE N.S.
PART NO. CB064-15ST-2

Copyright. All information furnished within this document, electronic file or design correspondence is the property of Den Hartog industries, Inc. and shall not be used, disclosed to others or copied without the expressed written consent of Den Hartog Industries, Inc.



				DRAWN / DATE ADH 12/1/15	MATERIAL 1.) TUBING, 1" OD ROUND MILD STEEL X.109 WALL
				APPROD. / DATE REH 12/15/15	
REV	DESCRIPTION	BY / DATE	CCN		
ALL DIMENSIONS ARE IN DECIMAL INCHES TOLERANCES UNLESS OTHERWISE SPECIFIED		THIRD ANGLE PROJECTION ANSI 14.5M		SHOT WEIGHT:	NOTES:
POLYETHYLENE		METAL DECIMAL ± .125" FRACTION ± 1/4" ANGLE ± 1°		SHIPPING WEIGHT:	
±1% @ 68°F				FINISH:	



Den Hartog
INDUSTRIES, INC.

Ace Roto-Mold Injection Molding Blow Molding Sowjoy

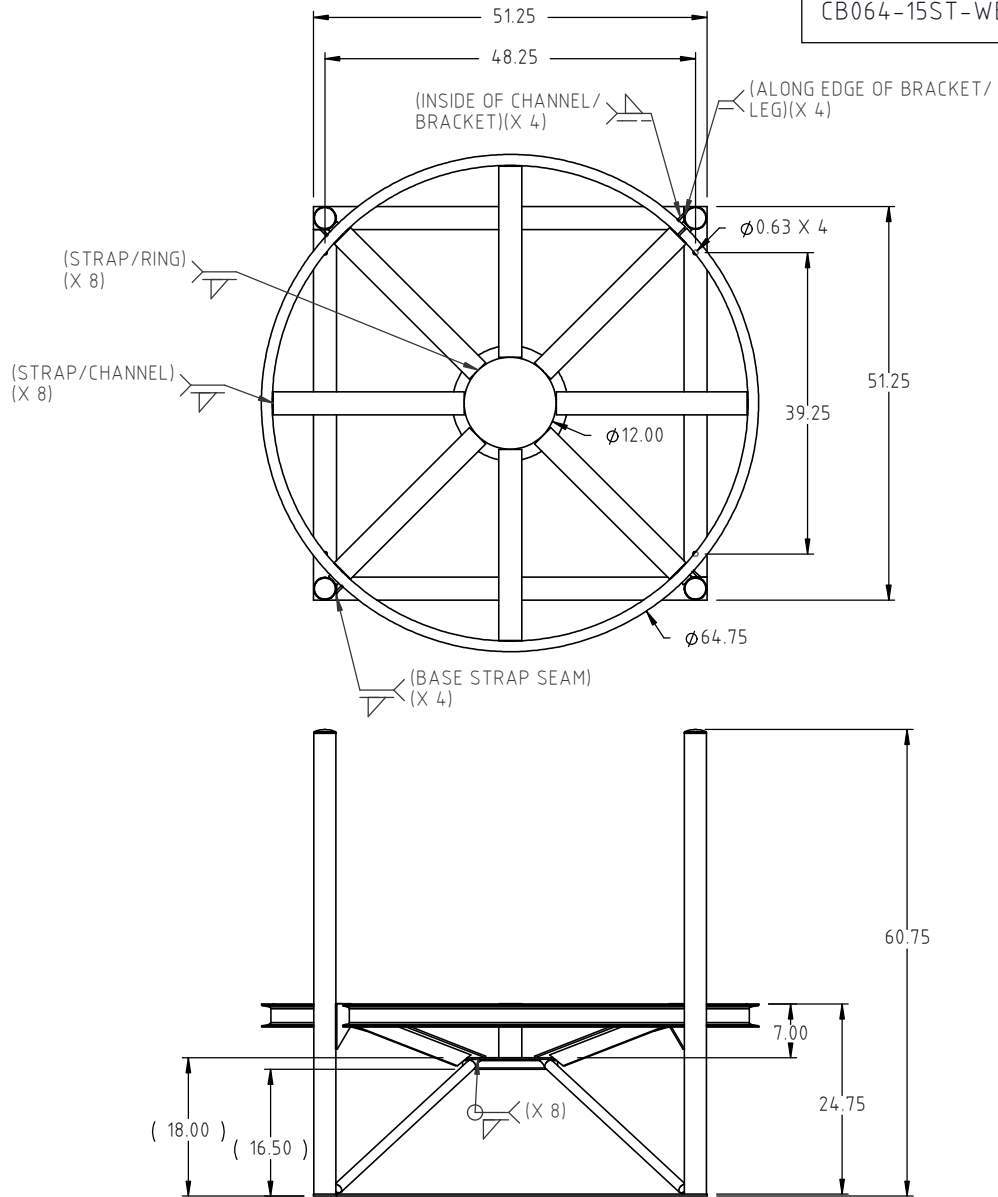
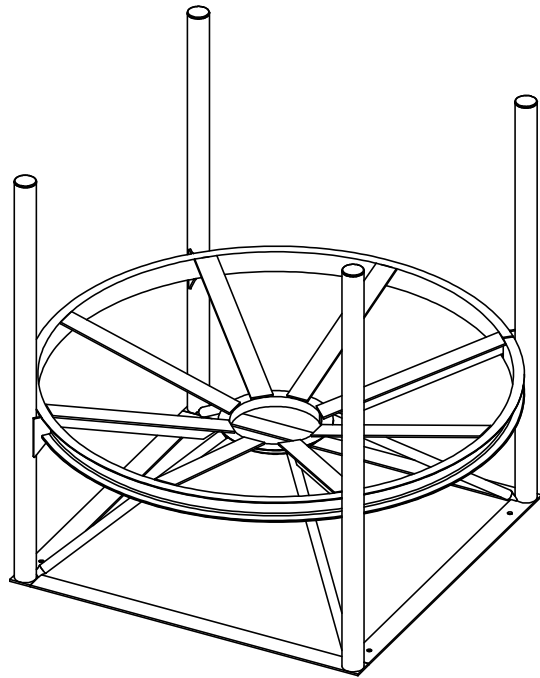
4010 HOSPERS DRIVE S. BOX 425, HOSPERS, IOWA 51238-0425

DESCRIPTION	CB, Ø64"-15 DEG STAND, ANGLED SUPPORT PIPE	
SCALE	N.S.	PART NO. CB064-15ST-5

© DEN HARTOG INDUSTRIES, INC.

Copyright. All information furnished within this document, electronic file or design correspondence is the property of Den Hartog Industries, Inc. and shall not be used, disclosed to others or copied without the expressed written consent of Den Hartog Industries, Inc.

CB064-15ST-WELDMENT



REV	DESCRIPTION	BY / DATE	CCN	DRAWN / DATE ADH 12/1/15	MATERIAL
				APPRO. / DATE REH 12/15/15	
ALL DIMENSIONS ARE IN DECIMAL INCHES TOLERANCES UNLESS OTHERWISE SPECIFIED		THIRD ANGLE PROJECTION ANSI 14.5M		SHOT WEIGHT:	NOTES:
POLYETHYLENE		METAL DECIMAL $\pm .125$ " FRACTION $\pm 1/4$ " ANGLE $\pm 1^\circ$		SHIPPING WEIGHT:	
$\pm 1\%$ @ 68°F				FINISH:	



Den Hartog
INDUSTRIES, INC.

Ace Roto-Mold Injection Molding Blow Molding Sowjoy

4010 HOSPERS DRIVE S. BOX 425, HOSPERS, IOWA 51238-0421

DESCRIPTION	CB, $\phi 64$ "-15 DEG STAND WELDMENT	
SCALE	N.S.	PART NO. CB064-15ST-WELDMENT