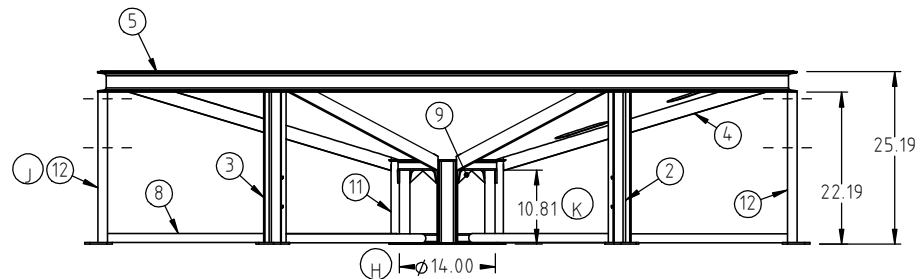
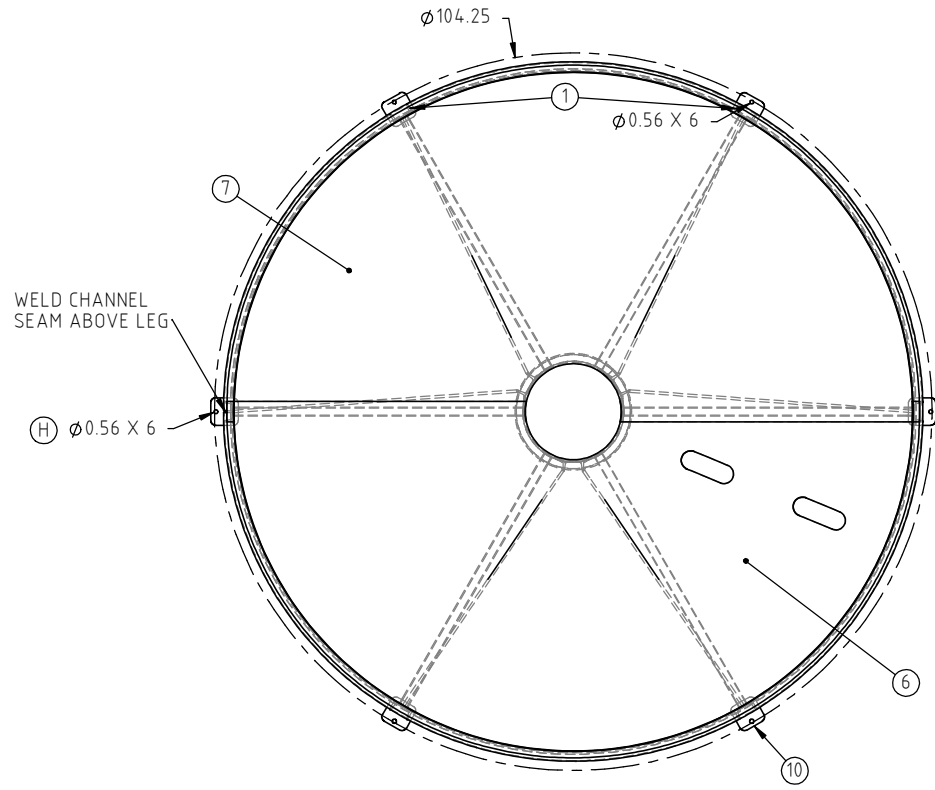


Copyright. All information furnished within this document, electronic file or design correspondence is the property of Den Hartog Industries, Inc. and shall not be used, disclosed to others or copied without the expressed written consent of Den Hartog Industries, Inc.

KEY	PART NUMBER	DESCRIPTION	QTY.
1	CB102-15ST-1	CHANNEL LEG	2
2	CB102-15ST-2	CHANNEL LEG-LEFT	1
3	CB102-15ST-3	CHANNEL LEG-RIGHT	1
4	CB102-15ST-4	TANK SUPPORT STRAP	6
5	CB102-15ST-5	CHANNEL RING	1
6	12478	PAN, CB102-15ST, W/HOLES	1
7	12479	PAN, CB102-15ST	1
8	CB102-15ST-8	BASE PIPE	6
9	12515	GUSSET	6
10	12750	LEG PAD, 1/4" X 4" X 4"	6
11	12517	CB, CENTER STAND	1
12	CB102-15ST-9	CHANNEL LEG-POWDER COAT	2



K	CLOCKING OF CB102-15-4 SHOWN ON PRINT & DIMENSION CORRECTED.	ADH 10/26/16	3312
J	HOLES FOR POWDER COATING ADDED TO TWO LEGS COMPONENT TABLE UPDATED.	ADH 7/22/11	2254
I	COMPONENT TABLE UPDATED, TUBE SHORTENED 0.13" PAN HOLE ADJUSTED 0.25"	ADH 7/2/10	2051
H	MATERIAL P.N. CORRECTED 12750 WAS SJCB86/90ST-7 Ø0.56 WAS Ø0.63, DIMENSION, WEIGHT AND FINISH ADDED.	ADH 1/29/10	1995
G	12517 WAS RAR-14 & CB102-15ST-10	ADH 12/7/07	1542
F	12515 WAS CB102-15ST-9	ADH 11/20/07	1528
E	PAN BOM INFORMATION UPDATED	ADH 8/30/07	1443
D	TOLERANCE WAS 1% @ 68°F	GWC 3/8/07	
C	ADD B.O.M.	NVE 6/11/06	
B	ADD SUMP CLEARANCE DIM	6/30/05	
A	ADD 1" TO OUTSIDE HEIGHT	12/1/04	
REV	DESCRIPTION	BY / DATE	CCN

DRAWN / DATE	MATERIAL
ADH 7/6/07	
APPROD. / DATE	
REH 7/18/07	



**Den Hartog**  
INDUSTRIES, INC.

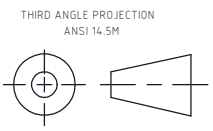
Ace Roto-Mold Injection Molding Blow Molding Sowjoy

4010 HOSPERS DRIVE S. BOX 425, HOSPERS, IOWA 51238-0425

ALL DIMENSIONS ARE IN DECIMAL INCHES TOLERANCES UNLESS OTHERWISE SPECIFIED

POLYETHYLENE  
±1% @ 68°F

METAL  
DECIMAL ±.125"  
FRACTION ± 1/4"  
ANGLE ± 1°



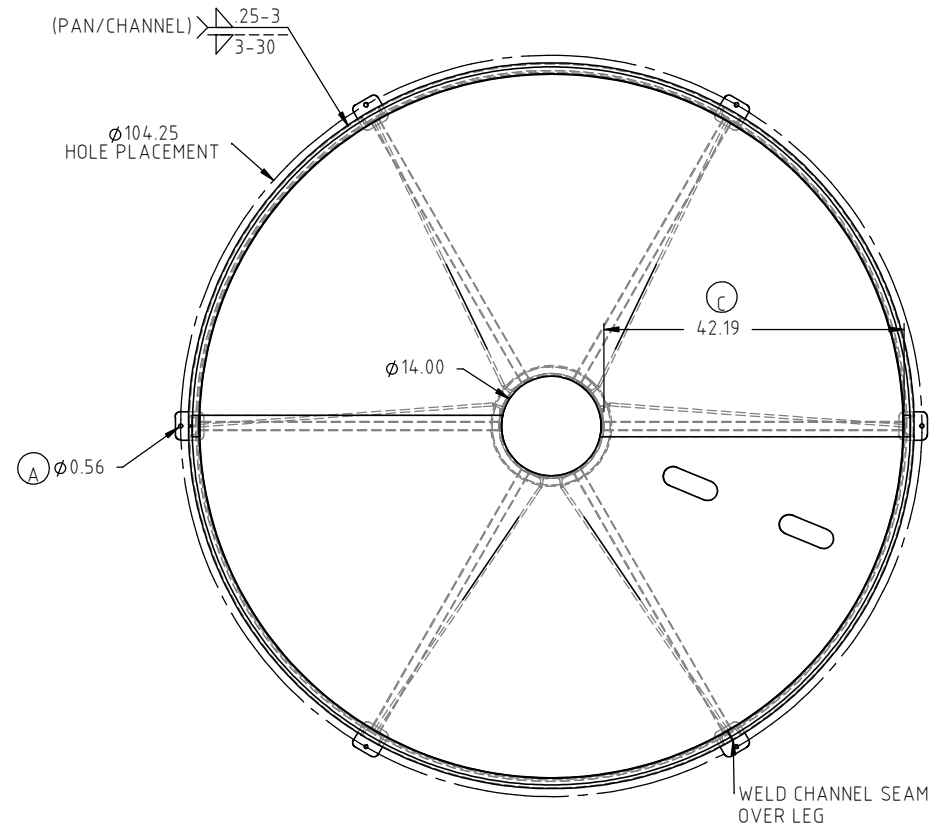
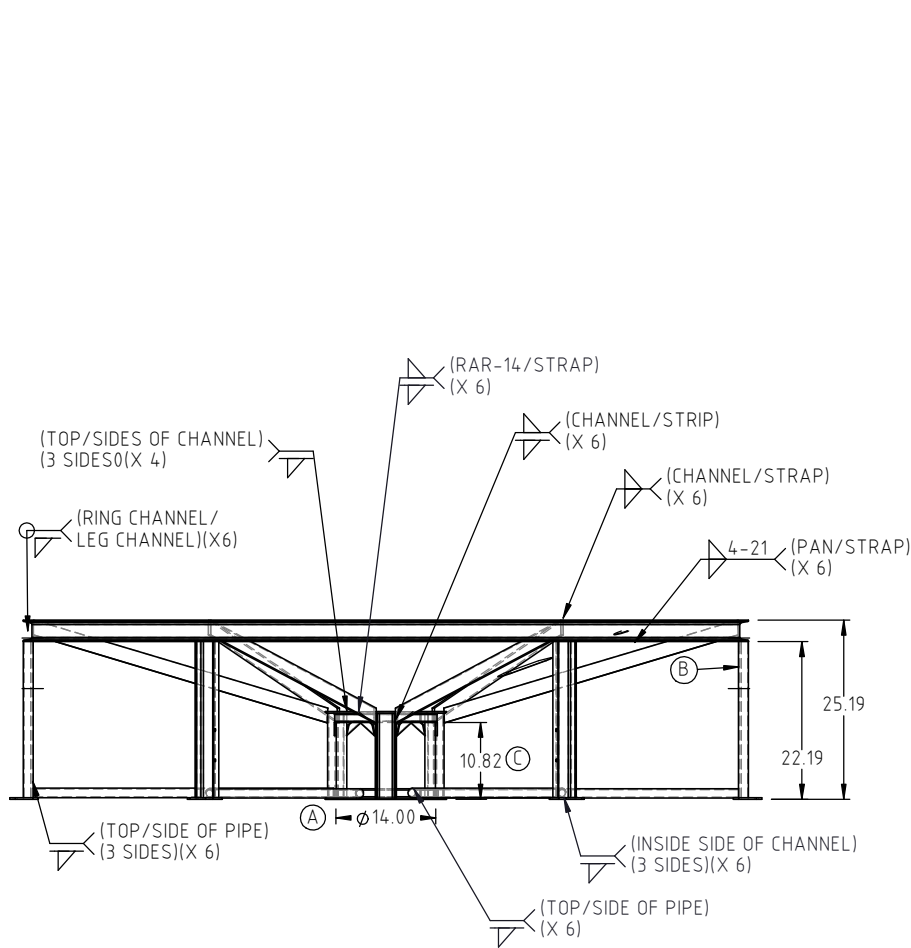
SHOT WEIGHT:

SHIPPING WEIGHT:  
64.00 LBS

FINISH:  
POWDER COATING,  
BLACK TILE, 40012

NOTES:

DESCRIPTION	STAND FOR Ø102" 15° CONE BOTTOM TANK	
SCALE	N.S.	PART NO. CB102-15ST



C	CLOCKING OF CB102-15-4 SHOWN ON PRINT & DIMENSIONS CORRECTED.	ADH 10/26/16	3312	DRAWN / DATE	MATERIAL
B	POWDER COATING STAND LEGS ADDED PART NUMBER/DESCRIPTION UPDATED	ADH 7/22/11	2254	ADH 7/6/07	
A	∅0.56 WAS ∅0.63, WEIGHT AND FINISH REMOVED. DIMENSION ADDED	ADH 2/1/10	1995	APPRD. / DATE	
REV	DESCRIPTION	BY / DATE	CCN	REH 7/18/07	
ALL DIMENSIONS ARE IN DECIMAL INCHES TOLERANCES UNLESS OTHERWISE SPECIFIED		THIRD ANGLE PROJECTION ANSI 14.5M		SHOT WEIGHT:	NOTES:
POLYETHYLENE		METAL DECIMAL ± .125" FRACTION ± 1/4" ANGLE ± 1°		SHIPPING WEIGHT:	
±1% @ 68°F				FINISH:	
				ⓐ	
				ⓐ	



**Den Hartog**  
INDUSTRIES, INC.

Ace Roto-Mold Injection Molding Blow Molding Sowjoy

4010 HOSPERS DRIVE S. BOX 425, HOSPERS, IOWA 51238-0425

DESCRIPTION		STAND FOR ∅102" 15° CONE BOTTOM TANK- WELDMENT	
ⓑ	SCALE	ⓑ	PART NO.
	N.S.		CB102-15ST-WELDMENT