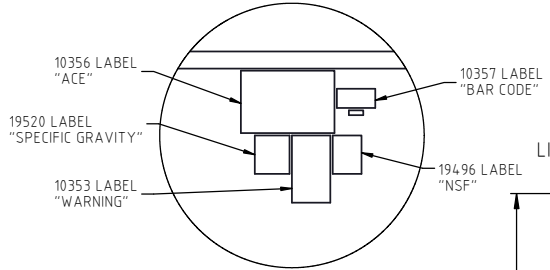
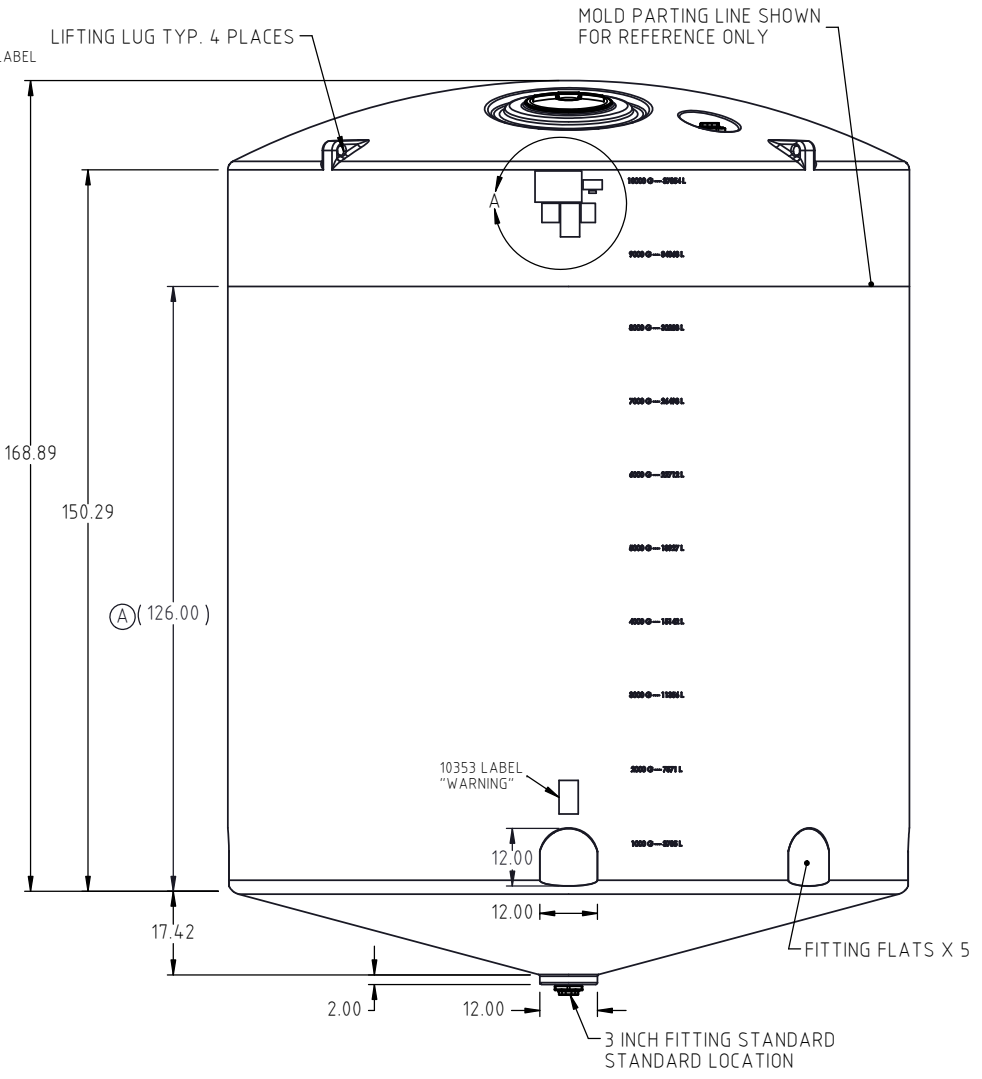
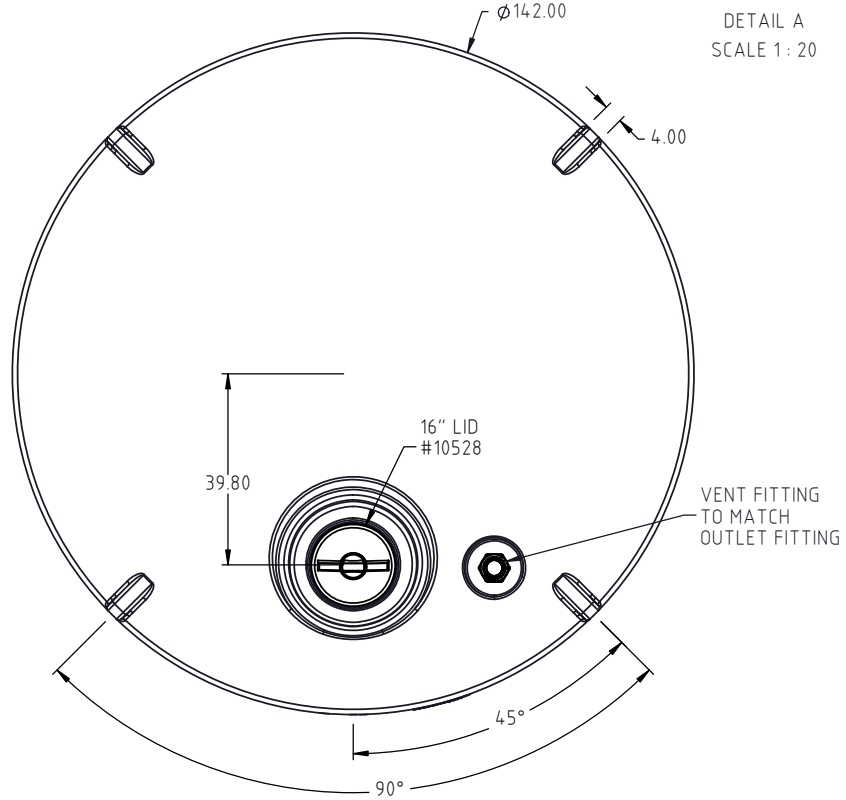


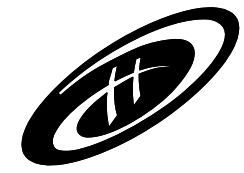
Copyright. All information furnished within this document, electronic file or design correspondence is the property of Den Hartog Industries, Inc. and shall not be used, disclosed to others or copied without the expressed written consent of Den Hartog Industries, Inc.



DETAIL A  
SCALE 1:20



DRAWN / DATE DHJ 5/20/2015	MATERIAL: 10538 2 MELT NATURAL RESIN
APPRD. / DATE BPL 6/9/2021	
SHOT WEIGHT: 2500.00 LBS	NOTES: 1.) WHITE, BLACK, OR YELLOW COLOR WALL THICKNESS AT FITTING: .125"
SHIPPING WEIGHT: 2502.00 LBS	
FINISH:	



**Den Hartog INDUSTRIES, INC.**  
Ace Roto-Mold • Injection Molding • Blow Molding • Sowjoy

4010 HOSPERS DRIVE S. BOX 425, HOSPERS, IOWA 51238-0425

A	126.00" WAS 132.89"	ADH	2/21/2024	4567
REV.	DESCRIPTION	BY	DATE	CCN
ALL DIMENSIONS ARE IN DECIMAL INCHES TOLERANCES UNLESS OTHERWISE SPECIFIED		THIRD ANGLE PROJECTION ANSI 14.5M		
POLYETHYLENE ±1% @ 68°F	METAL DECIMAL ± .125" FRACTION ± 1/4" ANGLE ± 1°			

DESCRIPTION 10500 GALLON 15 DEGREE CONE BOTTOM TANK	
SCALE N.S.	PART NO. CB10500-142
SHEET 1 OF 1	