

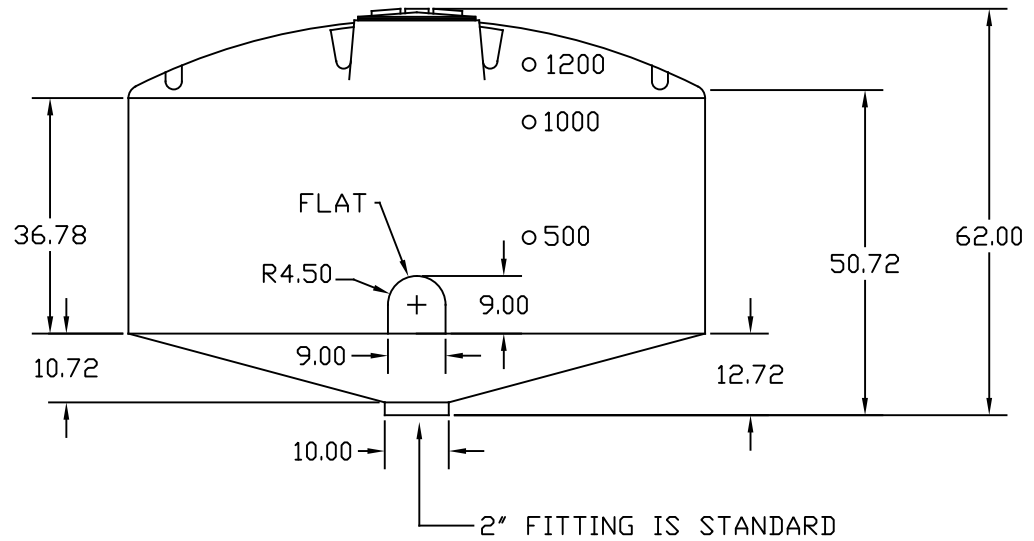
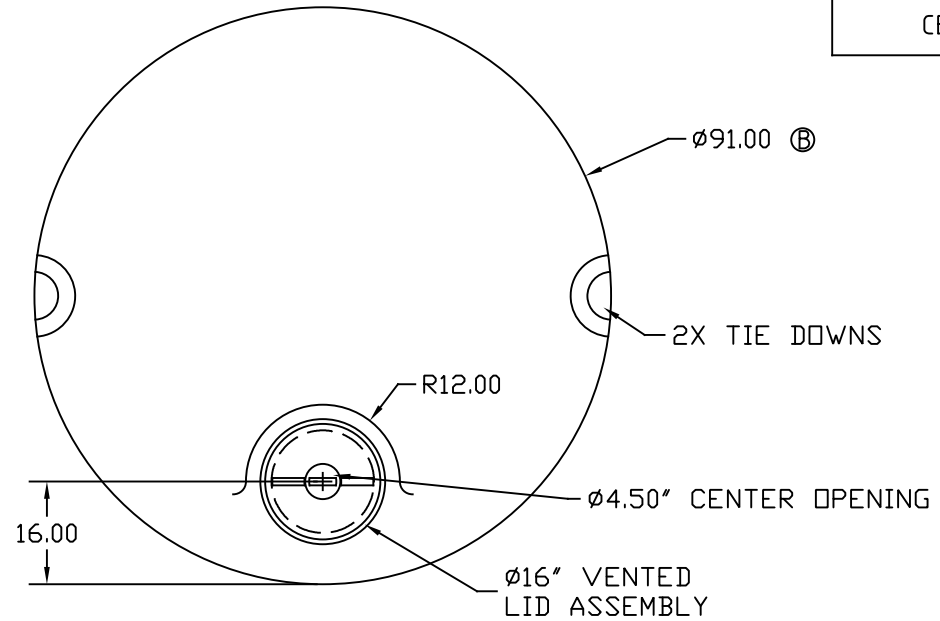
PROPRIETARY DATA

PROPERTY OF ACE ROTO-MOLD MFG., INC. INFORMATION FURNISHED HEREIN IS THE PROPERTY OF ACE ROTO-MOLD MFG., INC. AND SHALL NOT BE USED, DISCLOSED TO OTHERS, OR COPIED WITHOUT THE EXPRESSED WRITTEN CONSENT OF ACE ROTO-MOLD MFG., INC. ALL RIGHTS RESERVED.

CB1200-90

B

1. SPECIFIC GRAVITY IS 1.75
2. 1 PIECE ROTATIONALLY MOLDED
3. TRANSLUCENT
4. FDA APPROVED RESIN
5. CALIBRATED IN GALLONS
6. THREE YEAR WARRANTY
7. UV STABILIZED
8. MIXER OR PUMP MOUNT ON REQUEST



DRAWN / DATE DHJ 3/2/95					MATERIAL MDPE OR EQUIVALENT REFERENCE MATERIAL DATA SHEET FOR SPECIFIC PROPERTIES.				
APPRD. / DATE REH 4/18/07					NOTES: 1. WHITE OR YELLOW TANK COLOR 2. SHOT WEIGHT 240 LBS.				
THIRD ANGLE PROJECTION ANSI 14.5M									
ALL DIMENSIONS ARE IN DECIMAL INCHES TOLERANCES UNLESS OTHERWISE SPECIFIED ± 1% @ 68° F									

ACE ROTO-MOLD A DIVISION OF DEN HARTOG INDUSTRIES, INC. 4018 HWY. 60 BLVD., BOX 421, HOSPERS, IOWA 51238	
CLIENT / DESCRIPTION 1200 GALLON $\phi$ 90" 15° CONE BOTTOM TANK	
SCALE N.S.	PART NO. CB1200-90

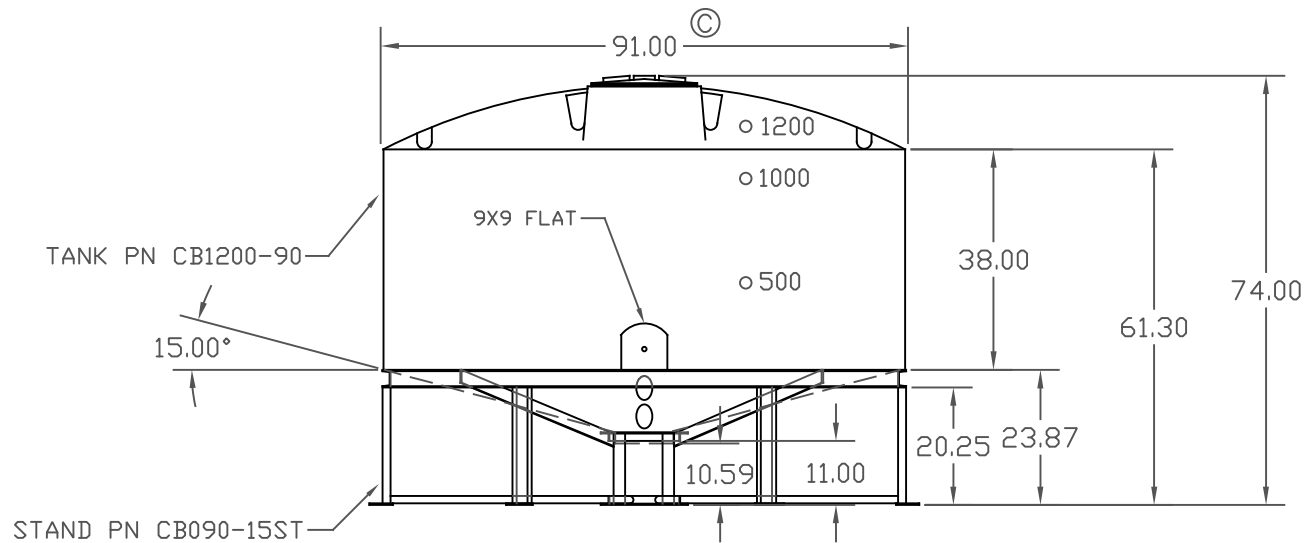
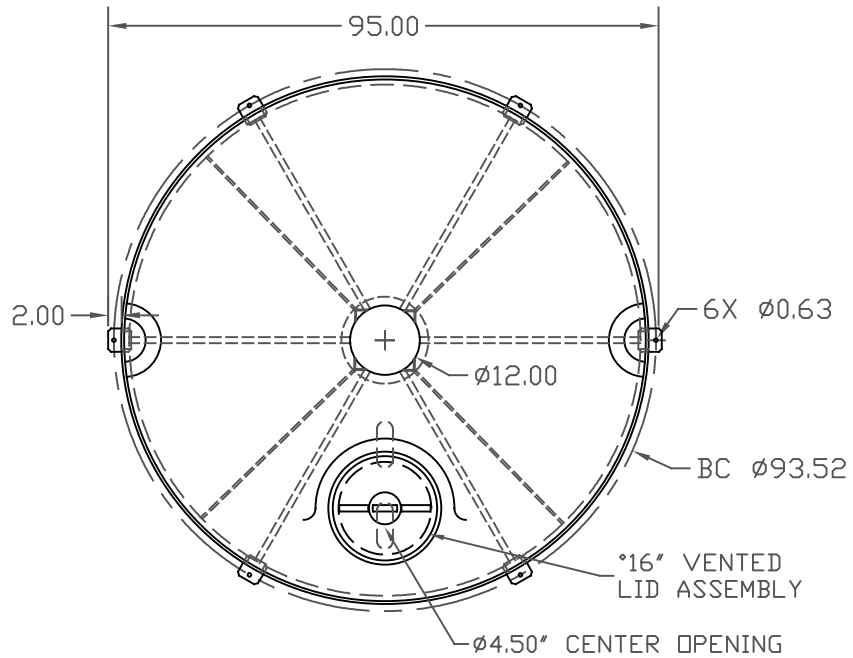
PROPRIETARY DATA

PROPERTY OF ACE ROTO-MOLD MFG, INC. INFORMATION FURNISHED HEREIN IS THE PROPERTY OF ACE ROTO-MOLD MFG, INC. AND SHALL NOT BE USED, DISCLOSED TO OTHERS, OR COPIED WITHOUT THE EXPRESSED WRITTEN CONSENT OF ACE ROTO-MOLD MFG, INC. ALL RIGHTS RESERVED.

CB1200-90/90-15ST



1. SPECIFIC GRAVITY IS 1.75
2. 1 PIECE ROTATIONALLY MOLDED
3. TRANSLUCENT
4. FDA APPROVED RESIN
5. CALIBRATED IN GALLONS
6. THREE YEAR WARRANTY
7. UV STABILIZED
8. MIXER OR PUMP MOUNT ON REQUEST



C	WAS 90	5/11/17	DHJ	3385	DRAWN / DATE	MATERIAL
B	REMOVE TOL. 1% @ 68° F	3/9/07	GWC		DHJ 3/2/95	TANK: MDPE OR EQUIVALENT STAND: MILD STEEL
A	CHANGED PN, FUSED TANK AND STAND	5/24/06	NVE		APPRD. / DATE	CLIENT / DESCRIPTION 1200 GALLON Ø90" 15° CONE BOTTOM TANK AND STAND
REV	DESCRIPTION	DATE	APPRD	CCN	REH 4/18/07	
ALL DIMENSIONS ARE IN DECIMAL INCHES TOLERANCES UNLESS OTHERWISE SPECIFIED					THIRD ANGLE PROJECTION ANSI 14.5M	NOTES: 1. WHITE OR YELLOW TANK COLOR 2. BLACK STAND COLOR - POWDER COATED 3. TANK WEIGHT 240 LBS. 4. STAND WEIGHT 380 LBS.



**ACE ROTO-MOLD**  
A DIVISION OF DEN HARTOG INDUSTRIES, INC.  
4018 HWY. 60 BLVD., BOX 421, HOSPERS, IOWA 51238

CLIENT / DESCRIPTION  
1200 GALLON Ø90" 15° CONE BOTTOM TANK AND STAND

SCALE  
N.S.

PART NO.  
CB1200-90/90-15ST