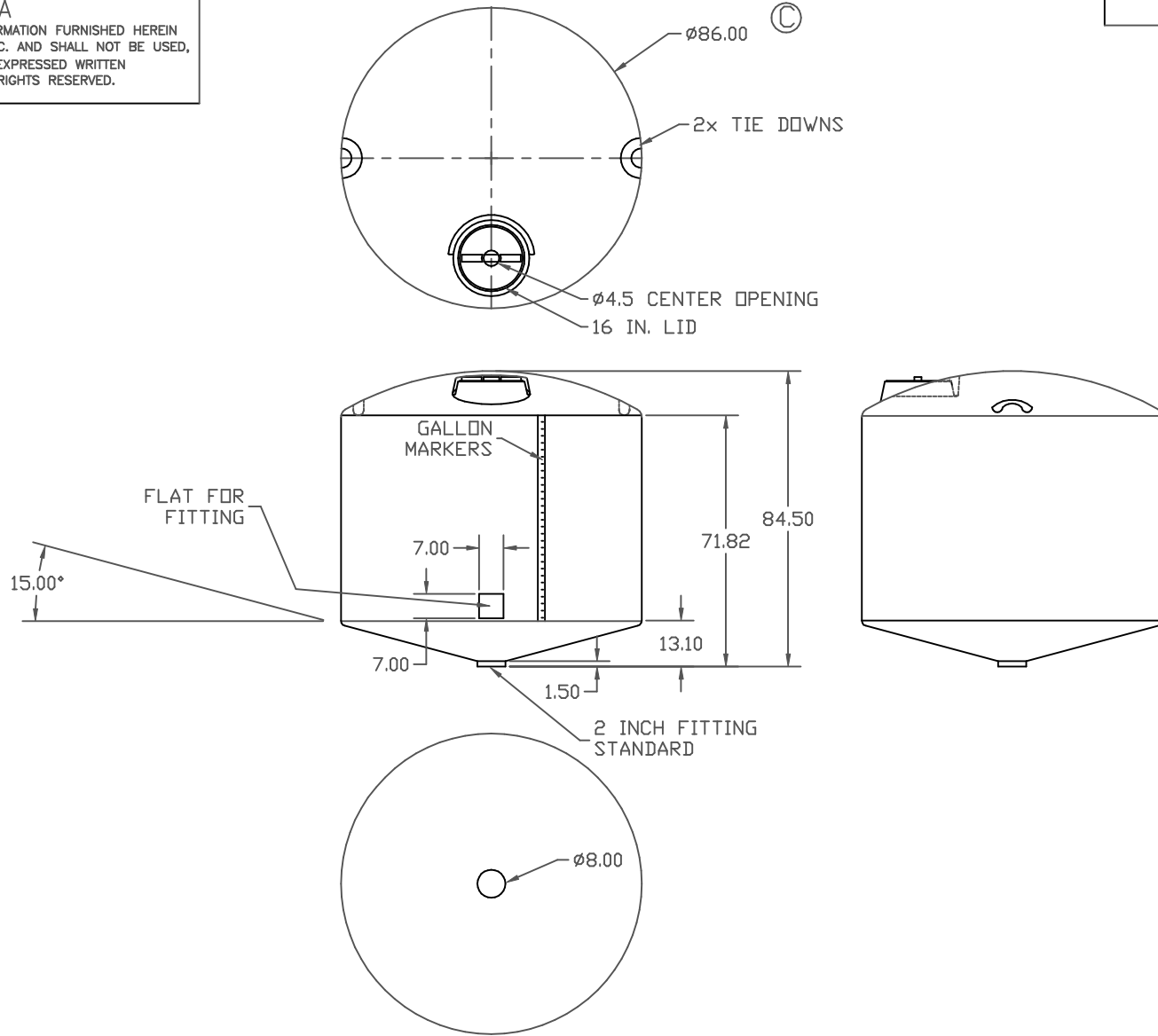


PROPRIETARY DATA

PROPERTY OF DEN HARTOG INDUSTRIES, INC. INFORMATION FURNISHED HEREIN IS THE PROPERTY OF DEN HARTOG INDUSTRIES, INC. AND SHALL NOT BE USED, DISCLOSED TO OTHERS, OR COPIED WITHOUT THE EXPRESSED WRITTEN CONSENT OF DEN HARTOG INDUSTRIES, INC. ALL RIGHTS RESERVED.

CB1700-86

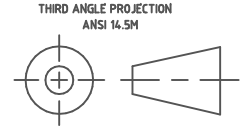


C	DIA WAS 85, WEIGHT WAS 300 LBS	7/31/06	NVE	DRAWN / DATE	MATERIAL HDPE OR EQUIVALENT REFERENCE MATERIAL DATA SHEET FOR SPECIFIC PROPERTIES.
B	UPDATE DIMENSIONS	6/29/06	NVE	DHJ 7/11/03	
A	CHANGE WEIGHT TO 300	9/12/05		APPRD. / DATE	
REV	DESCRIPTION	DATE	APPRD		

ACE ROTO-MOLD
A DIVISION OF DEN HARTOG INDUSTRIES, INC.
4010 HWY. 60 BLVD., BOX 425, HOSPERS, IOWA 51238

CLIENT / DESCRIPTION
1700 GALLON, ϕ 86.00 CONE BOTTOM TANK

ALL DIMENSIONS ARE IN DECIMAL INCHES
TOLERANCES UNLESS OTHERWISE SPECIFIED
 \pm 1% @ 68° F



NOTES:
1. WHITE OR YELLOW COLOR
2. SHOT WEIGHT 284 LBS.

SCALE
N.S.

PART NO.
CB1700-86