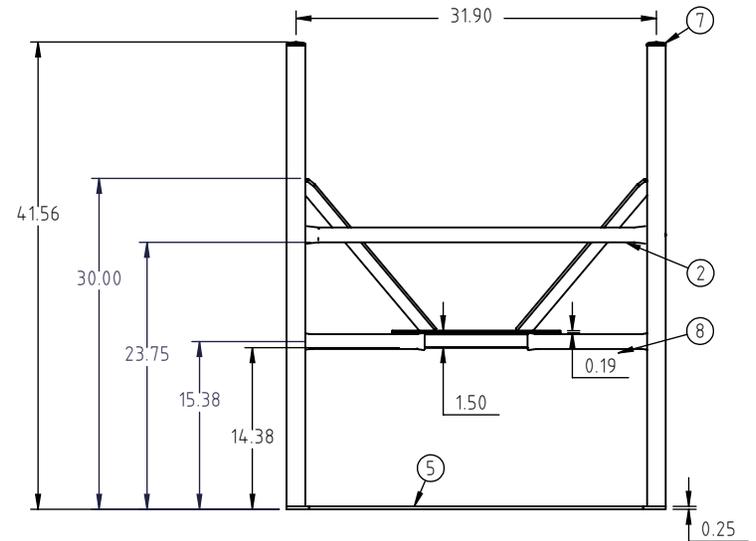
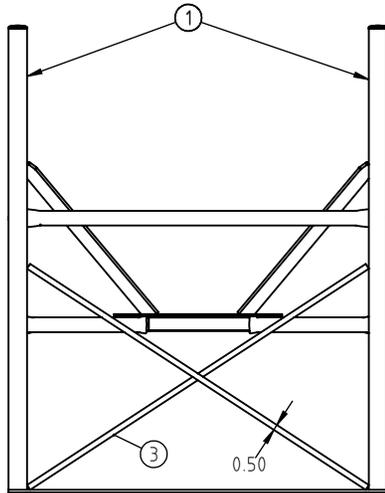
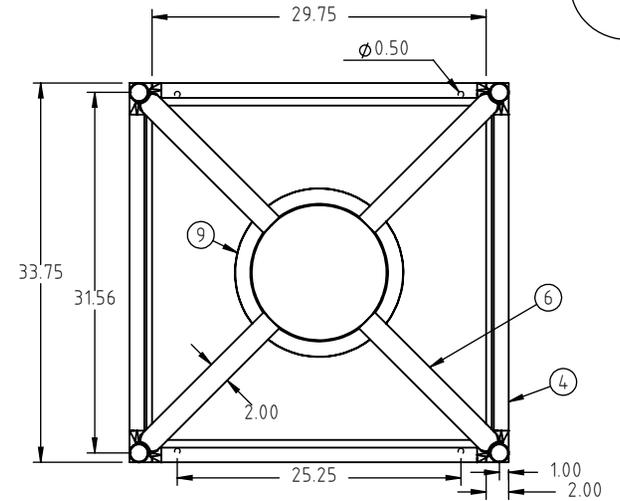


© DEN HARTOG INDUSTRIES, INC.

Copyright. All information furnished within this document, electronic file or design correspondence is the property of Den Hartog industries, Inc. and shall not be used, disclosed to others or copied without the expressed written consent of Den Hartog Industries, Inc.

KEY	PART NUMBER	DESCRIPTION	QTY.
1	CBFD042-45ST-1	LEG TUBE	4
2	CBFD042-45ST-2	SIDE SUPPORT TUBE	4
3	CB042-45ST-3	ROD	4
4	CB042-45ST-4	BASE STRAP	2
5	CB042-45ST-5	STAND BASE STRAP	2
6	CBFD042-45ST-6	TANK SUPPORT STRAP	4
7	12686	1-1/2" PIPE PLUG	4
8	CB042-45ST-8	SIDE SUPPORT TUBE	4
9	RAR-12	ROLLED ANGLE, 12" PLAIN	1

CBFD042-45ST



		DRAWN / DATE ADH 9/27/10		MATERIAL	
		APPROD. / DATE DHJ 9/28/10			
REV	DESCRIPTION	BY / DATE	CCN		
ALL DIMENSIONS ARE IN DECIMAL INCHES TOLERANCES UNLESS OTHERWISE SPECIFIED		THIRD ANGLE PROJECTION ANSI 14.5M		SHOT WEIGHT:	
POLYETHYLENE		METAL DECIMAL ± .125" FRACTION ± 1/4" ANGLE ± 1°		SHIPPING WEIGHT: 82.00 LBS	
±1% @ 68° F		FINISH: POWDER COATING, BLACK TILE, 40012		NOTES:	



Den Hartog
INDUSTRIES, INC.

Ace Roto-Mold Injection Molding Blow Molding Sowjoy

4010 HOSPERS DRIVE S. BOX 425, HOSPERS, IOWA 51238-0421

DESCRIPTION STAND FOR 45°, Ø42.00" FULL DRAIN, CONE BOTTOM TANKS	
SCALE N.S.	PART NO. CBFD042-45ST