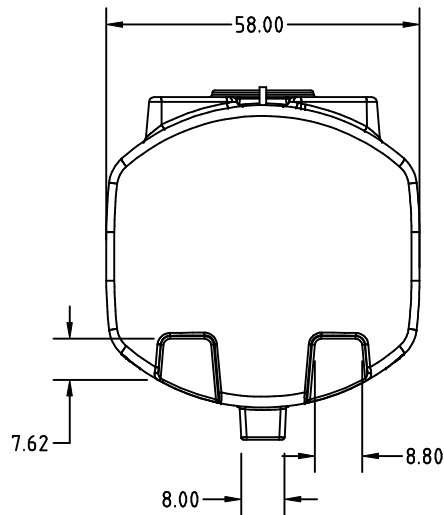
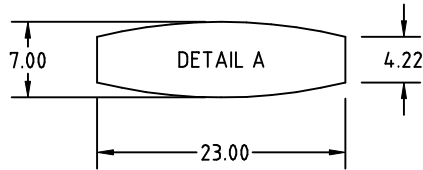
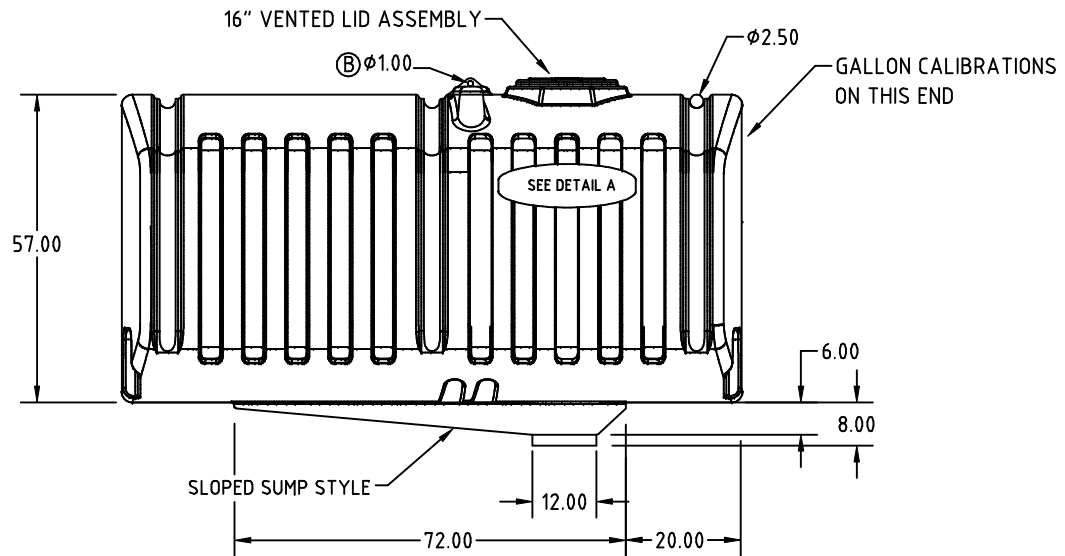
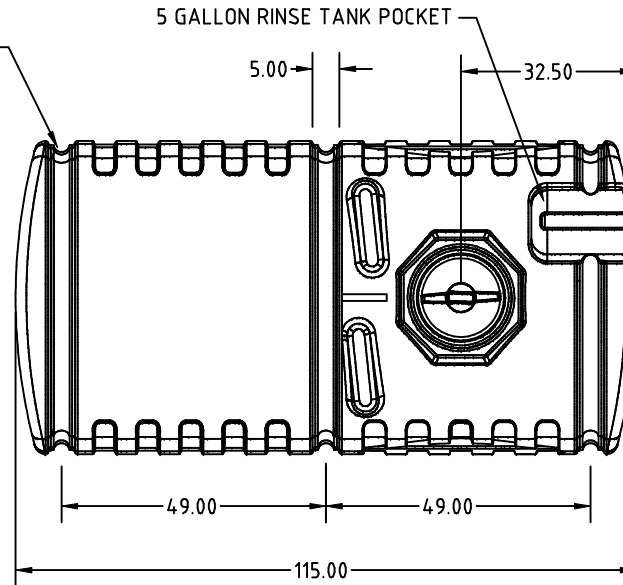


Copyright. All information furnished within this document, electronic file or design correspondence is the property of Den Hartog Industries, Inc. and shall not be used, disclosed to others or copied without the expressed written consent of Den Hartog Industries, Inc.


MAX. SIZE FOR CROP CARE GRAPHICS
INCLUDES BACKING PAPER



USE HOOPS TO FASTEN
TANK TO MACHINE



| | | | | | |
|---|--|--|------|------------------------------|---|
| | | | | DRAWN / DATE REH/7/12/02 | MATERIAL 1.) MDPE |
| B | LIFTING LUG DETAIL ADDED/ DRAWING TEMPLATE UPDATED | 10/15/02 | 1892 | APPRD. / DATE DHJ/7/12/02 | NOTES: 1. AVAILABLE IN NATURAL OR YELLOW COLOR. 2. NOM. WALL = .400 |
| A | RELEASED | 10/15/02 | | | |
| REV | DESCRIPTION | BY / DATE | CCN | | |
| ALL DIMENSIONS ARE IN DECIMAL INCHES TOLERANCES UNLESS OTHERWISE SPECIFIED | | THIRD ANGLE PROJECTION ANSI 14.5M | | SHOT WEIGHT: 432 LBS | |
| POLYETHYLENE | | METAL | | SHIPPING WEIGHT: 480 LBS | |
| ±1% @ 68° F | | DECIMAL ± .125" FRACTION ± 1/4" ANGLE ± 1° | | FINISH: | |



Den Hartog
INDUSTRIES, INC.

Ace Roto-Mold Injection Molding Blow Molding Sowjoy
4010 HOSPERS DRIVE S. BOX 425, HOSPERS, IOWA 51238-0421

| | | |
|-------------|--|---------------------|
| DESCRIPTION | 1250 GALLON CROP CARE TANK - SLOPED SUMP | |
| SCALE | N.S. | PART NO. CC1250-58S |