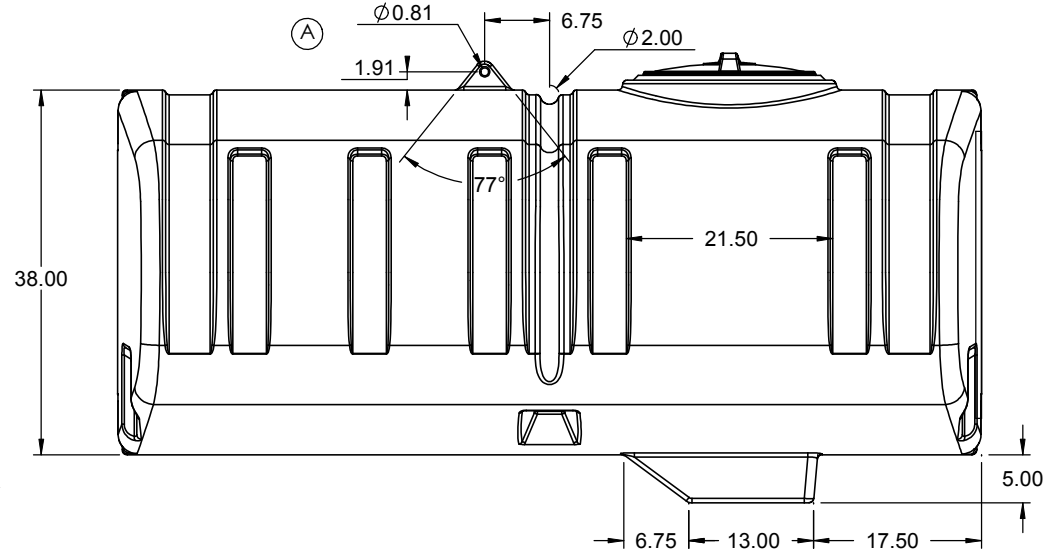
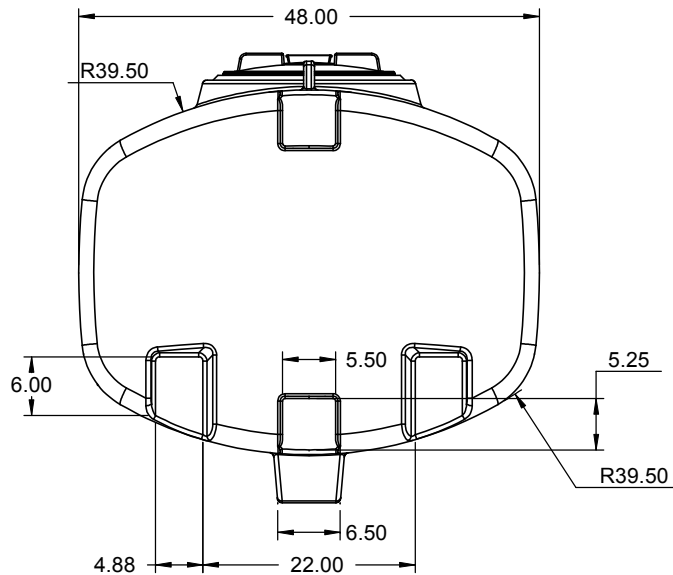
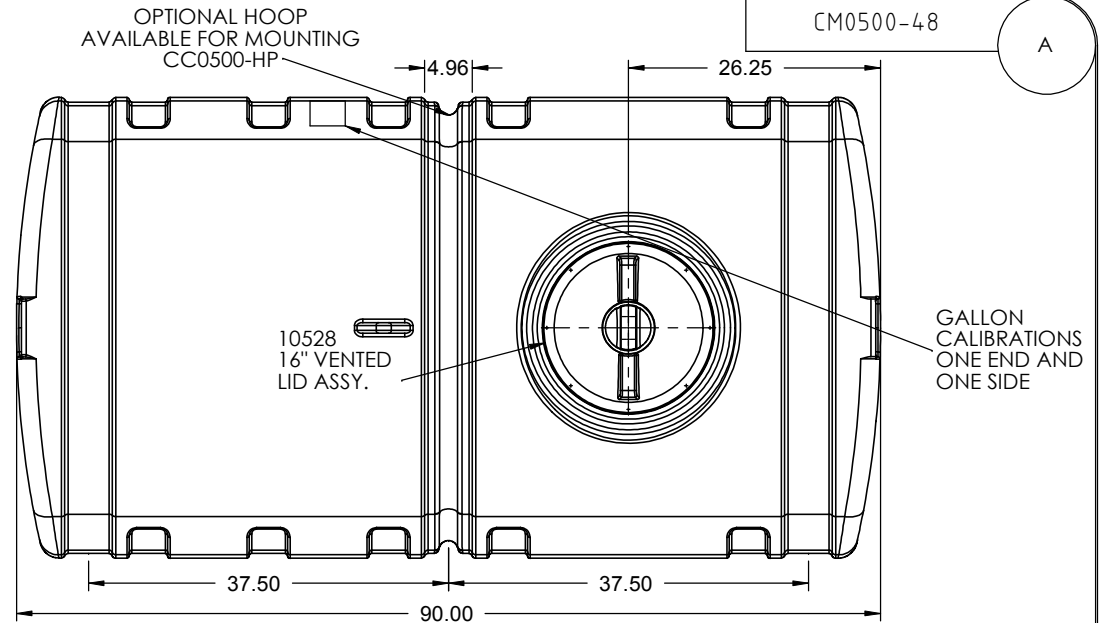

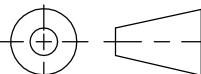


Copyright. All information furnished within this document, electronic file or design correspondence is the property of Den Hartog Industries, Inc. and shall not be used, disclosed to others or copied without the expressed written consent of Den Hartog Industries, Inc.

NOTE ON TANK MOUNTING:

USE A SINGLE HOOP IN THE CENTER TANK RECESS OR USE BANDS ON EACH END OF THE TANK FOR MOUNTING.



				DRAWN / DATE ADH 11/24/08	MATERIAL 1.) NATURAL = 10538 2.) YELLOW = 10600	 <p>Den Hartog INDUSTRIES, INC.</p> <p>Ace Roto-Mold Injection Molding Blow Molding Sowjoy</p> <p>4010 HOSPERS DRIVE S. BOX 425, HOSPERS, IOWA 51238-0421</p>	
A	LIFTING LUG DETAILS ADDED	REH	1846	APPRD. / DATE REH 12/15/08			
REV	DESCRIPTION	BY / DATE	CCN	SHOT WEIGHT: 200 LBS	NOTES: 1. .350 WALL	DESCRIPTION 500 GALLON CROP CARE TANK	
ALL DIMENSIONS ARE IN DECIMAL INCHES TOLERANCES UNLESS OTHERWISE SPECIFIED POLYETHYLENE $\pm 1\%$ @ 68°F		THIRD ANGLE PROJECTION ANSI 14.5M 		SHIPPING WEIGHT: 202 LBS FINISH:		SCALE N.S.	PART NO. CM0500-48