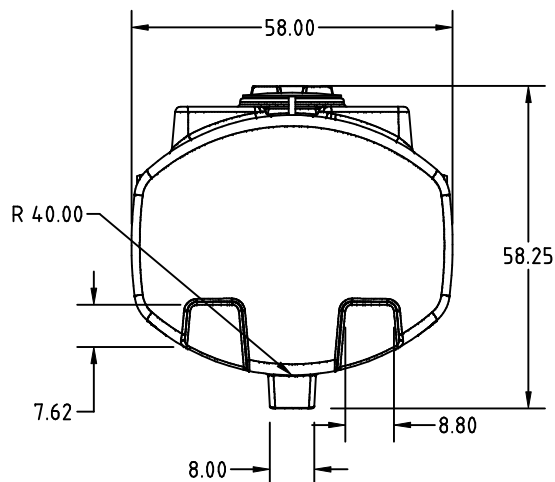
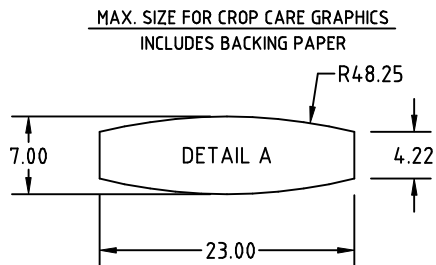
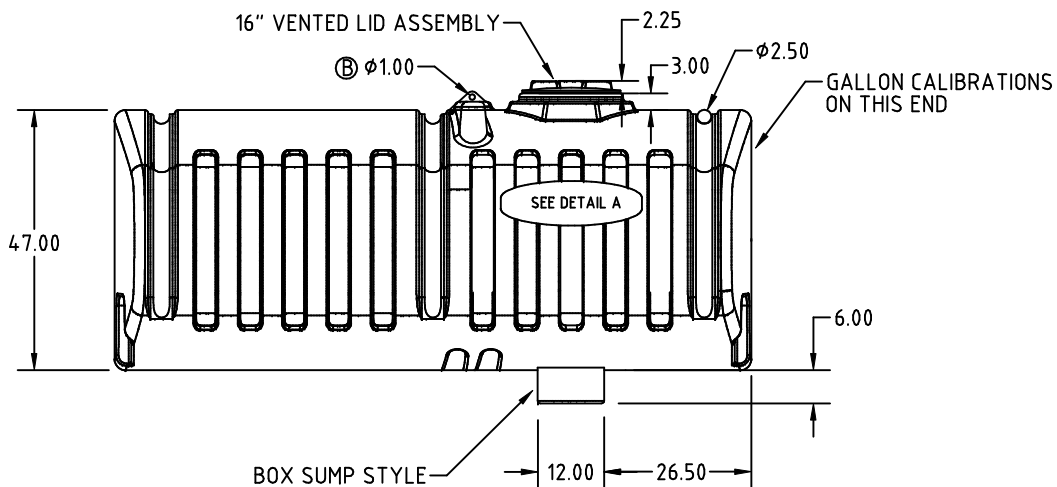
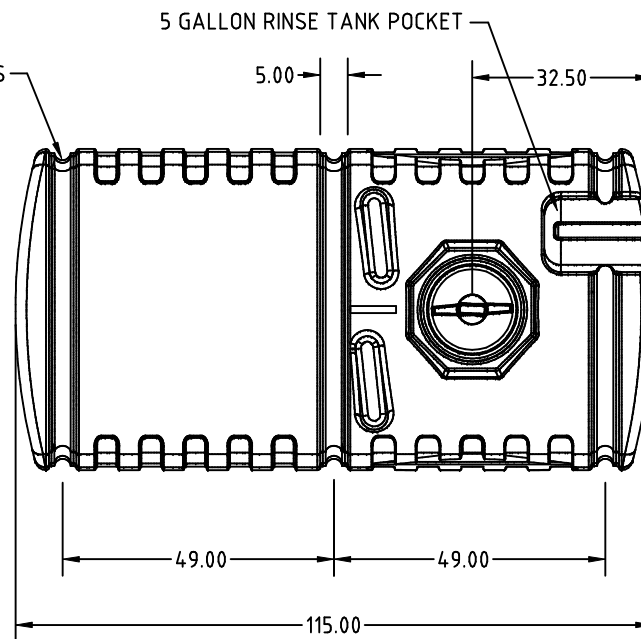



Copyright. All information furnished within this document, electronic file or design correspondence is the property of Den Hartog industries, Inc. and shall not be used, disclosed to others or copied without the expressed written consent of Den Hartog Industries, Inc.



USE HOOPS
TO FASTEN TANK TO MACHINE



				DRAWN / DATE REH/4/12/02	MATERIAL 1.) MDPE
B	LIFTING LUG DETAIL ADDED/ TEMPLATE UPDATED	ADH 7/2/09	1892	APPRD. / DATE DHJ/4/12/02	
A	RELEASED	10/15/02			
REV	DESCRIPTION	BY / DATE	CCN		
ALL DIMENSIONS ARE IN DECIMAL INCHES TOLERANCES UNLESS OTHERWISE SPECIFIED		THIRD ANGLE PROJECTION ANSI 14.5M		SHOT WEIGHT: 305 LBS.	NOTES: 1. AVAILABLE IN NATURAL OR YELLOW COLOR. 2. NOM. WALL = .320
POLYETHYLENE		METAL		SHIPPING WEIGHT: 350 LBS.	
±1% @ 68° F		DECIMAL ± .125" FRACTION ± 1/4" ANGLE ± 1°		FINISH:	



Den Hartog

INDUSTRIES, INC.

Ace Roto-Mold Injection Molding Blow Molding Sowjoy
4010 HOSPERS DRIVE S. BOX 425, HOSPERS, IOWA 51238-0421

DESCRIPTION 1000 GALLON CROP CARE TANK - BOX SUMP	
SCALE N.S.	PART NO. CM1000-58B