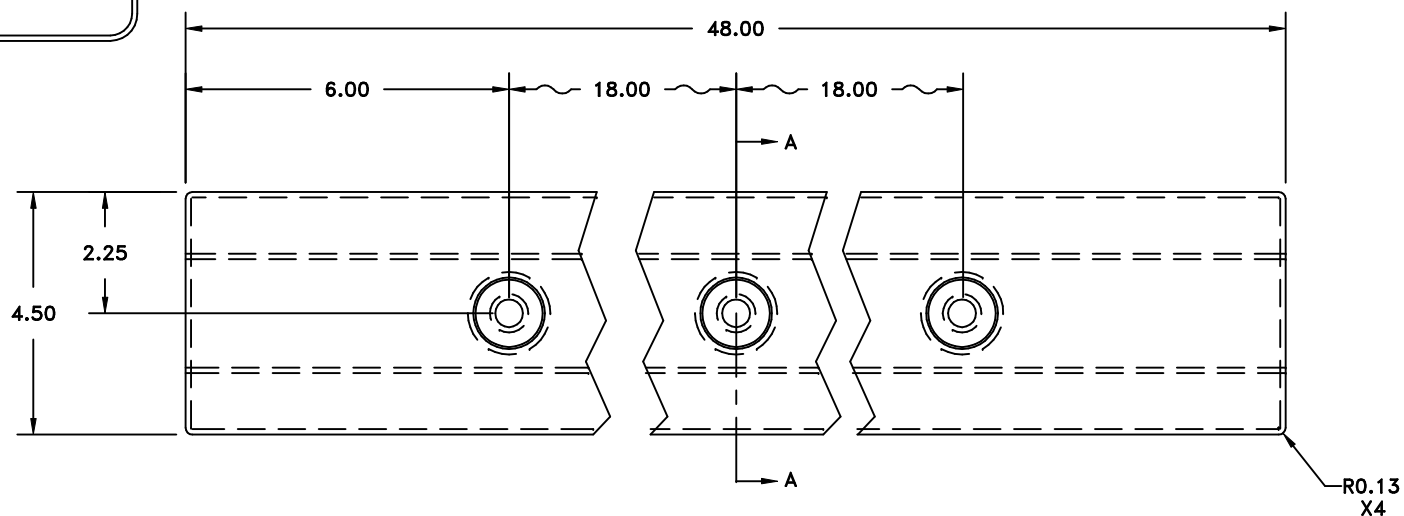
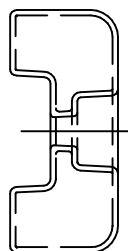


ALL RADII .13  
UNLESS SPECIFIED



DRAWN / DATE  
REH/11/20/97

MATERIAL / SHOT WEIGHT

ACE ROTO-MOLD

4010 HOSPERS DRIVE S. BOX 425, HOSPERS, IOWA 51238-0421

A	MATERIAL/ADDRESS UPDATED	CCN1275	ADH 12/18/07
REV	DESCRIPTION	DATE	APPRD

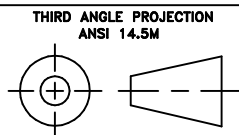
APPRD. / DATE  
REH/11/20/97

FLEX (A)  
MU736-00 OR EQUAL EVA ● 4.0 LB.  
FIRM (A)  
MOBIL 135 OR EQUAL ● 4.0 LB.

CLIENT / DESCRIPTION

ACE NO. 12 DOCK CUSHION X 4 FT.

ALL DIMENSIONS ARE IN DECIMAL INCHES  
TOLERANCES UNLESS OTHERWISE SPECIFIED  
±.060 EXCEPT HOLES ● ±.015



NOTES:

1. NOM. WALL ● .150
2. COLOR- SEE SCHEDULE
3. ADD U.V. INHIBITOR TO EVA RESIN MIX

SCALE  
DNS

PART NO.  
DC-12ST-WE