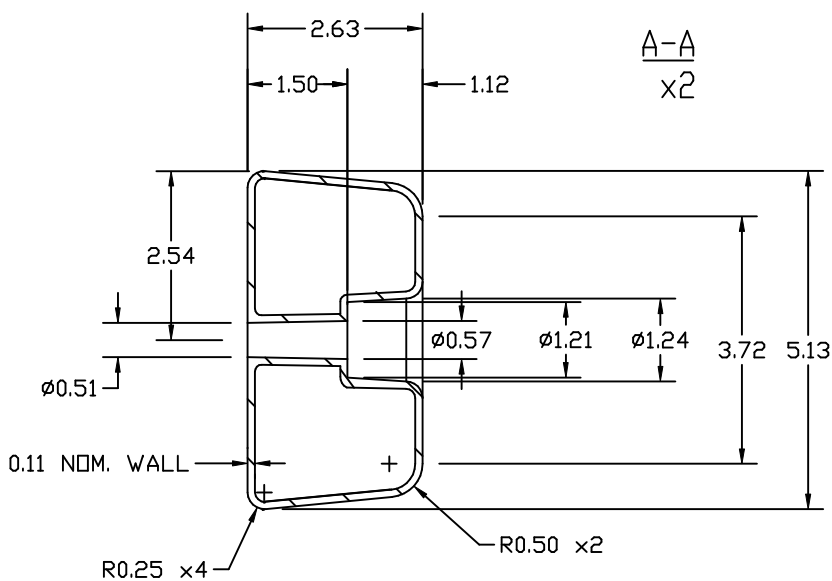
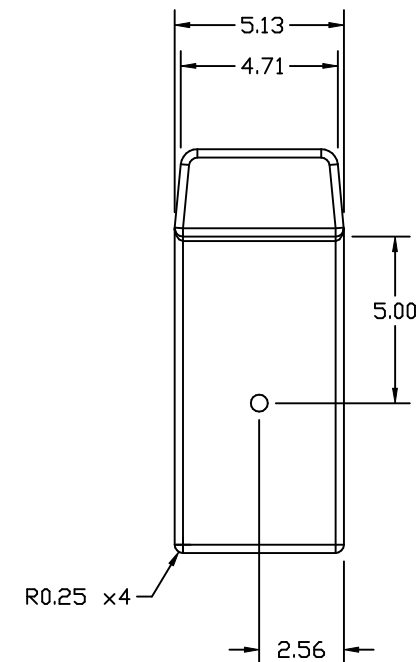
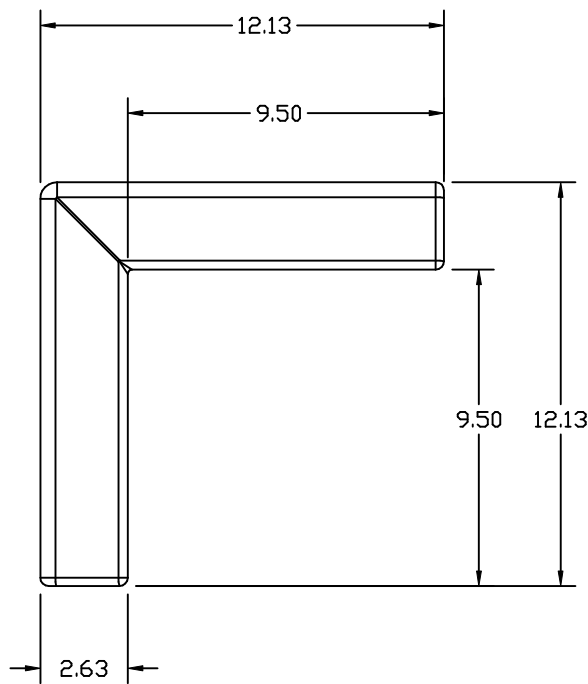
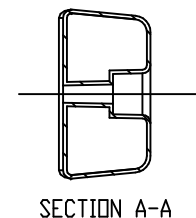
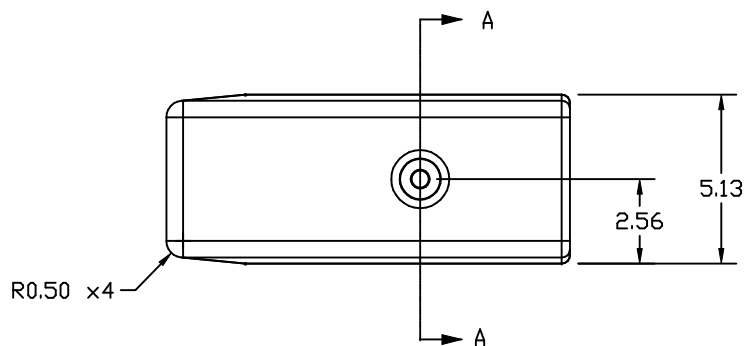


PROPRIETARY DATA

PROPERTY OF ACE ROTO-MOLD MFG., INC. INFORMATION FURNISHED HEREIN IS THE PROPERTY OF ACE ROTO-MOLD MFG., INC. AND SHALL NOT BE USED, DISCLOSED TO OTHERS, OR COPIED WITHOUT THE EXPRESSED WRITTEN CONSENT OF ACE ROTO-MOLD MFG., INC. ALL RIGHTS RESERVED.

DC-1ST-WE

A



DRAWN / DATE
NVE 3/21/06

MATERIAL

ACE ROTO-MOLD
A DIVISION OF DEN HARTOG INDUSTRIES, INC.
4010 HOSPERS DRIVE S. BOX 425, HOSPERS, IOWA 51238-0421

FLEX (A)
MU736-00 OR EQUAL EVA @ 1.3 LB.
FIRM (A)
MOBIL 135 OR EQUAL # 1.3 LB.

CLIENT / DESCRIPTION

ACE NO. 1 FLAT CORNER CUSHION

APPRD. / DATE
REH/4/17/06

NOTES:

1. WHITE OR BLACK COLOR
2. NOM. WALL @ .110
3. ADD U.V. INHIBITOR TO EVA RESIN MIX

SCALE
N.S.

PART NO.
DC-1ST-WE

ALL DIMENSIONS ARE IN DECIMAL INCHES
TOLERANCES UNLESS OTHERWISE SPECIFIED
± 1% @ 68° F

