

© DEN HARTOG INDUSTRIES, INC.

Copyright. All information furnished within this document, electronic file or design correspondence is the property of Den Hartog industries, Inc. and shall not be used, disclosed to others or copied without the expressed written consent of Den Hartog Industries, Inc.

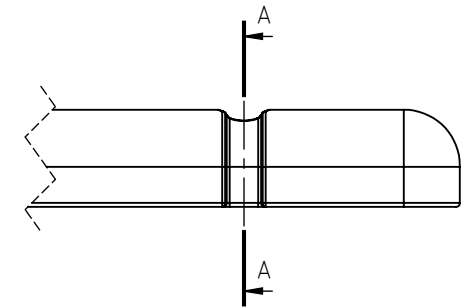
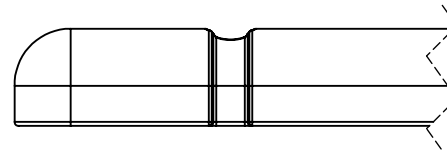
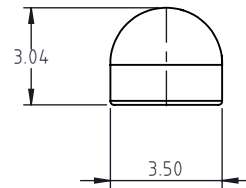
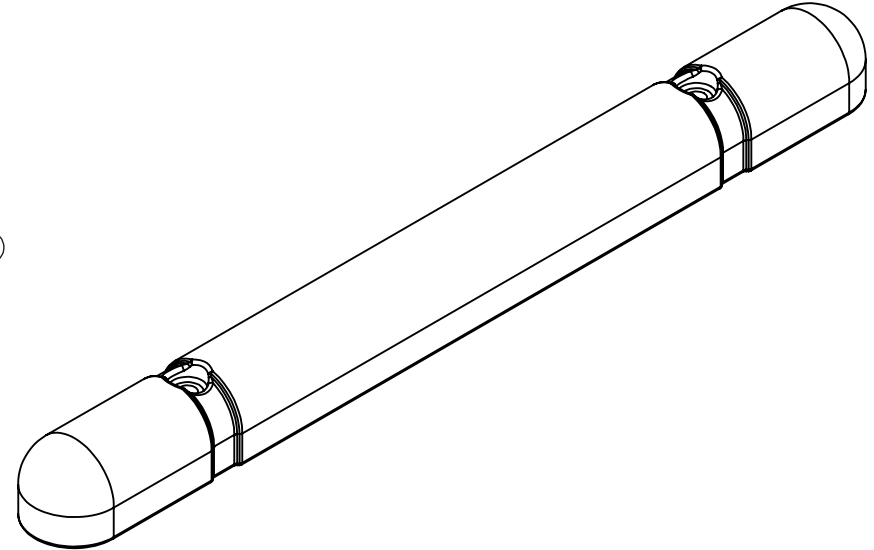
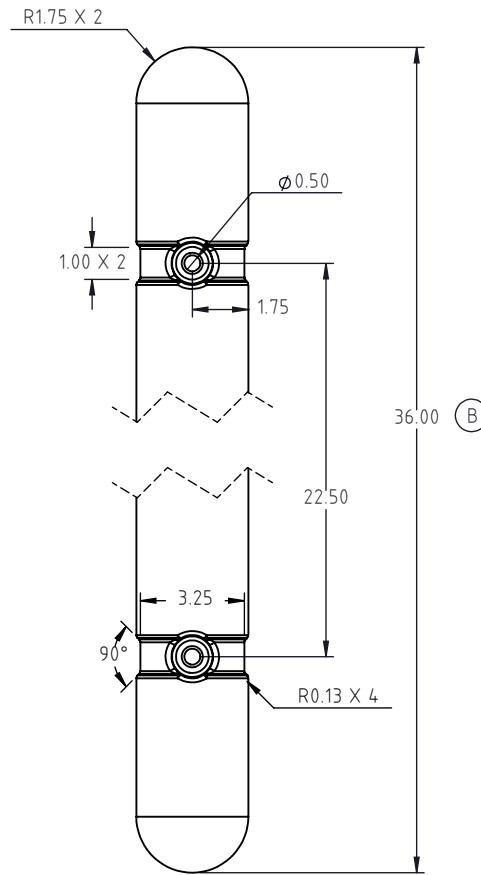
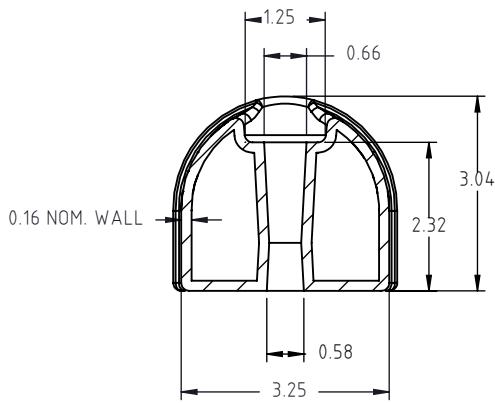
DC-4ST-WE

B



SECTION A-A

A-A
X3



B	LENGTH WAS 24"	ADH 10/21/10	2241	DRAWN / DATE ADH 10/20/10	MATERIAL (A) FLEX MU736-00 OR EQUAL EVA
A	MATERIAL / ADDRESS UPDATED	ADH 12/18/07	1275	APPRD. / DATE REH 10/21/10	FIRM MOBIL 135 OR EQUAL
REV	DESCRIPTION	BY / DATE	CCN	SHOT WEIGHT: 2.7 LB.	NOTES: 1.) WHITE OR YELLOW COLOR 2.) NOM. WALL @ .160 3.) ADD U.V. INHIBITOR TO EVA RESIN MIX
ALL DIMENSIONS ARE IN DECIMAL INCHES TOLERANCES UNLESS OTHERWISE SPECIFIED		THIRD ANGLE PROJECTION ANSI 14.5M		SHIPPING WEIGHT:	DESCRIPTION NO. 4 ROUND CUSHION x 36" LONG
POLYETHYLENE ±1% @ 68°F		METAL DECIMAL ± .125" FRACTION ± 1/4" ANGLE ± 1°		FINISH:	
					PART NO. DC-4ST-WE



Den Hartog
INDUSTRIES, INC.

Ace Roto-Mold Injection Molding Blow Molding Sowjoy

4010 HOSPERS DRIVE S. BOX 425, HOSPERS, IOWA 51238-0425