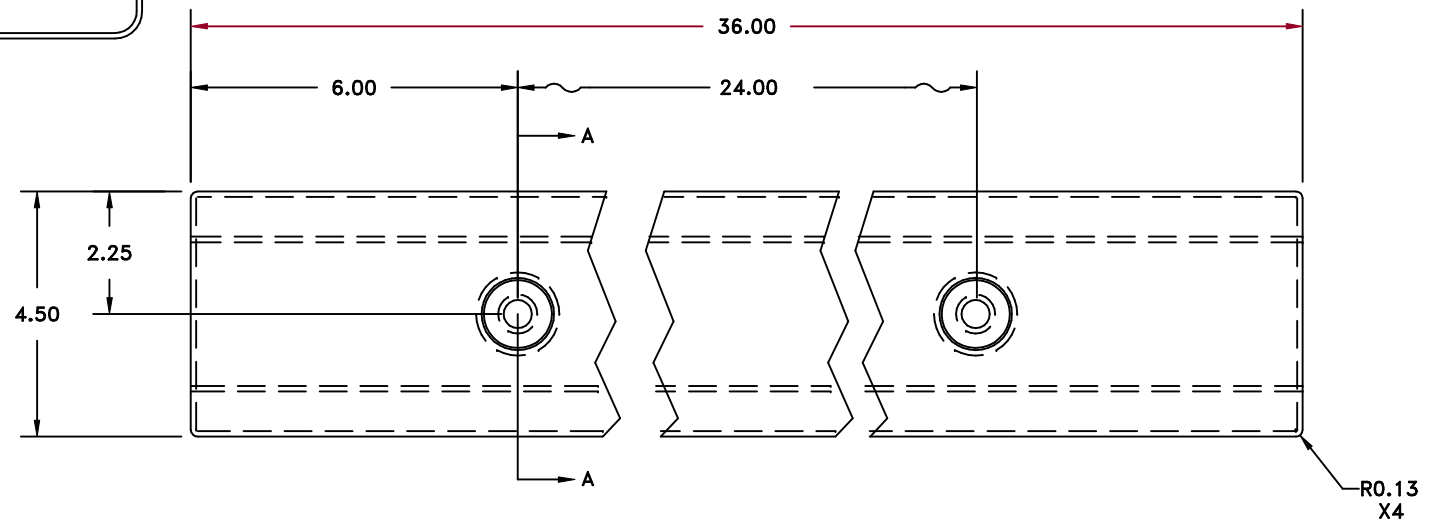
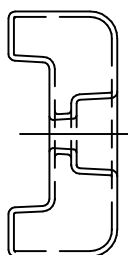


ALL RADII .13
UNLESS SPECIFIED



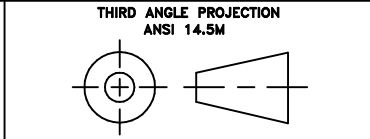
A	MATERIAL/ADDRESS UPDATED	CCN1275	ADH 12/19/07
REV	DESCRIPTION	DATE	APPRD

DRAWN / DATE	REH/12/15/97
APPRD. / DATE	REH/12/15/97

MATERIAL / SHOT WEIGHT	FLEX \odot MU736-00 OR EQUAL EVA \bullet 3.2 LB.
	FIRM \odot MOBIL 135 OR EQUAL \bullet 3.2 LB.

ACE ROTO-MOLD	
4010 HOSPERS DRIVE S. BOX 425, HOSPERS, IOWA 51238-0421	
CLIENT / DESCRIPTION	
ACE NO. 8 DOCK CUSHION X 3 FT.	

ALL DIMENSIONS ARE IN DECIMAL INCHES
TOLERANCES UNLESS OTHERWISE SPECIFIED
 $\pm .060$ EXCEPT HOLES $\bullet \pm .015$



- NOTES:
1. NOM. WALL \bullet .150
 2. COLOR- SEE SCHEDULE
 3. ADD U.V. INHIBITOR TO EVA RESIN MIX

SCALE	DNS	PART NO.	DC-8ST-WE
-------	-----	----------	-----------