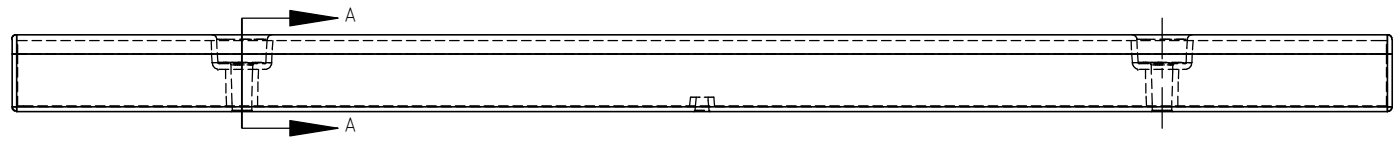
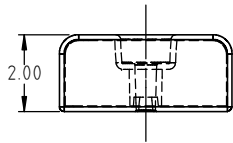
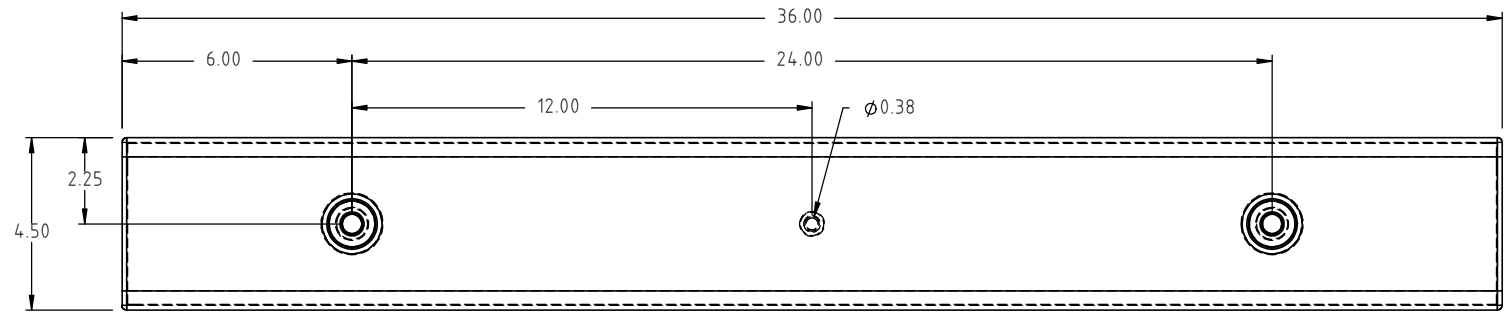
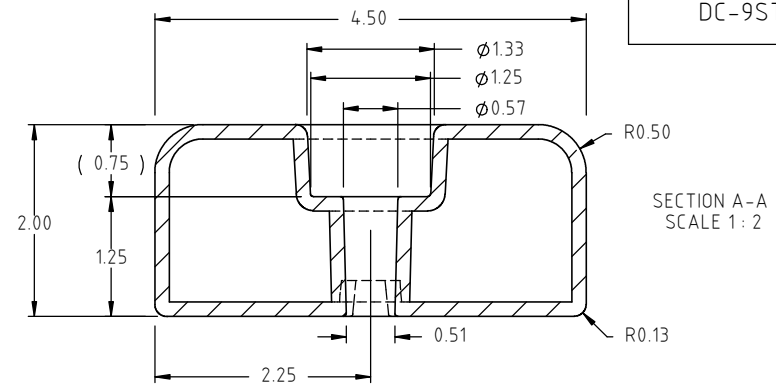


© DEN HARTOG INDUSTRIES, INC.

Copyright. All information furnished within this document, electronic file or design correspondence is the property of Den Hartog industries, Inc. and shall not be used, disclosed to others or copied without the expressed written consent of Den Hartog Industries, Inc.

DC-9ST-WE

C



C	PART REDESIGNED	ADH 9/1/12	2506	DRAWN / DATE	MATERIAL
B	PRINT REMADE TO MATCH PRODUCT DIMENSIONS. LL8450 WAS MOBIL 135.	ADH 8/13/12	2471	REH 11/20/97	FLEX (A) MU736-00 OR EQUAL EVA
A	MATERIAL/ADDRESS UPDATED	ADH 12/19/07	1275	APPRD. / DATE	FIRM (A)(B) LL8450 OR EQUAL
REV	DESCRIPTION	BY / DATE	CCN	REH 11/20/97	
ALL DIMENSIONS ARE IN DECIMAL INCHES TOLERANCES UNLESS OTHERWISE SPECIFIED		THIRD ANGLE PROJECTION ANSI 14.5M		SHOT WEIGHT: 2.50 LBS	NOTES: 1.) NOM. WALL @ .150 2.) WHITE OR BLACK COLOR 3.) ADD U.V. INHIBITOR TO EVA RESIN MIX
POLYETHYLENE		METAL DECIMAL ± .125" FRACTION ± 1/4" ANGLE ± 1°		SHIPPING WEIGHT:	
±1% @ 68°F				FINISH:	



**Den Hartog**  
INDUSTRIES, INC.

*Ace Roto-Mold Injection Molding Blow Molding Sowjoy*

4010 HOSPERS DRIVE S. BOX 425, HOSPERS, IOWA 51238-0425

DESCRIPTION	ACE NO. 9 DOCK CUSHION X 3 FT.	
SCALE	N.S.	PART NO. DC-9ST-WE