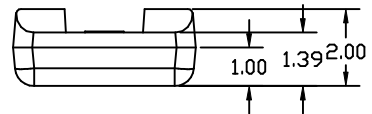
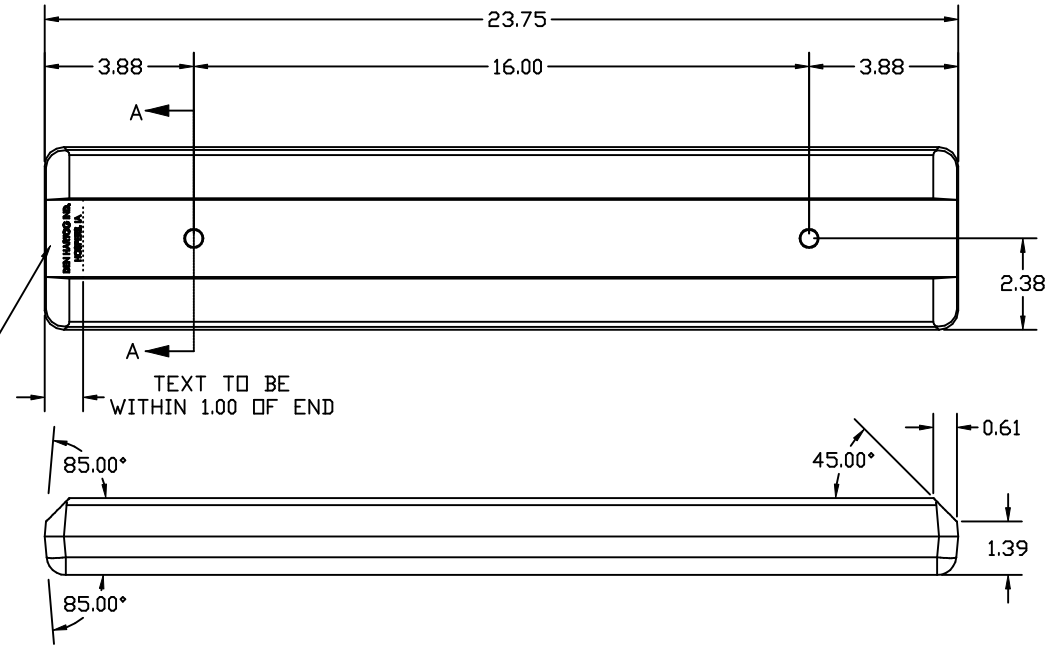
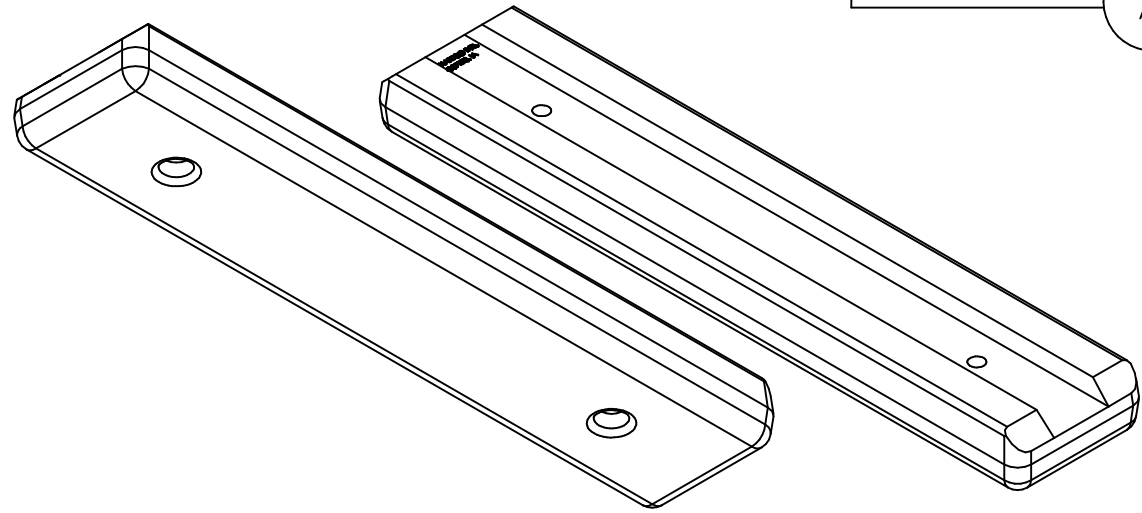
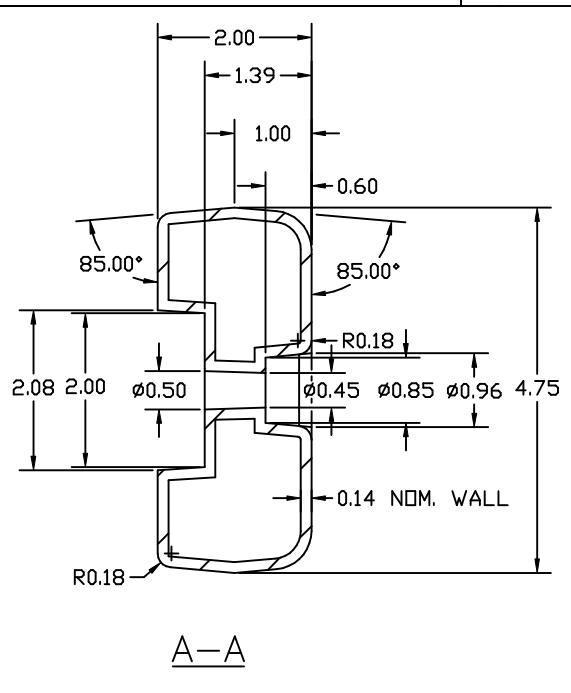
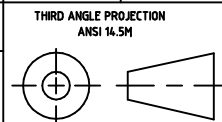


Copyright. All information furnished within this document, electronic file or design correspondence is the property of Den Hartog Industries, Inc. and shall not be used, disclosed to others or copied without the expressed written consent of Den Hartog Industries, Inc.



ALL RADII 0.50
UNLESS SPECIFIED

| | | | | | |
|-----|---|-------------|------|------------------------------|-------------------------------|
| | | | | DRAWN / DATE NVE 5/25/06 | MATERIAL |
| A | MATERIALS IDENTIFIED, DRAWING TEMPLATE UPDATED | ADH 9/11/09 | 1931 | APPRD. / DATE ADH 9/11/09 | Ⓐ 80007=80% 80001=20% |
| REV | DESCRIPTION | BY / DATE | CCN | SHOT WEIGHT: 1.67 LBS. | NOTES: |
| | ALL DIMENSIONS ARE IN DECIMAL INCHES TOLERANCES UNLESS OTHERWISE SPECIFIED | | | SHIPPING WEIGHT: | 1.) NOM. WALL @ .140 |
| | POLYETHYLENE | | | FINISH: | 2.) COMPOUNDED U.V. INHIBITOR |
| | ±1% @ 68° F | | | | 3.) BLACK OR WHITE COLOR |
| | METAL DECIMAL ± .125" FRACTION ± 1/4" ANGLE ± 1° | | | | |



Den Hartog
INDUSTRIES, INC.

Ace Roto-Mold Injection Molding Blow Molding SowJoy
4010 HOSPERS DRIVE S. BOX 425, HOSPERS, IOWA 51238-0425

| | | |
|-------------|--|---------------------|
| DESCRIPTION | BLOW-MOLDED 2" GROOVE BACK CUSHION - 2 FEET LONG | |
| SCALE | N.S. | PART NO. DCBM2-2.00 |