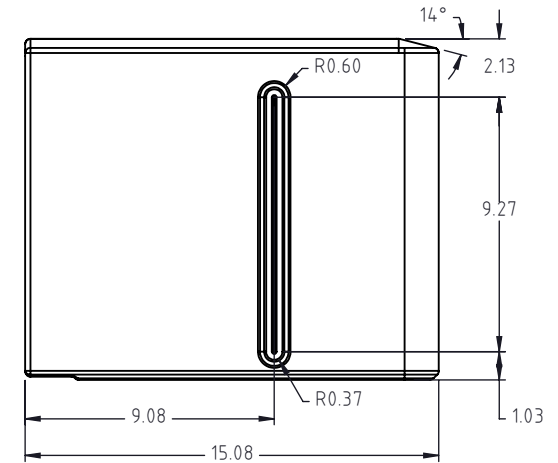
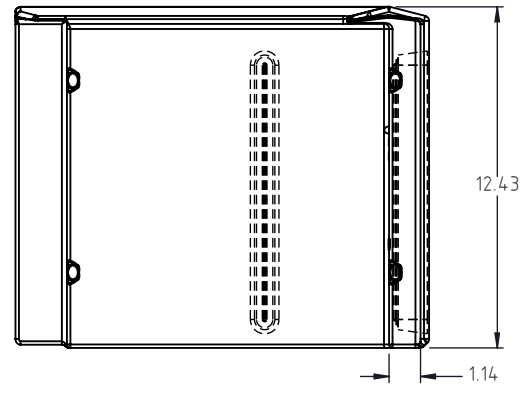
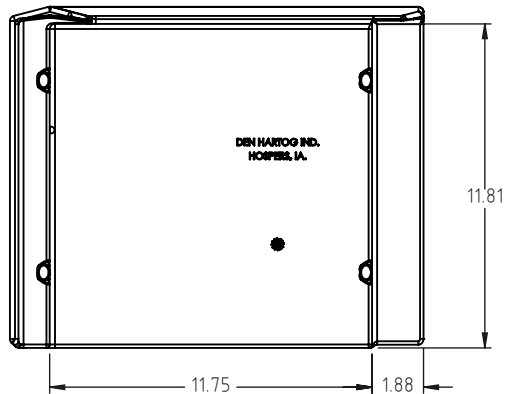
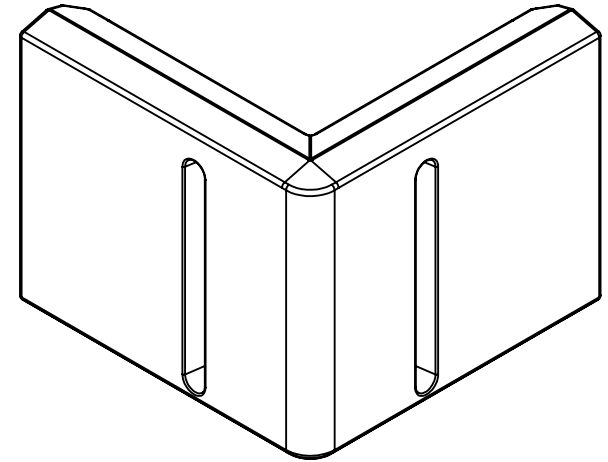
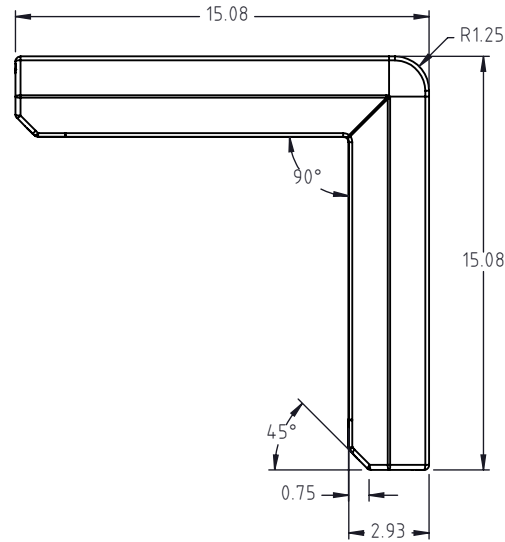
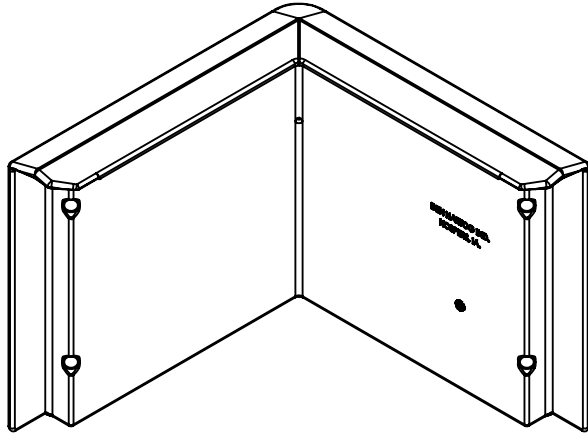


Copyright. All information furnished within this document, electronic file or design correspondence is the property of Den Hartog industries, Inc. and shall not be used, disclosed to others or copied without the expressed written consent of Den Hartog Industries, Inc.



DRAWN / DATE ADH 3/20/2025	MATERIAL : HDPE OR EQUIVALENT REFERENCE MATERIAL DATA SHEET FOR SPECIFIC PROPERTIES.
APPROD. / DATE BES 4/2/2025	



**Den Hartog
INDUSTRIES, INC.**

Ace Roto-Mold • Injection Molding • Blow Molding • Sowjoy
4010 HOSPERS DRIVE S. BOX 425, HOSPERS, IOWA 51238-0425

SHOT WEIGHT: 4.50 LBS.	NOTES: 1.) NOM. WALL @ .140 2.) COMPOUNDED U.V. INHIBITOR. 3.) BLACK OR WHITE COLOR.
SHIPPING WEIGHT:	
FINISH: Remove flash	

DESCRIPTION CUSHION, 24" X 12" CORNER BLOW MOLDED		SHEET 1 OF 1
SCALE N.S.	PART NO. DCBM24-12C	

REV.	DESCRIPTION	BY	DATE	CCN
ALL DIMENSIONS ARE IN DECIMAL INCHES TOLERANCES UNLESS OTHERWISE SPECIFIED				
POLYETHYLENE ±1% @ 68°F		THIRD ANGLE PROJECTION ANSI 14.5M		
METAL DECIMAL ± .125" FRACTION ± 1/4" ANGLE ± 1°				