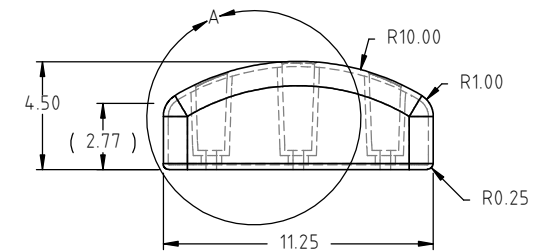
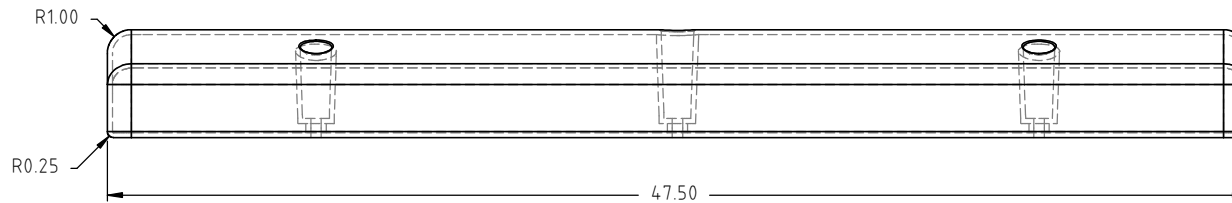
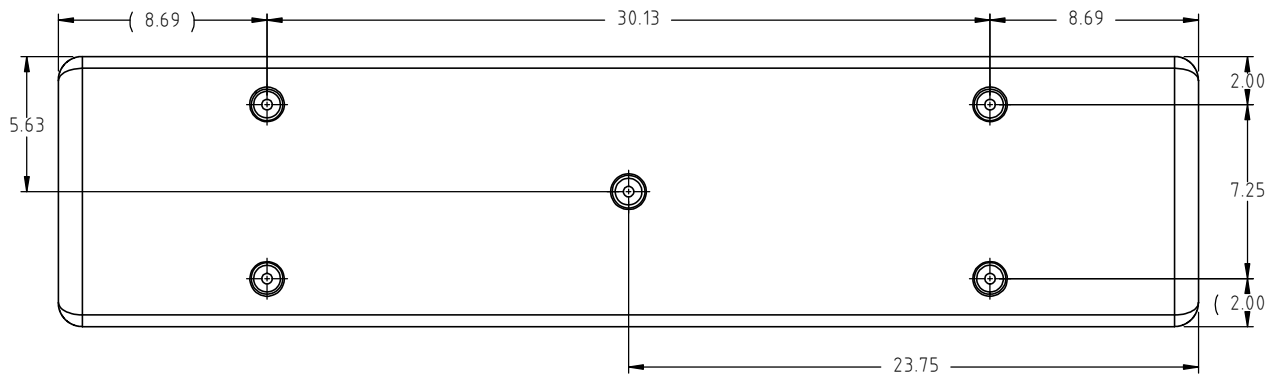
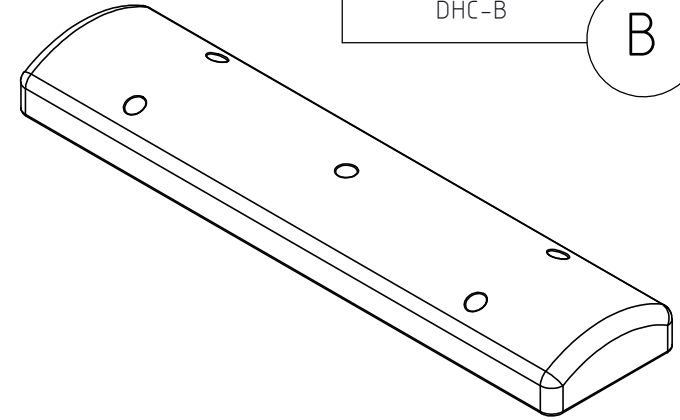
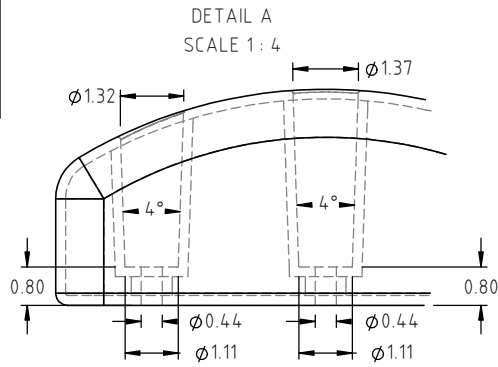


© DEN HARTOG INDUSTRIES, INC.

Copyright. All information furnished within this document, electronic file or design correspondence is the property of Den Hartog industries, Inc. and shall not be used, disclosed to others or copied without the expressed written consent of Den Hartog Industries, Inc.

DHC-B

B



B	DIMENSIONS UPDATED TO MATCH NEW MOLD	DHJ 12/20/17	3480	DRAWN / DATE NVE 11/11/05	MATERIAL HDPE OR EQUIVALENT REFERENCE MATERIAL DATA SHEET FOR SPECIFIC PROPERTIES.
A	MATERIAL/ADDRESS UPDATED	ADH 12/19/07	1275	APPRD. / DATE REH 1/12/06	
REV	DESCRIPTION	BY / DATE	CCN		
ALL DIMENSIONS ARE IN DECIMAL INCHES TOLERANCES UNLESS OTHERWISE SPECIFIED		THIRD ANGLE PROJECTION ANSI 14.5M		SHOT WEIGHT: 10.00 LBS	NOTES: 1.) BLACK COLOR 2.) AVAILABLE FLEX - SQ FIRM - ST
POLYETHYLENE		METAL DECIMAL ± .125" FRACTION ± 1/4" ANGLE ± 1°		SHIPPING WEIGHT: 10.00 LBS	
±1% @ 68°F				FINISH:	



Den Hartog
INDUSTRIES, INC.

Acra Roto-Mold Injection Molding Blow Molding Sowjoy

4010 HOSPERS DRIVE S. BOX 425, HOSPERS, IOWA 51238-0425

DESCRIPTION DOCK HARBOR B CUSHION	
SCALE N.S.	PART NO. DHC-B