

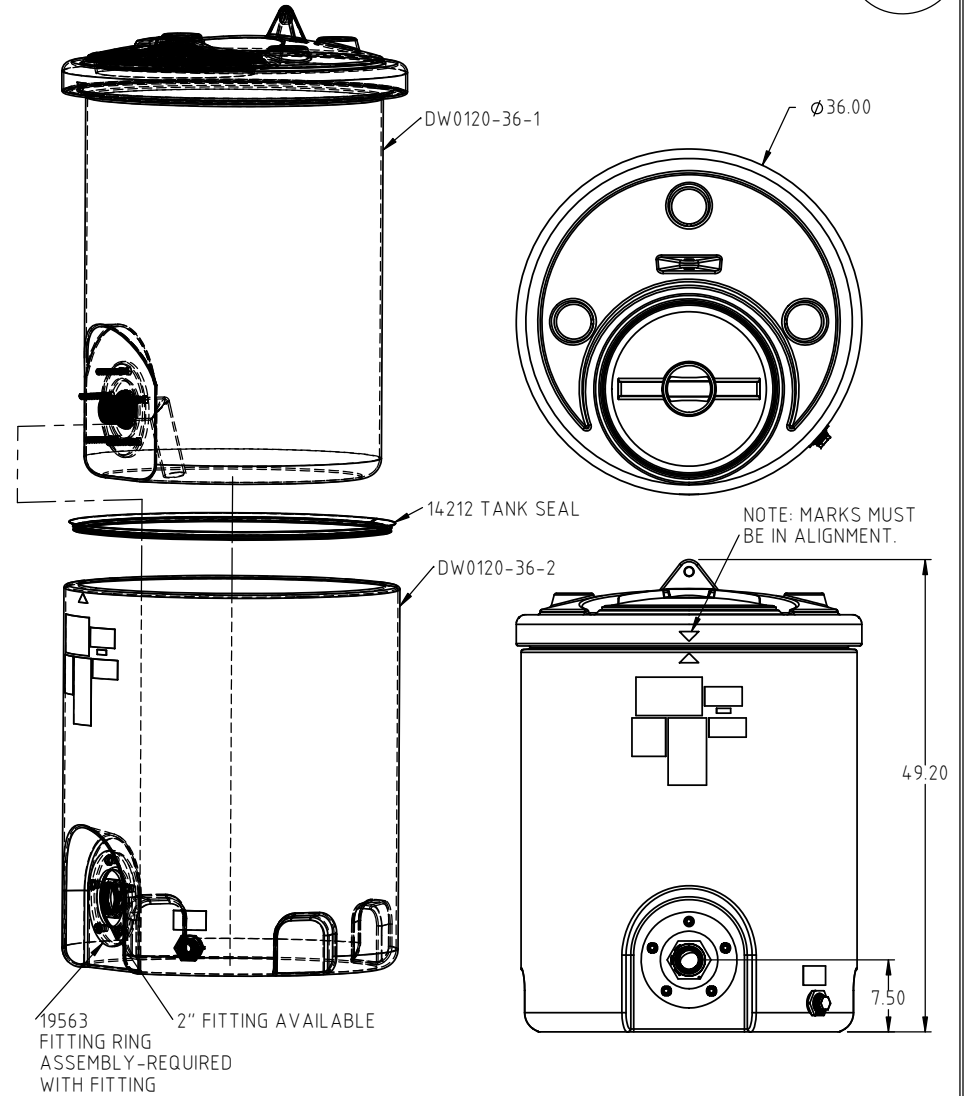
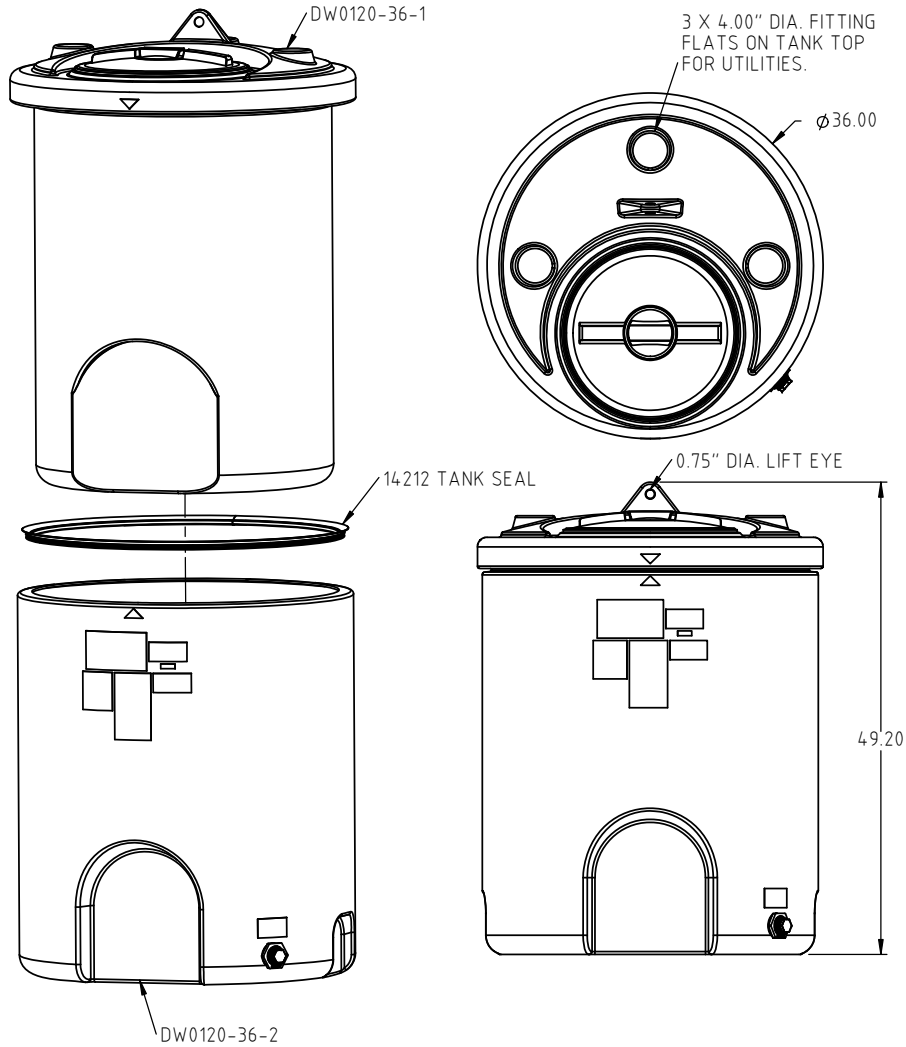
© DEN HARTOG INDUSTRIES, INC.

Copyright. All information furnished within this document, electronic file or design correspondence is the property of Den Hartog Industries, Inc. and shall not be used, disclosed to others or copied without the expressed written consent of Den Hartog Industries, Inc.


STANDARD TANK ASSEMBLY

TANK ASSEMBLY WITH OPTIONAL FITTING

DW0120-36



REV	DESCRIPTION	BY / DATE	CCN	DRAWN / DATE ADH 8/28/14	MATERIAL SEE NOTE 1
				APPRD. / DATE REH 2/13/15	
	ALL DIMENSIONS ARE IN DECIMAL INCHES TOLERANCES UNLESS OTHERWISE SPECIFIED	THIRD ANGLE PROJECTION ANSI 14.5M		SHOT WEIGHT:	NOTES: 1.) REFERENCE COMPONENT PRINTS FOR DETAILS 2.) PATENT PENDING
	POLYETHYLENE ±1% @ 68°F			SHIPPING WEIGHT: 81 LBS. (STANDARD)	
	METAL DECIMAL ± .125" FRACTION ± 1/4" ANGLE ± 1°			FINISH:	



**Den Hartog**  
INDUSTRIES, INC.

Ace Roto-Mold Injection Molding Blow Molding Sowjoy

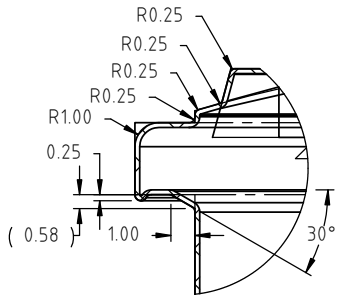
4010 HOSPERS DRIVE S. BOX 425, HOSPERS, IOWA 51238-0425

DESCRIPTION	120 GALLON DUAL LINE™ TANK ASSEMBLY	
SCALE	N.S.	PART NO. DW0120-36

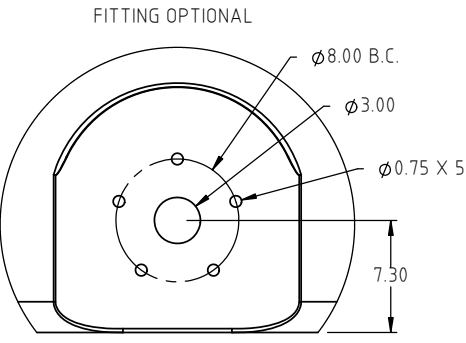
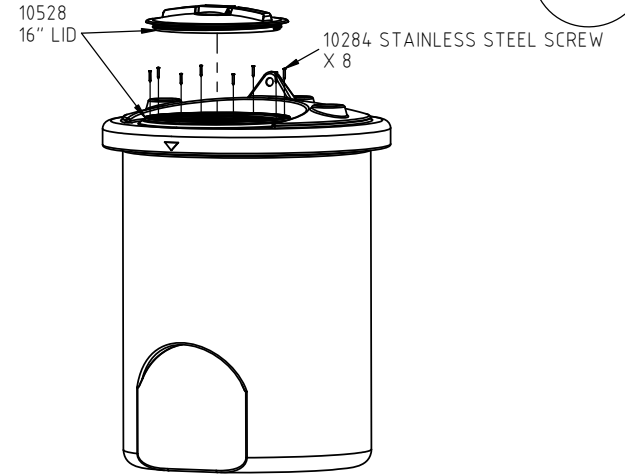
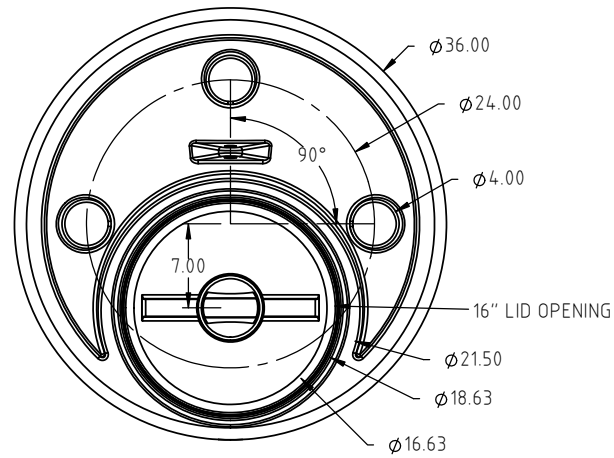
© DEN HARTOG INDUSTRIES, INC.

Copyright. All information furnished within this document, electronic file or design correspondence is the property of Den Hartog Industries, Inc. and shall not be used, disclosed to others or copied without the expressed written consent of Den Hartog Industries, Inc.

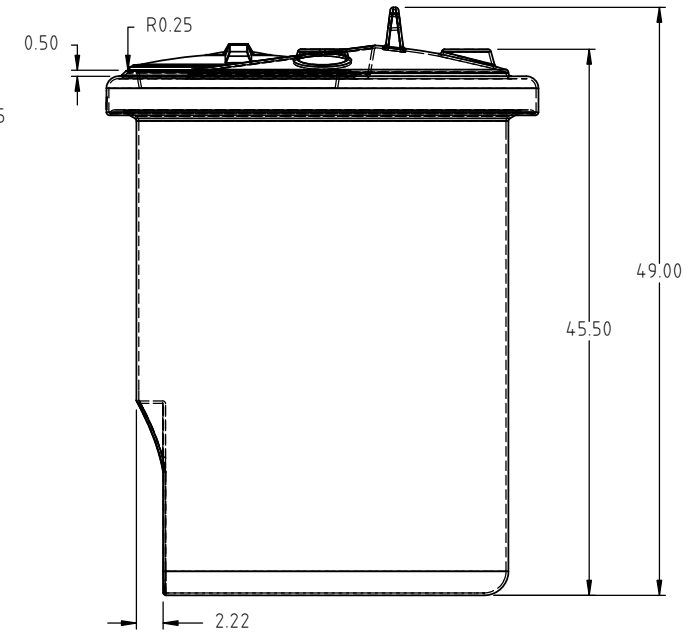
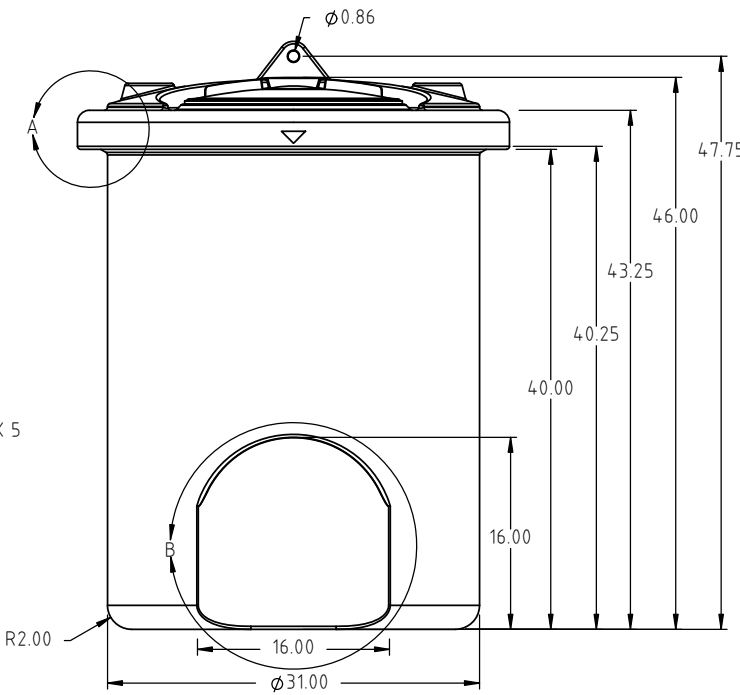
DW0120-36-1



DETAIL A  
SCALE 1:10



DETAIL B  
SCALE 2:25



REV	DESCRIPTION	BY / DATE	CCN	DRAWN / DATE ADH 2/19/14	MATERIAL 10420
				APPRD. / DATE REH 2/13/15	
ALL DIMENSIONS ARE IN DECIMAL INCHES TOLERANCES UNLESS OTHERWISE SPECIFIED		THIRD ANGLE PROJECTION ANSI 14.5M		SHOT WEIGHT: 42 LBS	NOTES: 1.) 0.200 NOM. WALL THICKNESS 2.) PATENT PENDING
POLYETHYLENE		METAL DECIMAL ± .125" FRACTION ± 1/4" ANGLE ± 1°		SHIPPING WEIGHT:	
±1% @ 68°F				FINISH:	SCALE: N.S.



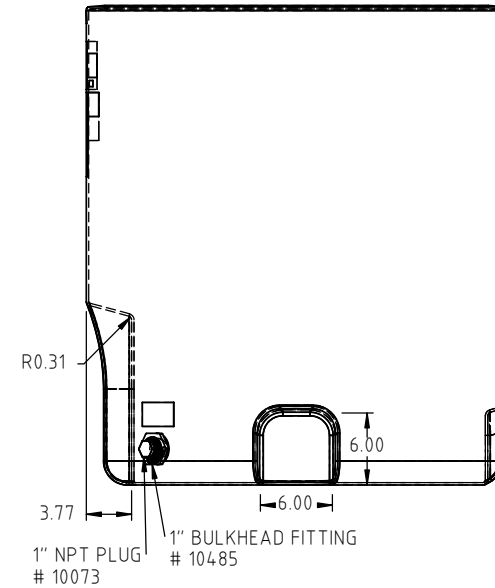
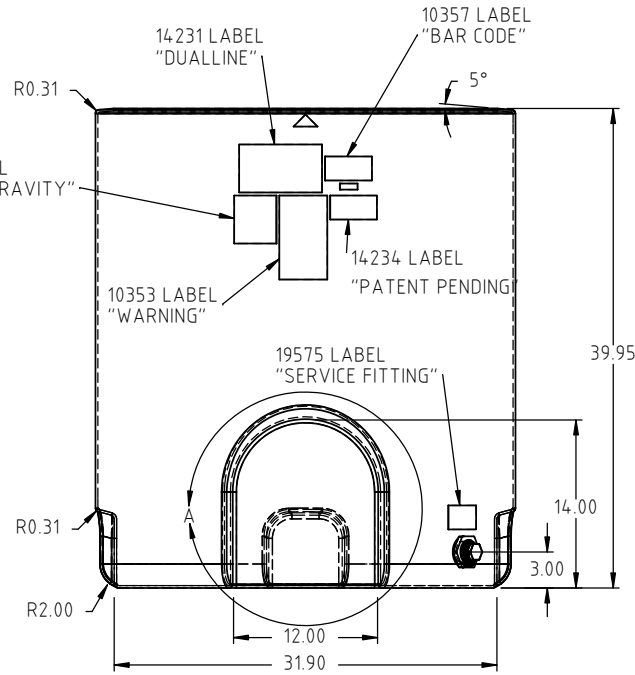
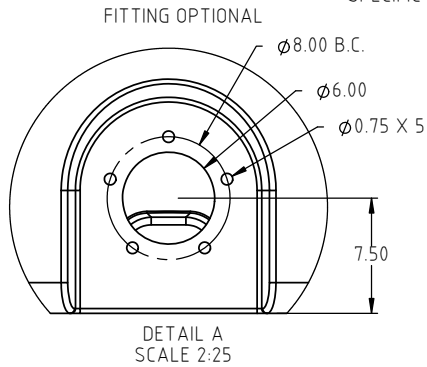
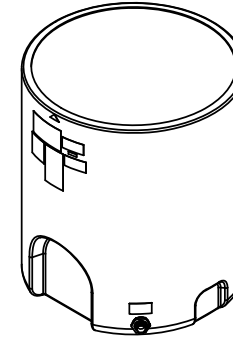
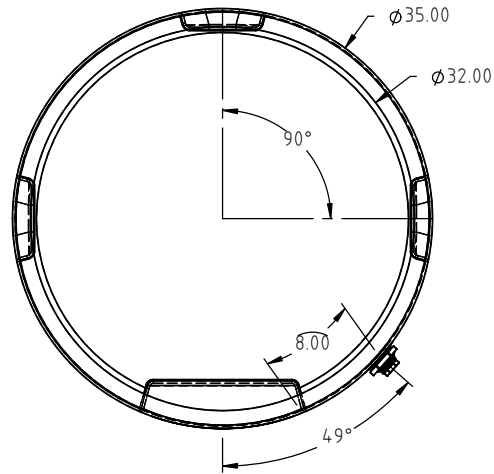
**Den Hartog**  
INDUSTRIES, INC.

Ace Roto-Mold Injection Molding Blow Molding Sowjoy

4010 HOSPERS DRIVE S. BOX 425, HOSPERS, IOWA 51238-0425

DESCRIPTION 120 GALLON DUAL LINE™ TANK-INNER TANK	
SCALE N.S.	PART NO. DW0120-36-1

Copyright. All information furnished within this document, electronic file or design correspondence is the property of Den Hartog Industries, Inc. and shall not be used, disclosed to others or copied without the expressed written consent of Den Hartog Industries, Inc.



		DRAWN / DATE ADH 2/19/14		MATERIAL  10420
		APPROD. / DATE REH 10/20/14		
REV	DESCRIPTION	BY / DATE	CCN	
ALL DIMENSIONS ARE IN DECIMAL INCHES TOLERANCES UNLESS OTHERWISE SPECIFIED		THIRD ANGLE PROJECTION ANSI 14.5M		SHOT WEIGHT: 43 LBS.
POLYETHYLENE		METAL DECIMAL ± .125" FRACTION ± 1/4" ANGLE ± 1°		SHIPPING WEIGHT: 37 LBS.
±1% @ 68°F				FINISH:
				NOTES: 1) 0.200 NOM. WALL THICKNESS 2) PATENT PENDING



**Den Hartog**  
INDUSTRIES, INC.

Ace Roto-Mold Injection Molding Blow Molding Sowjoy

4010 HOSPERS DRIVE S. BOX 425, HOSPERS, IOWA 51238-0425

DESCRIPTION 120 GALLON DUAL LINE™ TANK- OUTER TANK	
SCALE N.S.	PART NO. DW0120-36-2