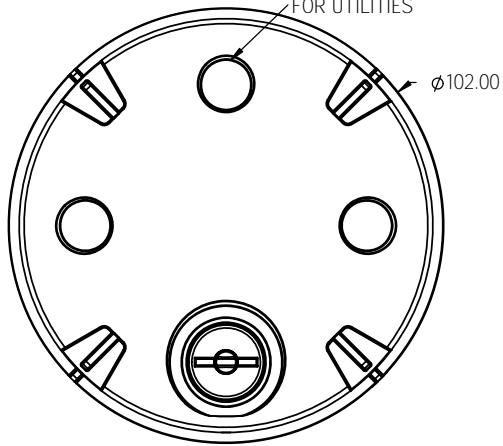
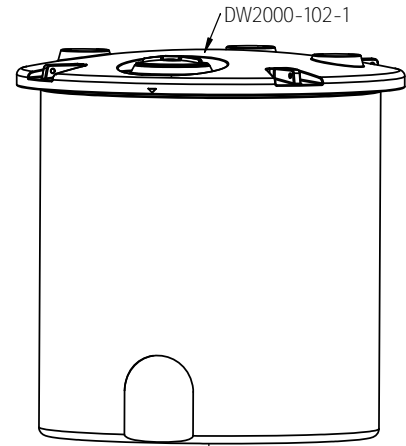


© DEN HARTOG INDUSTRIES, INC.

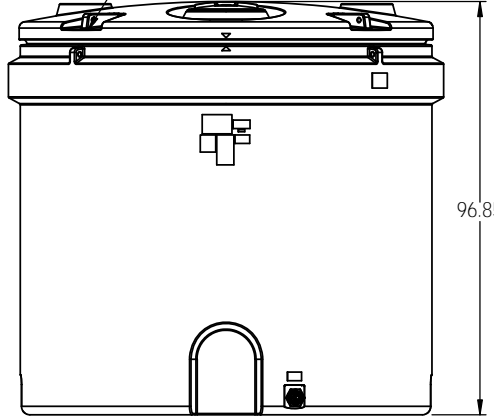
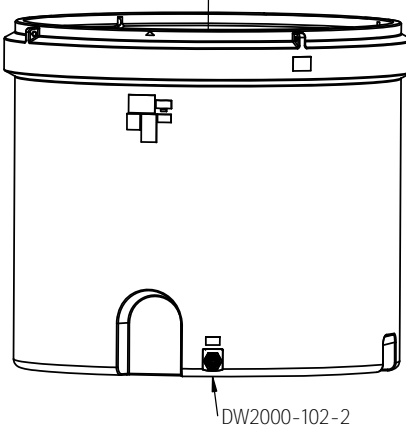
Copyright. All information furnished within this document, electronic file or design correspondence is the property of Den Hartog Industries, Inc. and shall not be used, disclosed to others or copied without the expressed written consent of Den Hartog Industries, Inc.

STANDARD CONFIGURATION



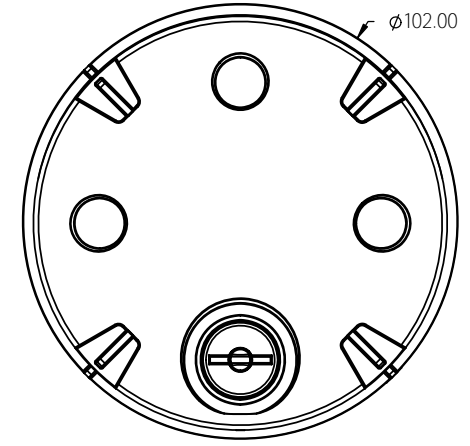
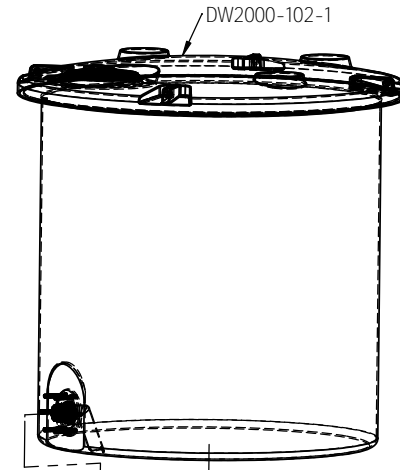
14215-TANK SEAL

IMPORTANT  
CONNECT ALL FOUR ADJOINING  
LIFT LUGS TOGETHER FOR SHIPMENT



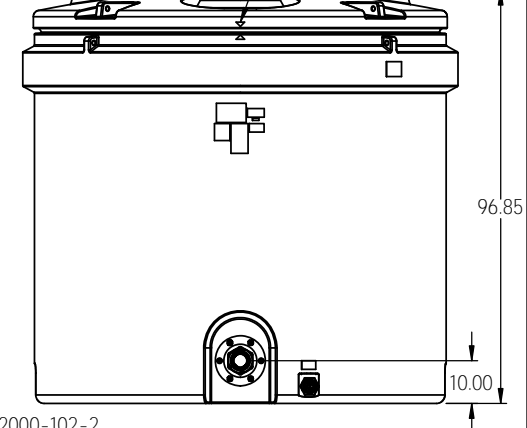
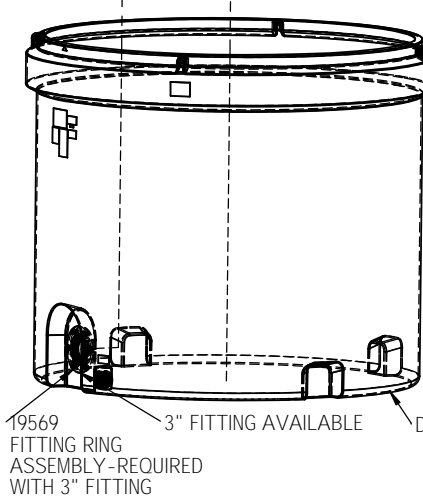
TANK ASSEMBLY WITH OPTIONAL FITTING

DW2000-102



14215 TANK SEAL

NOTE: MARKS MUST  
BE IN ALIGNMENT



REV	DESCRIPTION	BY / DATE	CCN	DRAWN / DATE ADH 10/1/14	MATERIAL SEE NOTE 1
				APPRD. / DATE REH 9/15/15	
	ALL DIMENSIONS ARE IN DECIMAL INCHES TOLERANCES UNLESS OTHERWISE SPECIFIED	THIRD ANGLE PROJECTION ANSI 14.5M	SHOT WEIGHT:	NOTES:	
	POLYETHYLENE ±1% @ 68°F		SHIPPING WEIGHT: STANDARD 907 LBS.	1.) REFERENCE COMPONENT PRINTS FOR DETAILS	
	METAL DECIMAL ± .125" FRACTION ± 1/4" ANGLE ± 1°		FINISH:	2.) PATENT 9,162,816	



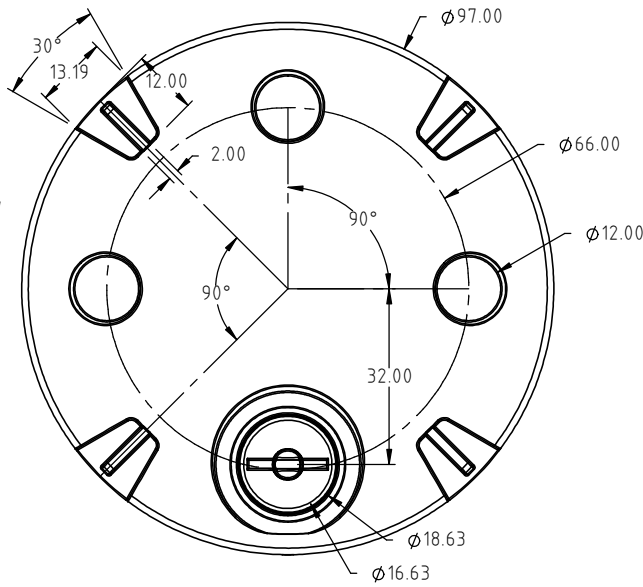
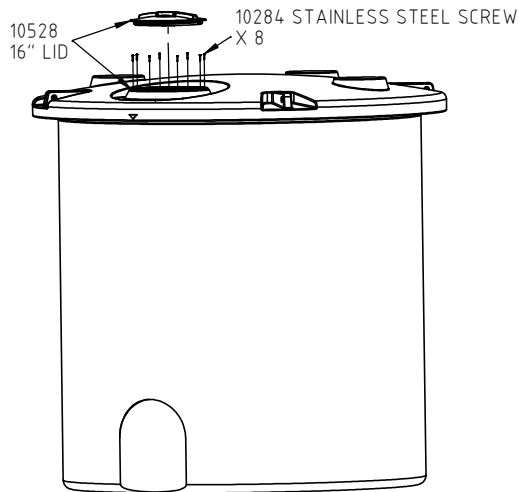
**Den Hartog**  
INDUSTRIES, INC.

Ace Roto-Mold Injection Molding Blow Molding Sowjoy

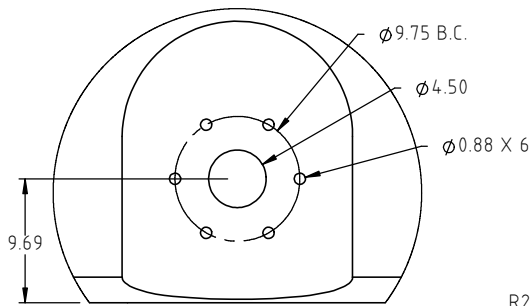
4010 HOSPERS DRIVE S. BOX 425, HOSPERS, IOWA 51238-0425

DESCRIPTION	2000 GALLON DUAL LINE™ TANK ASSEMBLY	
SCALE	N.S.	PART NO. DW2000-102

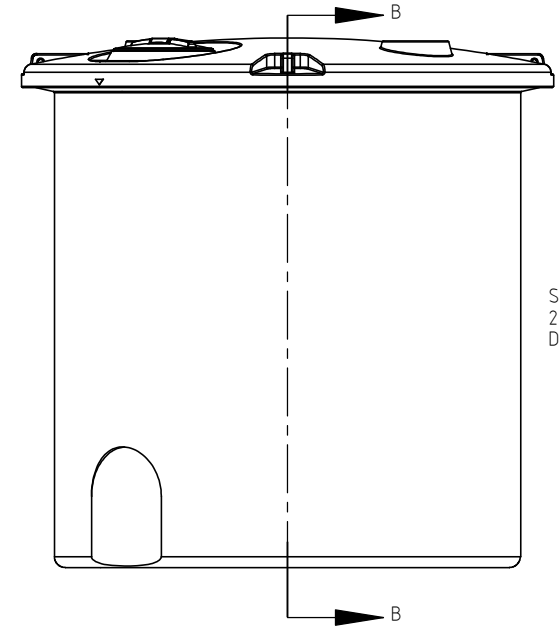
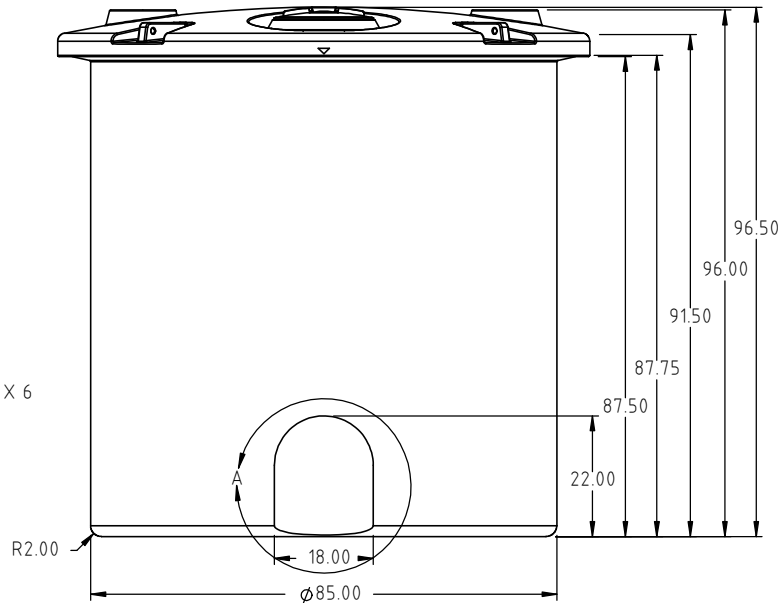
Copyright. All information furnished within this document, electronic file or design correspondence is the property of Den Hartog Industries, Inc. and shall not be used, disclosed to others or copied without the expressed written consent of Den Hartog Industries, Inc.



FITTING OPTIONAL



DETAIL A  
SCALE 1:15



SEE SHEET  
2 OF 2 FOR  
DETAILS

REV	DESCRIPTION	BY / DATE	CCN	DRAWN / DATE ADH 10/16/12	MATERIAL 10420
				APPRO. / DATE REH 9/22/15	
ALL DIMENSIONS ARE IN DECIMAL INCHES TOLERANCES UNLESS OTHERWISE SPECIFIED		THIRD ANGLE PROJECTION ANSI 14.5M		SHOT WEIGHT: 473 LBS.	NOTES: 1.) 0.35 NOM. WALL THICKNESS 2.) PATENT 9,162,816
POLYETHYLENE ±1% @ 68°F		METAL DECIMAL ± .125" FRACTION ± 1/4" ANGLE ± 1°		SHIPPING WEIGHT: 475 LBS.	
		FINISH:			

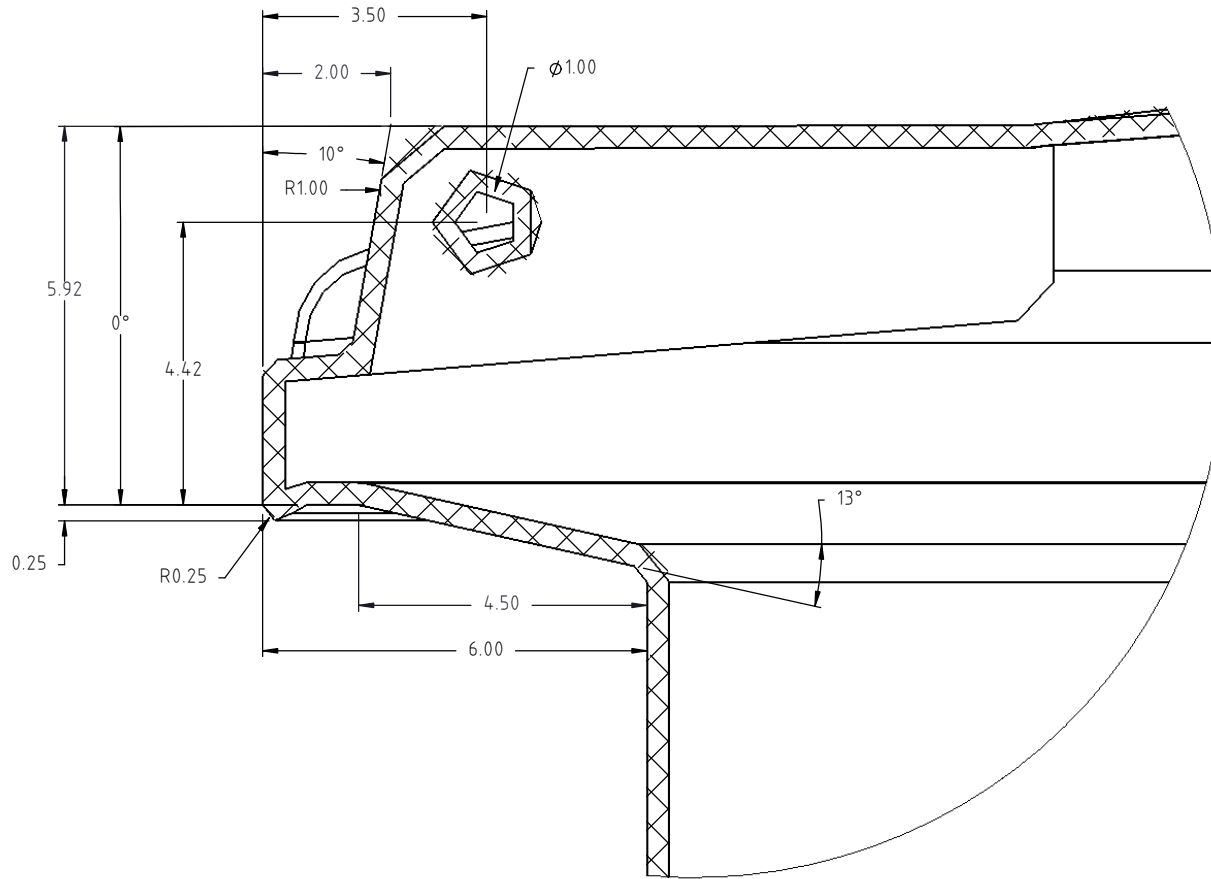


**Den Hartog**  
INDUSTRIES, INC.

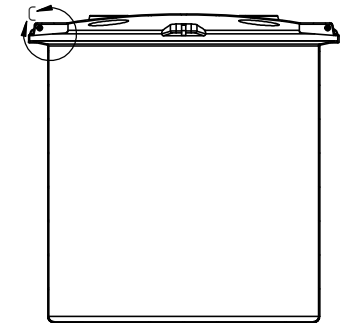
Ace Roto-Mold Injection Molding Blow Molding Sowjoy

4010 HOSPERS DRIVE S. BOX 425, HOSPERS, IOWA 51238-0425

DESCRIPTION 2000 GALLON DUAL LINE™ TANK-INNER TANK-1 OF 2	
SCALE N.S.	PART NO. DW2000-102-1



DETAIL C  
SCALE 1:3



SECTION B-B  
SCALE 1:60

				DRAWN / DATE ADH 10/16/12	MATERIAL
				APPRO. / DATE REH 9/22/15	
REV	DESCRIPTION	BY / DATE	CCN	SHOT WEIGHT:	NOTES: 1.) PATENT 9,162,816
				SHIPPING WEIGHT:	
				FINISH:	
ALL DIMENSIONS ARE IN DECIMAL INCHES TOLERANCES UNLESS OTHERWISE SPECIFIED		THIRD ANGLE PROJECTION ANSI 14.5M			
POLYETHYLENE ±1% @ 68°F					
METAL DECIMAL ± .125" FRACTION ± 1/4" ANGLE ± 1°					



**Den Hartog**  
INDUSTRIES, INC.

Ace Roto-Mold Injection Molding Blow Molding Sowjoy

4010 HOSPERS DRIVE S. BOX 425, HOSPERS, IOWA 51238-0425

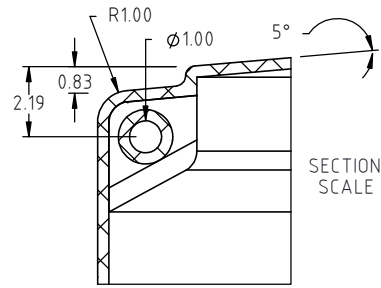
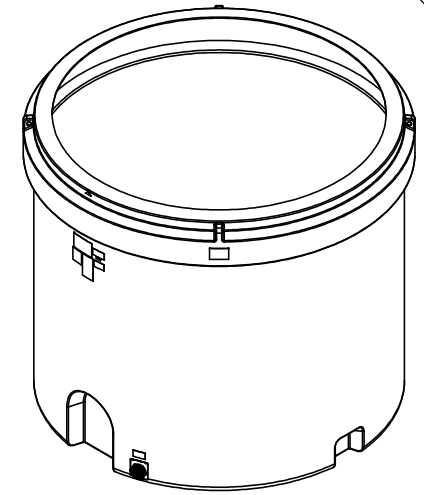
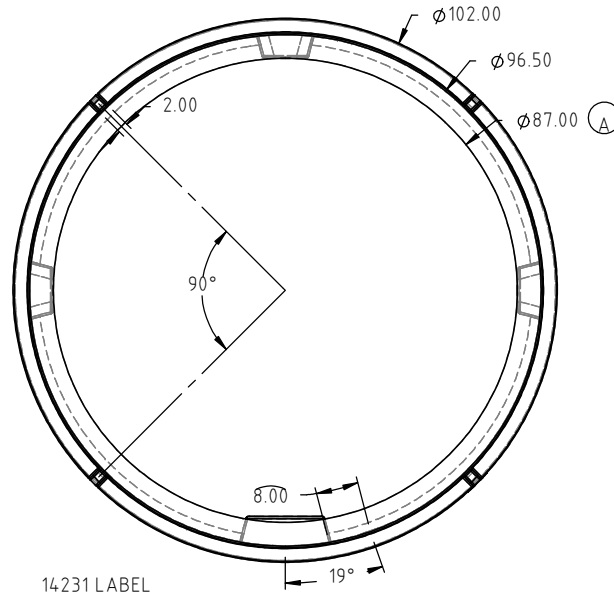
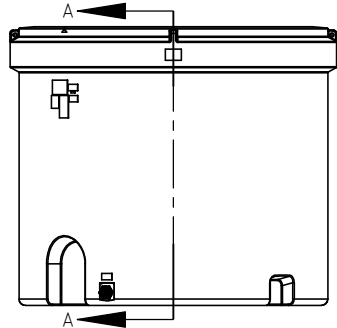
DESCRIPTION 1500 GALLON DUAL LINE™ TANK-INNER TANK- 2 OF 2	
SCALE N.S.	PART NO.

© DEN HARTOG INDUSTRIES, INC.

Copyright. All information furnished within this document, electronic file or design correspondence is the property of Den Hartog Industries, Inc. and shall not be used, disclosed to others or copied without the expressed written consent of Den Hartog Industries, Inc.

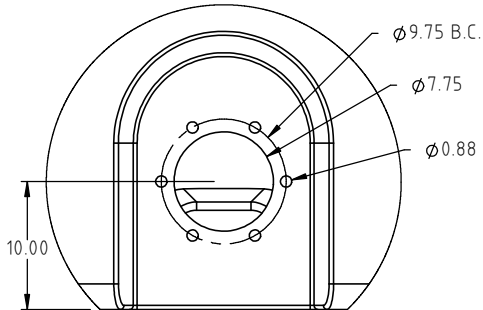
DW2000-102-2

A

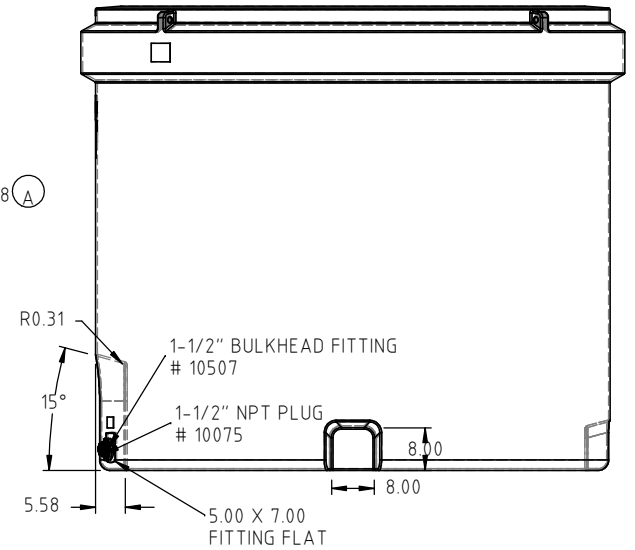
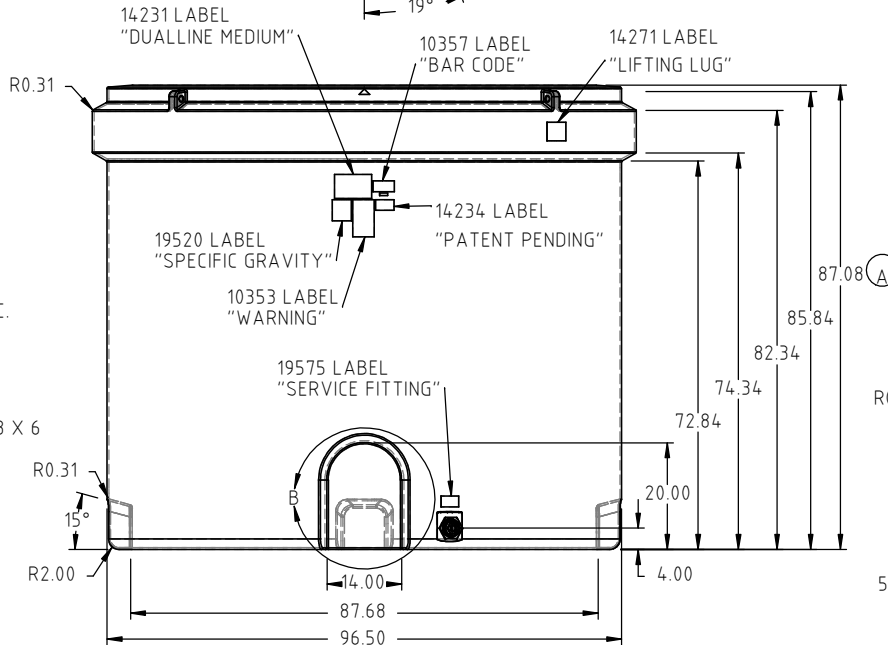


SECTION A-A  
SCALE 1:6

FITTING OPTIONAL



DETAIL B  
SCALE 1:15



				DRAWN / DATE ADH 2/18/14	MATERIAL 10420
A	87.00" WAS 92.50", 87.08" WAS 86.84"	ADH 4/18/16	3168	APPRD. / DATE REH 9/15/15	
REV	DESCRIPTION	BY / DATE	CCN		
ALL DIMENSIONS ARE IN DECIMAL INCHES TOLERANCES UNLESS OTHERWISE SPECIFIED		THIRD ANGLE PROJECTION ANSI 14.5M		SHOT WEIGHT: 503 LBS	NOTES: 1.) 0.35 NOM. WALL THICKNESS 2.) PATENT 9,162,816
POLYETHYLENE ±1% @ 68°F		METAL DECIMAL ± .125" FRACTION ± 1/4" ANGLE ± 1°		SHIPPING WEIGHT: 422 LBS.	
		FINISH:			



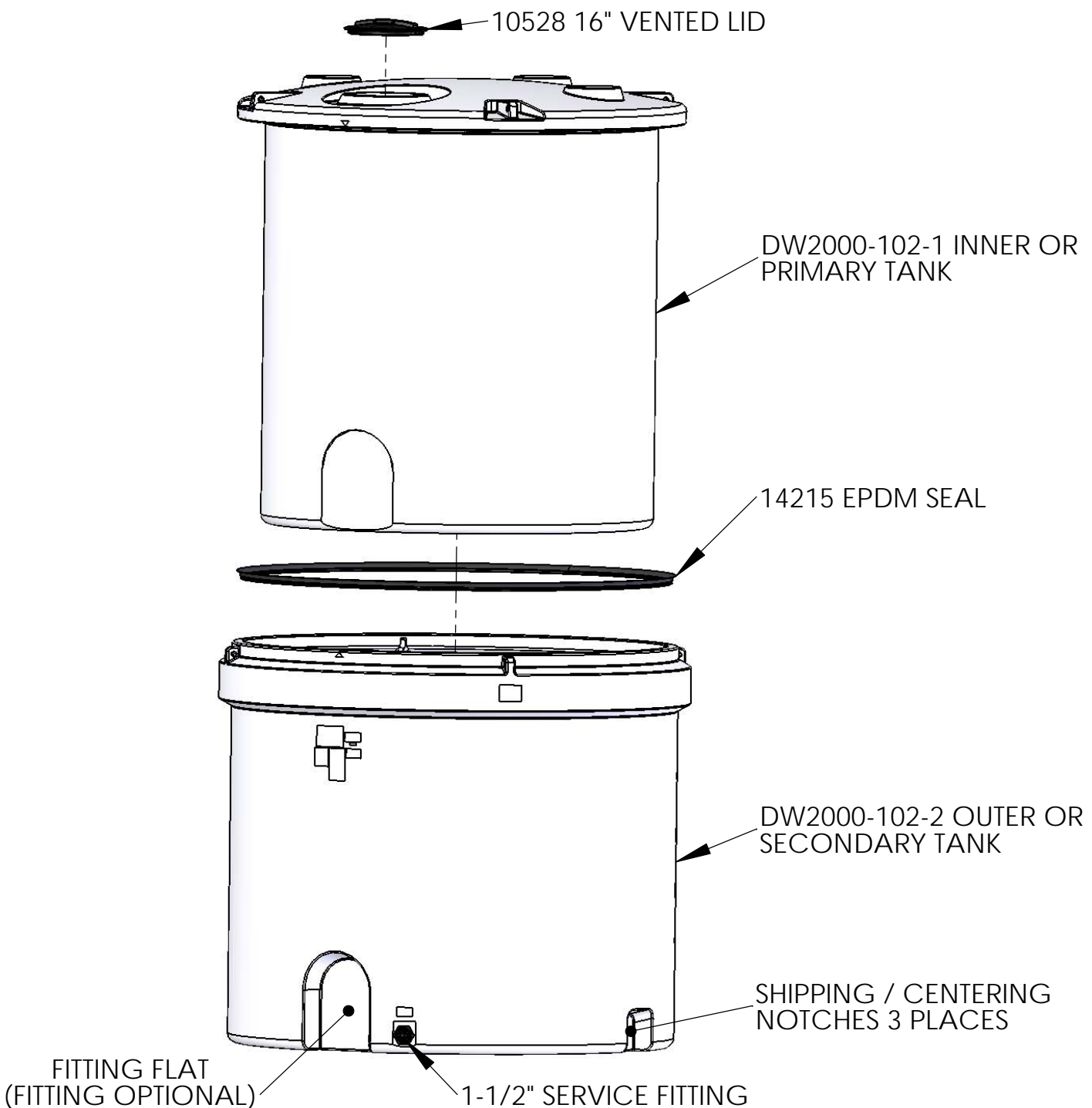
**Den Hartog**  
INDUSTRIES, INC.

Ace Roto-Mold Injection Molding Blow Molding Sowjoy

4010 HOSPERS DRIVE S. BOX 425, HOSPERS, IOWA 51238-0425

DESCRIPTION 2000 GALLON DUAL LINE™ TANK- OUTER TANK	
SCALE N.S.	PART NO. DW2000-102-2

DW2000-102 DOUBLE WALL TANK  
STANDARD COMPONENTS

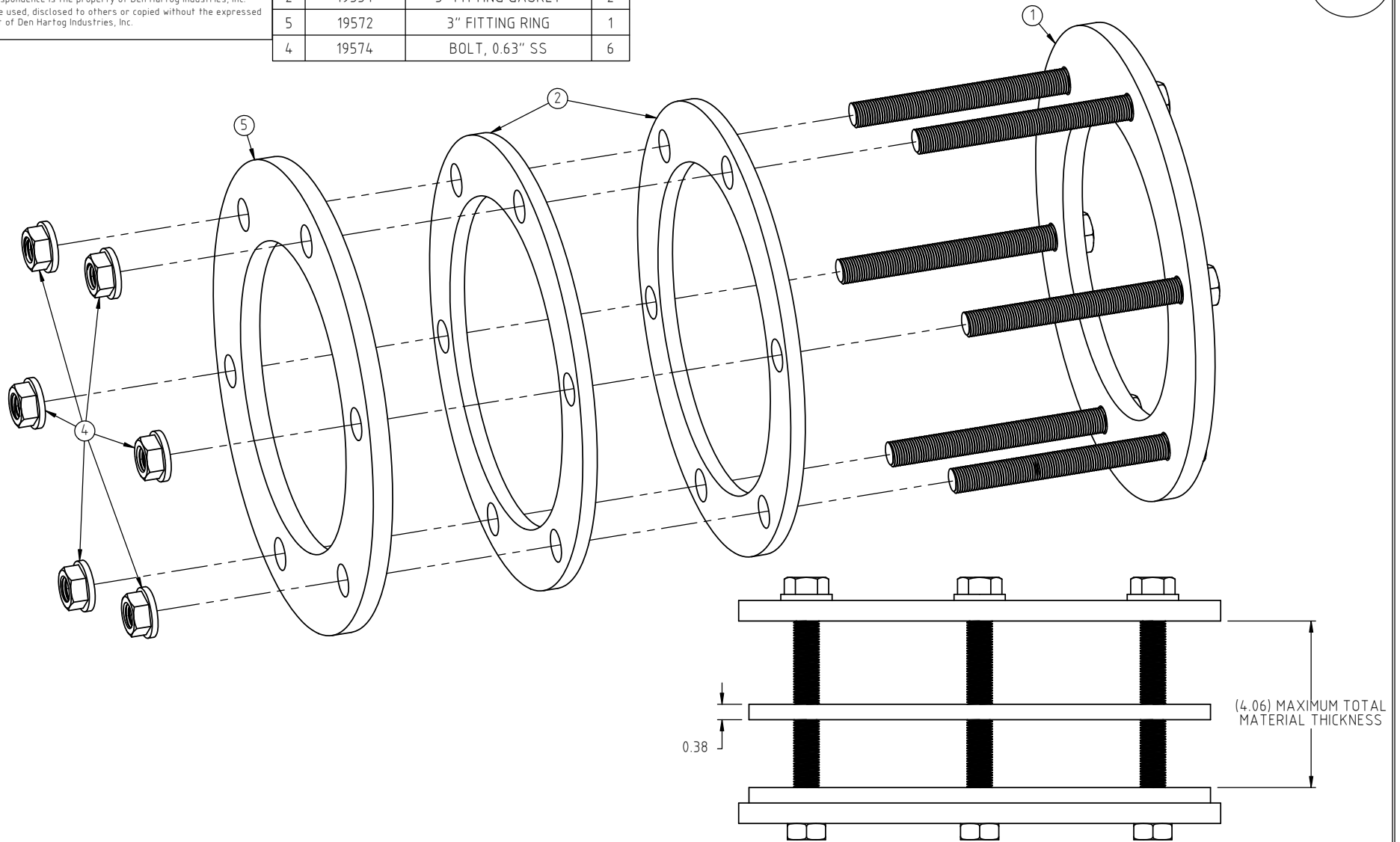
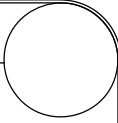


© DEN HARTOG INDUSTRIES, INC.

Copyright. All information furnished within this document, electronic file or design correspondence is the property of Den Hartog Industries, Inc. and shall not be used, disclosed to others or copied without the expressed written consent of Den Hartog Industries, Inc.

KEY	PART NUMBER	DESCRIPTION	QTY.
1	19570	3" FITTING RING WELDMENT	1
2	19554	3" FITTING GASKET	2
5	19572	3" FITTING RING	1
4	19574	BOLT, 0.63" SS	6

19569



				DRAWN / DATE ADH 9/26/14	MATERIAL SEE COMPONENTS
				APPRD. / DATE REH 11/14/14	
REV	DESCRIPTION	BY / DATE	CCN		
ALL DIMENSIONS ARE IN DECIMAL INCHES TOLERANCES UNLESS OTHERWISE SPECIFIED		THIRD ANGLE PROJECTION ANSI 14.5M		SHOT WEIGHT:	NOTES:
POLYETHYLENE		METAL DECIMAL ± .125" FRACTION ± 1/4" ANGLE ± 1°		SHIPPING WEIGHT: XXXX	
±1% @ 68°F				FINISH: NONE	



**Den Hartog**  
INDUSTRIES, INC.

Ace Roto-Mold Injection Molding Blow Molding Sowjoy

4010 HOSPERS DRIVE S. BOX 425, HOSPERS, IOWA 51238-0425

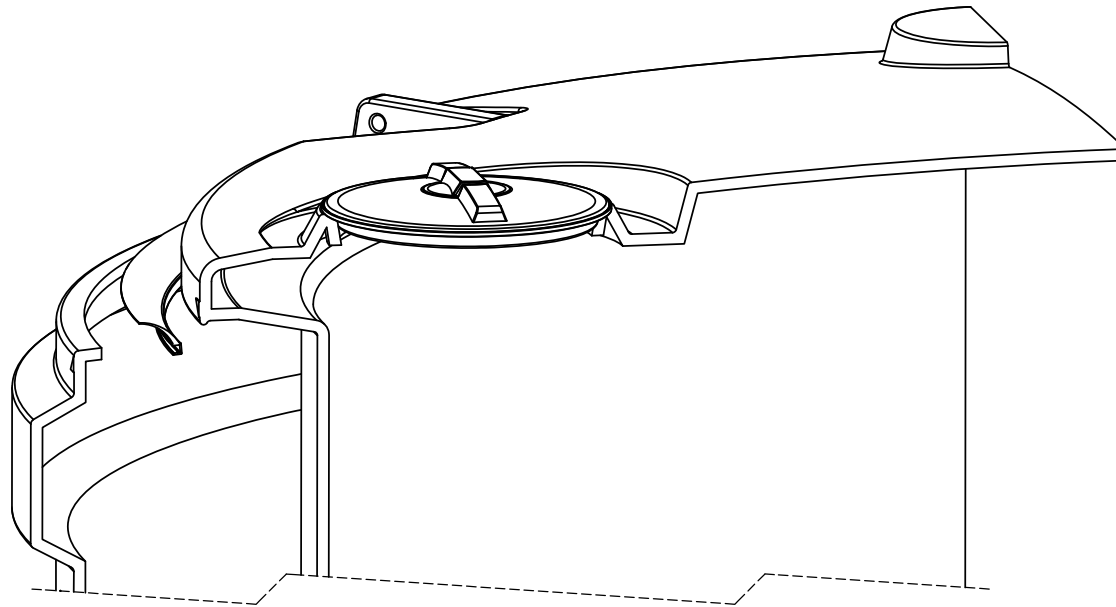
DESCRIPTION 3" DOUBLE WALL TANK FITTING RING ASSEMBLY

SCALE N.S.

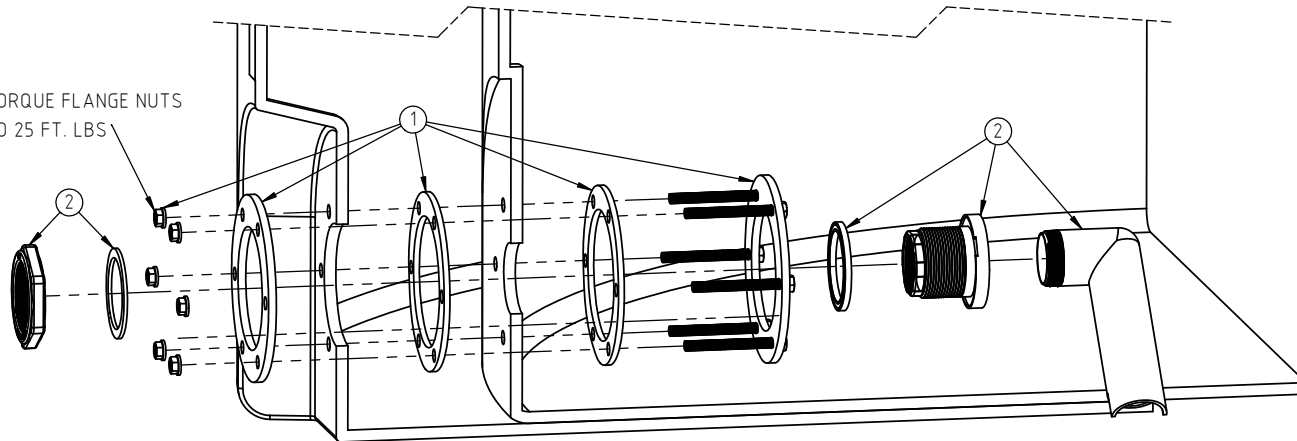
PART NO. 19569

Copyright. All information furnished within this document, electronic file or design correspondence is the property of Den Hartog Industries, Inc. and shall not be used, disclosed to others or copied without the expressed written consent of Den Hartog Industries, Inc.

KEY	PART NUMBER	DESCRIPTION	QTY.
1	19569	3" DOUBLE WALL RING ASSEMBLY	1
2	13811	BULKHEAD, 3" FITTING	1



TORQUE FLANGE NUTS TO 25 FT. LBS



				DRAWN / DATE ADH 10/16/13	MATERIAL
				APPRD. / DATE REH 9/22/15	
REV	DESCRIPTION	BY / DATE	CCN		
ALL DIMENSIONS ARE IN DECIMAL INCHES TOLERANCES UNLESS OTHERWISE SPECIFIED		THIRD ANGLE PROJECTION ANSI 14.5M		SHOT WEIGHT:	NOTES: 1.) PATENT PENDING
POLYETHYLENE		METAL DECIMAL ± .125" FRACTION ± 1/4" ANGLE ± 1°		SHIPPING WEIGHT:	
±1% @ 68°F				FINISH:	



**Den Hartog**  
INDUSTRIES, INC.

Ace Roto-Mold Injection Molding Blow Molding Sowjoy

4010 HOSPERS DRIVE S. BOX 425, HOSPERS, IOWA 51238-0425

DESCRIPTION 3" FITTING ASSEMBLY INSTALLATION	
SCALE N.S.	PART NO. 19569 -INSTALL