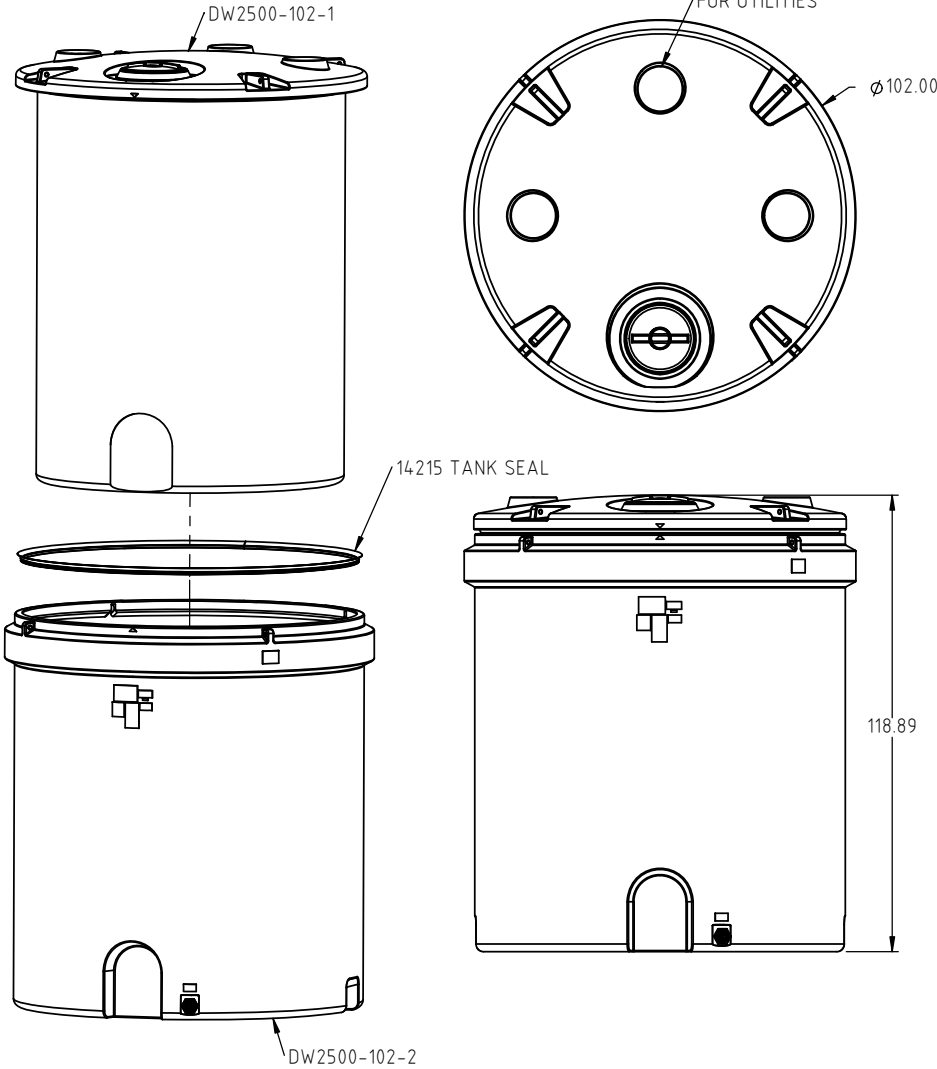


© DEN HARTOG INDUSTRIES, INC.

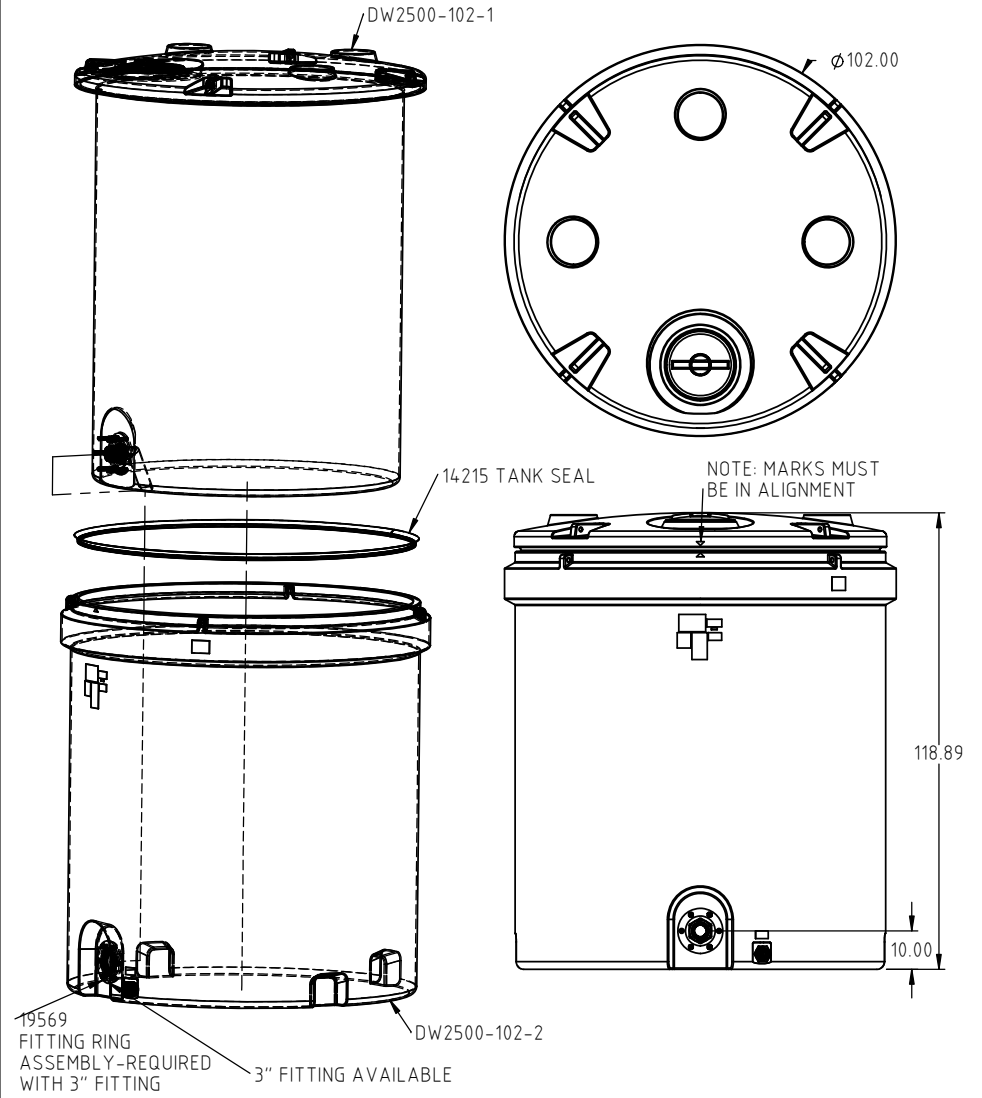
Copyright. All information furnished within this document, electronic file or design correspondence is the property of Den Hartog Industries, Inc. and shall not be used, disclosed to others or copied without the expressed written consent of Den Hartog Industries, Inc.

STANDARD TANK ASSEMBLY




TANK ASSEMBLY WITH OPTIONAL FITTING

DW2500-102



REV	DESCRIPTION	BY / DATE	CCN	DRAWN / DATE ADH 10/3/14	MATERIAL SEE NOTE 1
				APPRD. / DATE REH 9/22/15	
	ALL DIMENSIONS ARE IN DECIMAL INCHES TOLERANCES UNLESS OTHERWISE SPECIFIED	THIRD ANGLE PROJECTION ANSI 14.5M	SHOT WEIGHT:	NOTES: 1.) REFERENCE COMPONENT PRINTS FOR DETAILS 2.) PATENT 9,162,816	
	POLYETHYLENE ±1% @ 68°F		SHIPPING WEIGHT: STANDARD 1153 LBS.		
	METAL DECIMAL ± .125" FRACTION ± 1/4" ANGLE ± 1°		FINISH:		



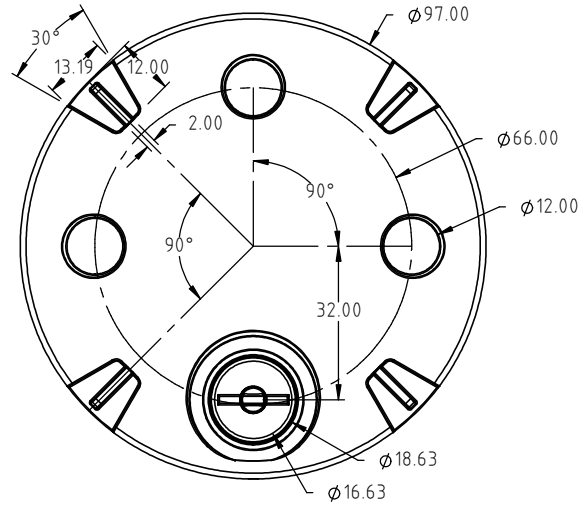
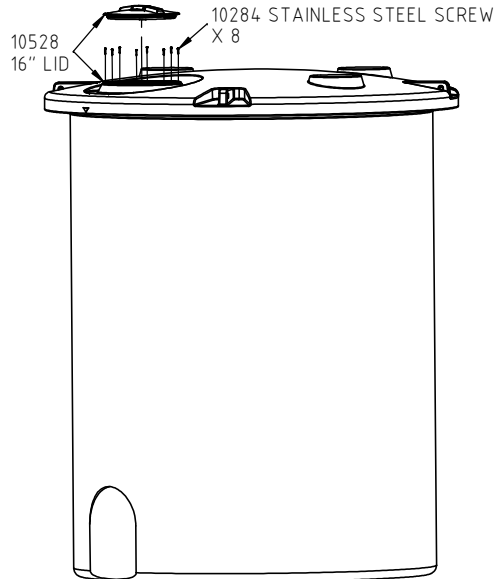
Den Hartog
INDUSTRIES, INC.

Ace Roto-Mold Injection Molding Blow Molding Sowjoy

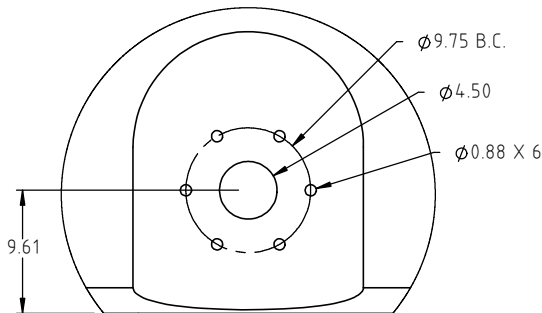
4010 HOSPERS DRIVE S. BOX 425, HOSPERS, IOWA 51238-0425

DESCRIPTION 2500 GALLON DUAL LINE™ TANK ASSEMBLY	
SCALE N.S.	PART NO. DW2500-102

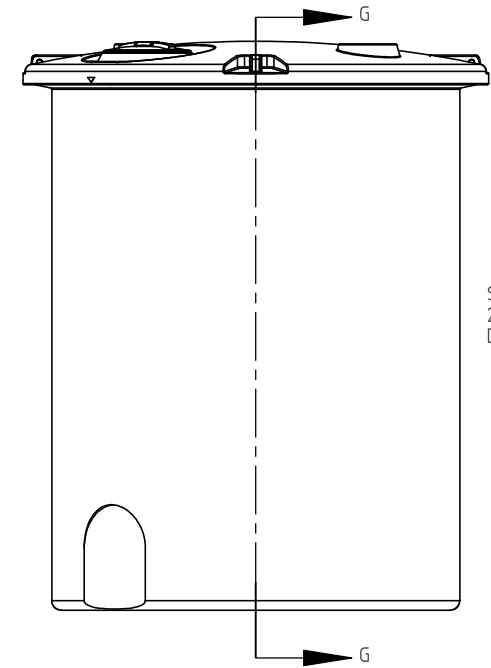
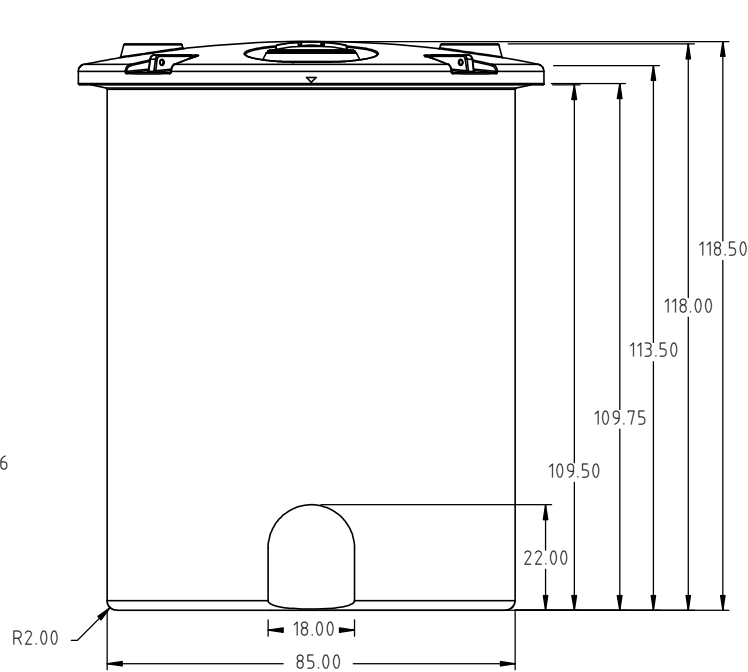
Copyright. All information furnished within this document, electronic file or design correspondence is the property of Den Hartog Industries, Inc. and shall not be used, disclosed to others or copied without the expressed written consent of Den Hartog Industries, Inc.



FITTING OPTIONAL



DETAIL A
SCALE 1:15



SEE SHEET
2 OF 2 FOR
DETAILS

REV	DESCRIPTION	BY / DATE	CCN	DRAWN / DATE ADH 10/16/12	MATERIAL 10420
				APPRO. / DATE REH 9/21/15	
				SHOT WEIGHT: 582 LB.	NOTES: 1.) 0.38 NOM. WALL THICKNESS 2.) PATENT 9,162,816
				SHIPPING WEIGHT: 584 LB.	
ALL DIMENSIONS ARE IN DECIMAL INCHES TOLERANCES UNLESS OTHERWISE SPECIFIED		THIRD ANGLE PROJECTION ANSI 14.5M		FINISH:	
POLYETHYLENE ±1% @ 68°F		METAL DECIMAL ± .125" FRACTION ± 1/4" ANGLE ± 1°			



Den Hartog
INDUSTRIES, INC.

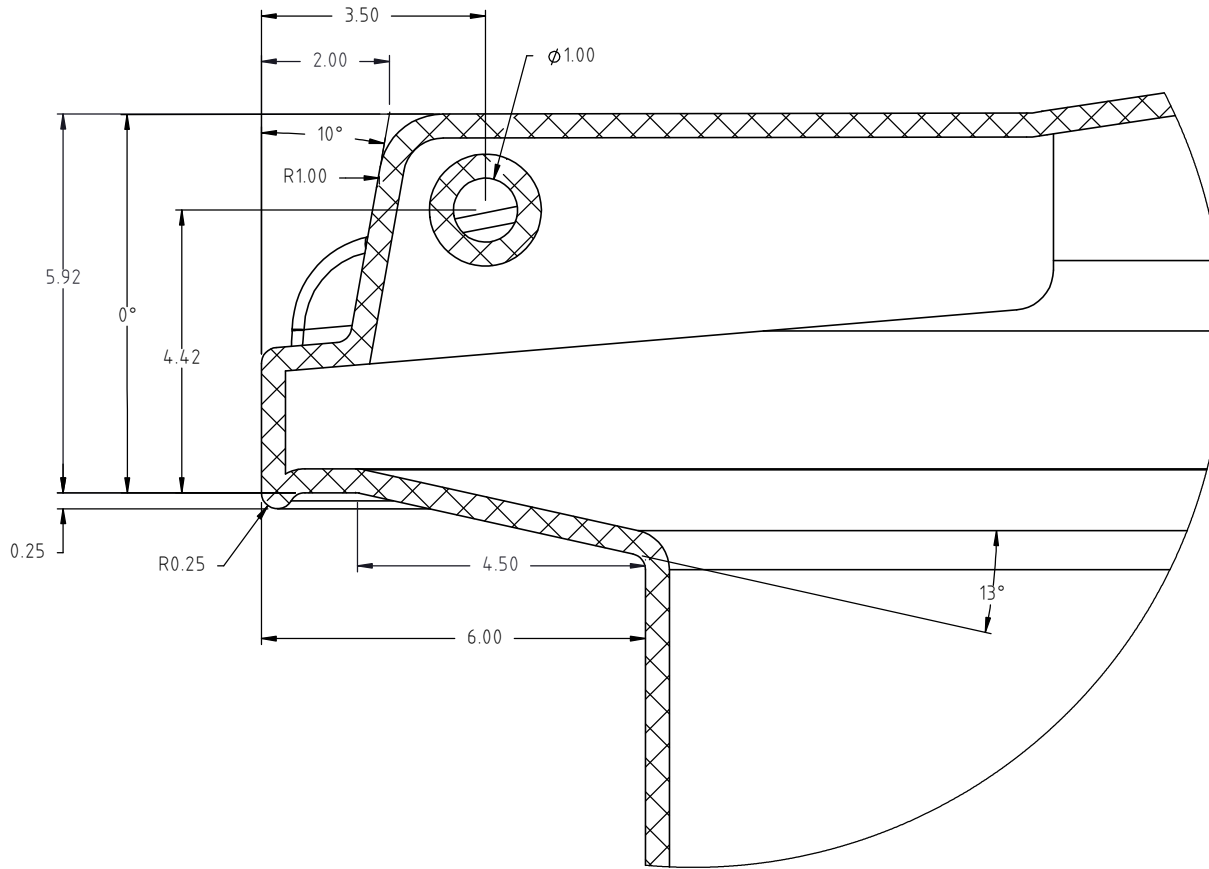
Ace Roto-Mold Injection Molding Blow Molding Sowjoy

4010 HOSPERS DRIVE S. BOX 425, HOSPERS, IOWA 51238-0425

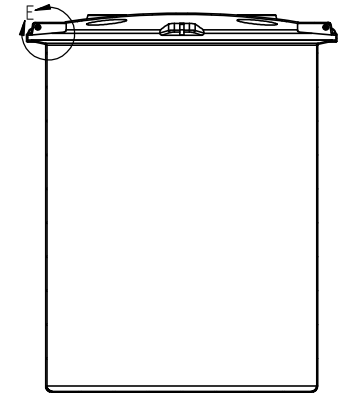
DESCRIPTION 2500 GALLON DUAL LINE™ TANK-INNER TANK-1 OF 2	
SCALE N.S.	PART NO. DW2500-102-1

© DEN HARTOG INDUSTRIES, INC.

Copyright. All information furnished within this document, electronic file or design correspondence is the property of Den Hartog industries, Inc. and shall not be used, disclosed to others or copied without the expressed written consent of Den Hartog Industries, Inc.



DETAIL E
SCALE 1 : 3



SECTION D-D
SCALE 1 : 60

				DRAWN / DATE ADH 10/16/12	MATERIAL
				APPROD. / DATE REH 9/21/15	
REV	DESCRIPTION	BY / DATE	CCN		
ALL DIMENSIONS ARE IN DECIMAL INCHES TOLERANCES UNLESS OTHERWISE SPECIFIED		THIRD ANGLE PROJECTION ANSI 14.5M		SHOT WEIGHT:	NOTES:
POLYETHYLENE		METAL DECIMAL ± .125" FRACTION ± 1/4" ANGLE ± 1°		SHIPPING WEIGHT:	
±1% @ 68°F				FINISH:	



Den Hartog
INDUSTRIES, INC.

Ace Roto-Mold Injection Molding Blow Molding Sowjoy

4010 HOSPERS DRIVE S. BOX 425, HOSPERS, IOWA 51238-0425

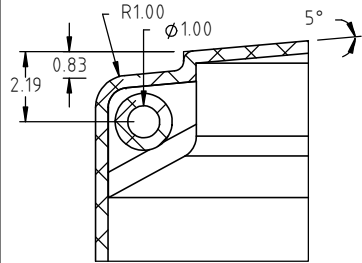
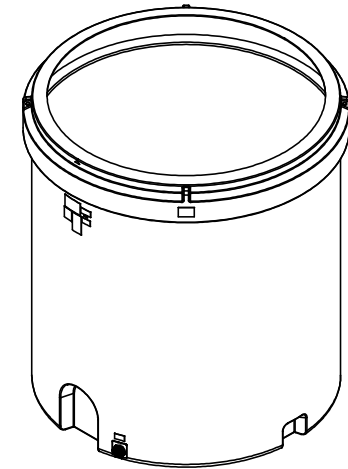
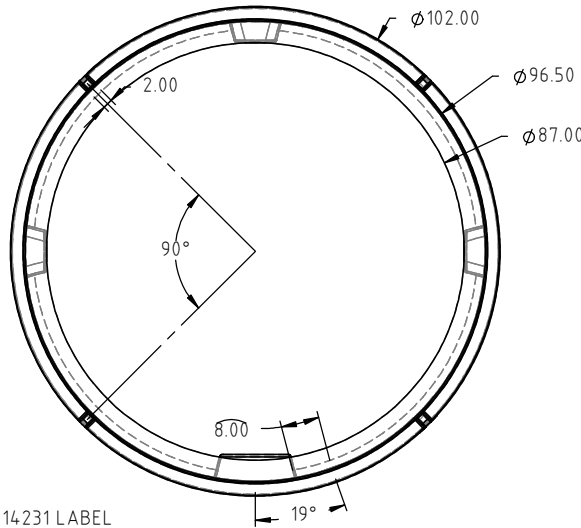
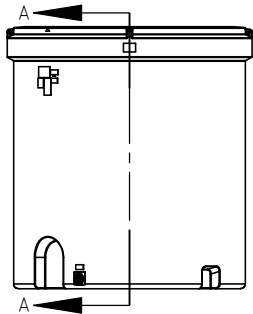
DESCRIPTION 2500 GALLON DUAL LINE™ TANK-INNER TANK- 2 OF 2	
SCALE N.S.	PART NO.

© DEN HARTOG INDUSTRIES, INC.

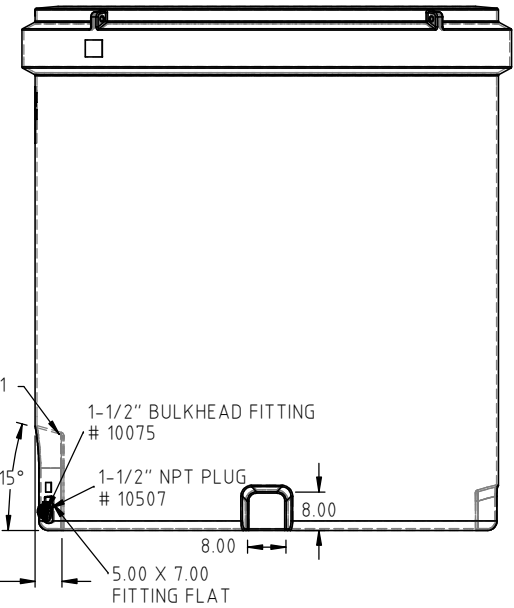
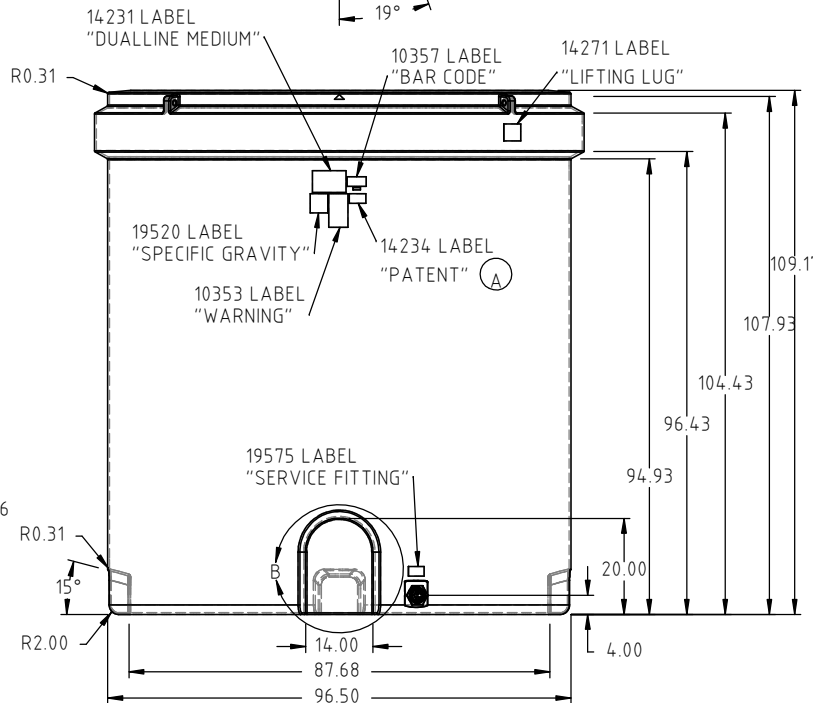
Copyright. All information furnished within this document, electronic file or design correspondence is the property of Den Hartog industries, Inc. and shall not be used, disclosed to others or copied without the expressed written consent of Den Hartog Industries, Inc.

DW2500-102-2

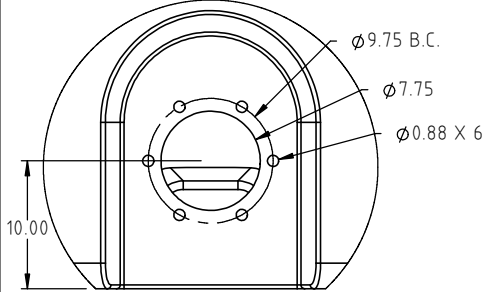
A



SECTION A-A
SCALE 1: 6



FITTING OPTIONAL



DETAIL B
SCALE 1:15

				DRAWN / DATE ADH 2/18/14	MATERIAL 10420
A	"PATENT" WAS "PATENT PENDING"	ADH 4/21/16	3242	APPRO. / DATE REH 9/21/15	
REV	DESCRIPTION	BY / DATE	CCN		
ALL DIMENSIONS ARE IN DECIMAL INCHES TOLERANCES UNLESS OTHERWISE SPECIFIED		THIRD ANGLE PROJECTION ANSI 14.5M		SHOT WEIGHT: 649 LB.	NOTES: 1.) 0.39 NOM. WALL THICKNESS 2.) PATENT 9,162,816
POLYETHYLENE		METAL DECIMAL ± .125" FRACTION ± 1/4" ANGLE ± 1°		SHIPPING WEIGHT: 559 LB.	
±1% @ 68°F				FINISH:	



Den Hartog
INDUSTRIES, INC.

Ace Roto-Mold Injection Molding Blow Molding Sowjoy

4010 HOSPERS DRIVE S. BOX 425, HOSPERS, IOWA 51238-0425

DESCRIPTION	2500 GALLON DUAL LINE™ TANK- OUTER TANK	
SCALE	N.S.	PART NO. DW2500-102-2

DW2500-102 DOUBLE WALL TANK STANDARD COMPONENTS

