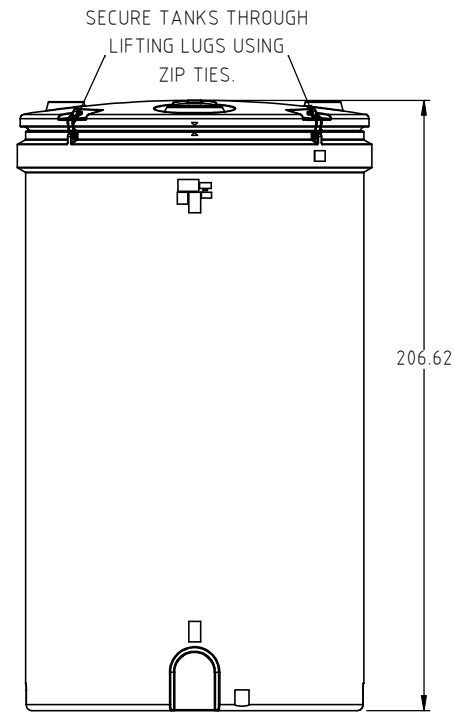
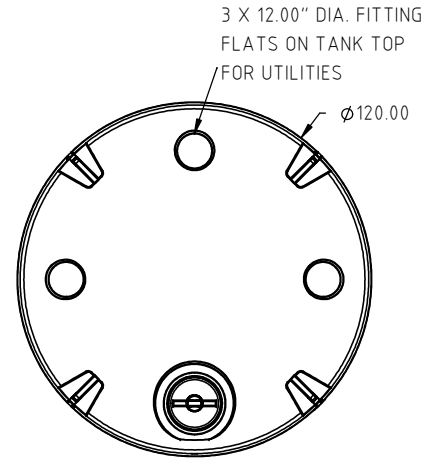
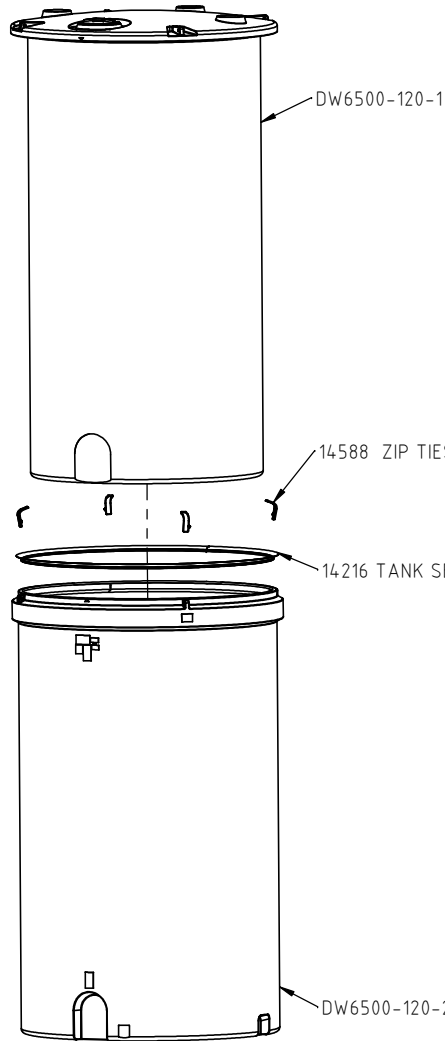


Copyright. All information furnished within this document, electronic file or design correspondence is the property of Den Hartog industries, Inc. and shall not be used, disclosed to others or copied without the expressed written consent of Den Hartog Industries, Inc.

**IMPORTANT!**  
NEVER FILL ABOVE THE ADVERTISED CAPACITY OF TANK  
FAILURE TO HEED MAY EXCEED THE RATED CAPACITY  
OF THE OUTER CONTAINMENT TANK.



				DRAWN / DATE ADH 1/26/15	MATERIAL SEE NOTE 1
				APPRO. / DATE REH 3/3/16	
REV	DESCRIPTION	BY / DATE	CCN		
ALL DIMENSIONS ARE IN DECIMAL INCHES TOLERANCES UNLESS OTHERWISE SPECIFIED		THIRD ANGLE PROJECTION ANSI 14.5M		SHOT WEIGHT:	NOTES: 1.) REFERENCE COMPONENT PRINTS FOR DETAILS 2.) PATENT 9,162,816
POLYETHYLENE ±1% @ 68°F				SHIPPING WEIGHT: STANDARD 3152.00 LBS. FINISH:	



# Den Hartog

INDUSTRIES, INC.

Acra Roto-Mold Injection Molding Blow Molding Sowjoy

4010 HOSPERS DRIVE S. BOX 425, HOSPERS, IOWA 51238-0425

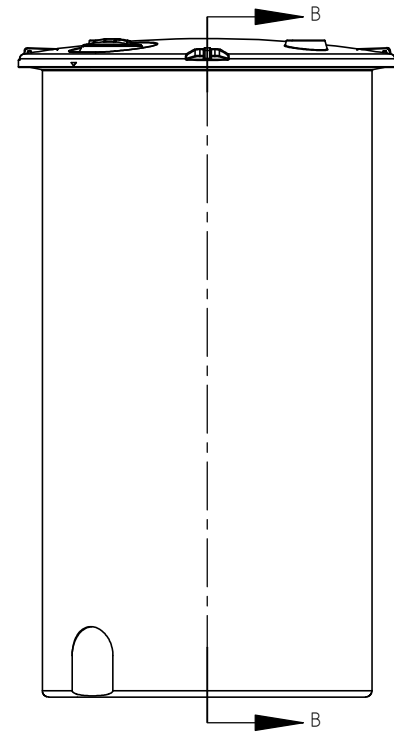
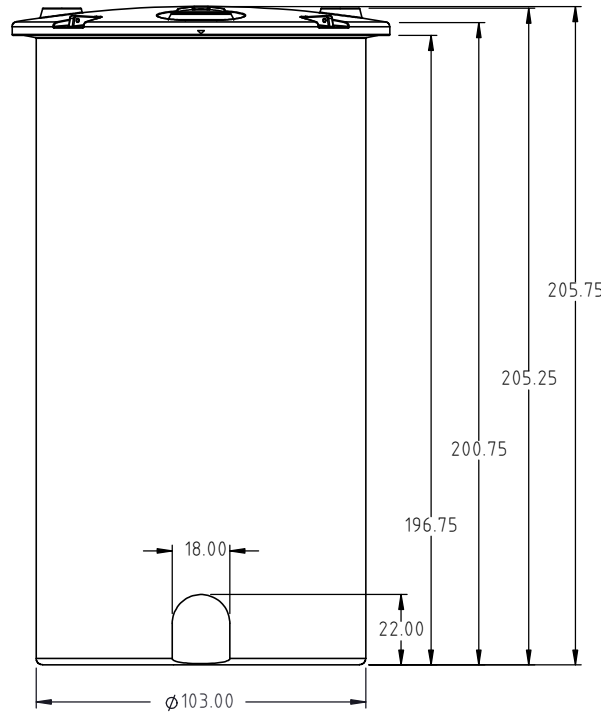
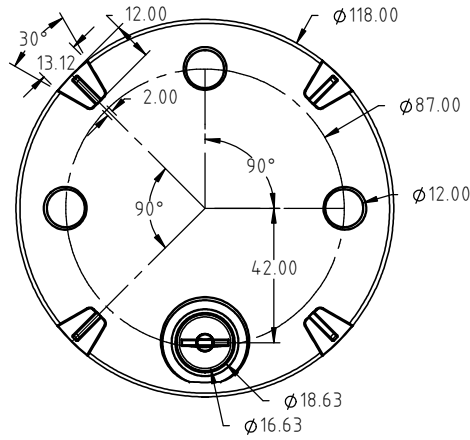
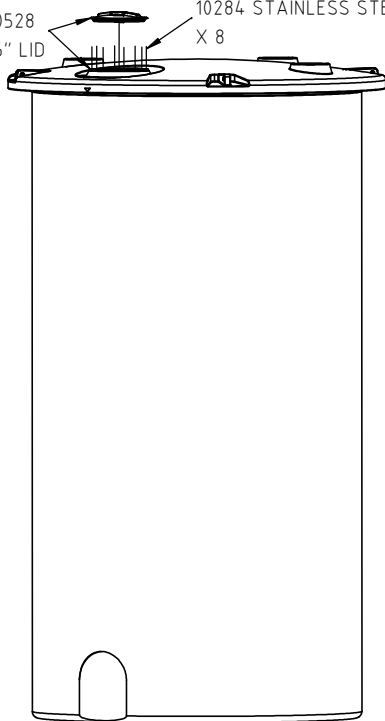
DESCRIPTION 6500 GALLON DUAL LINE™ TANK ASSEMBLY	
SCALE N.S.	PART NO. DW6500-120

© DEN HARTOG INDUSTRIES, INC.

Copyright. All information furnished within this document, electronic file or design correspondence is the property of Den Hartog industries, Inc. and shall not be used, disclosed to others or copied without the expressed written consent of Den Hartog Industries, Inc.

DW6500-120-1

10528  
16" LID  
10284 STAINLESS STEEL SCREW  
X 8



SEE SHEET  
2 OF 2 FOR  
DETAILS

				DRAWN / DATE ADH 1/27/15	MATERIAL 10538
				APPRO. / DATE REH 3/3/17	
REV	DESCRIPTION	BY / DATE	CCN		
ALL DIMENSIONS ARE IN DECIMAL INCHES TOLERANCES UNLESS OTHERWISE SPECIFIED		THIRD ANGLE PROJECTION ANSI 14.5M		SHOT WEIGHT: 1650.00 LBS.	NOTES: 1.) 1.04 WALL @ FLAT 2.) PATENT 9,162,816
POLYETHYLENE ±1% @ 68°F		METAL DECIMAL ± .125" FRACTION ± 1/4" ANGLE ± 1°		SHIPPING WEIGHT: 1652.00 LBS.	
		FINISH:			



**Den Hartog**  
INDUSTRIES, INC.

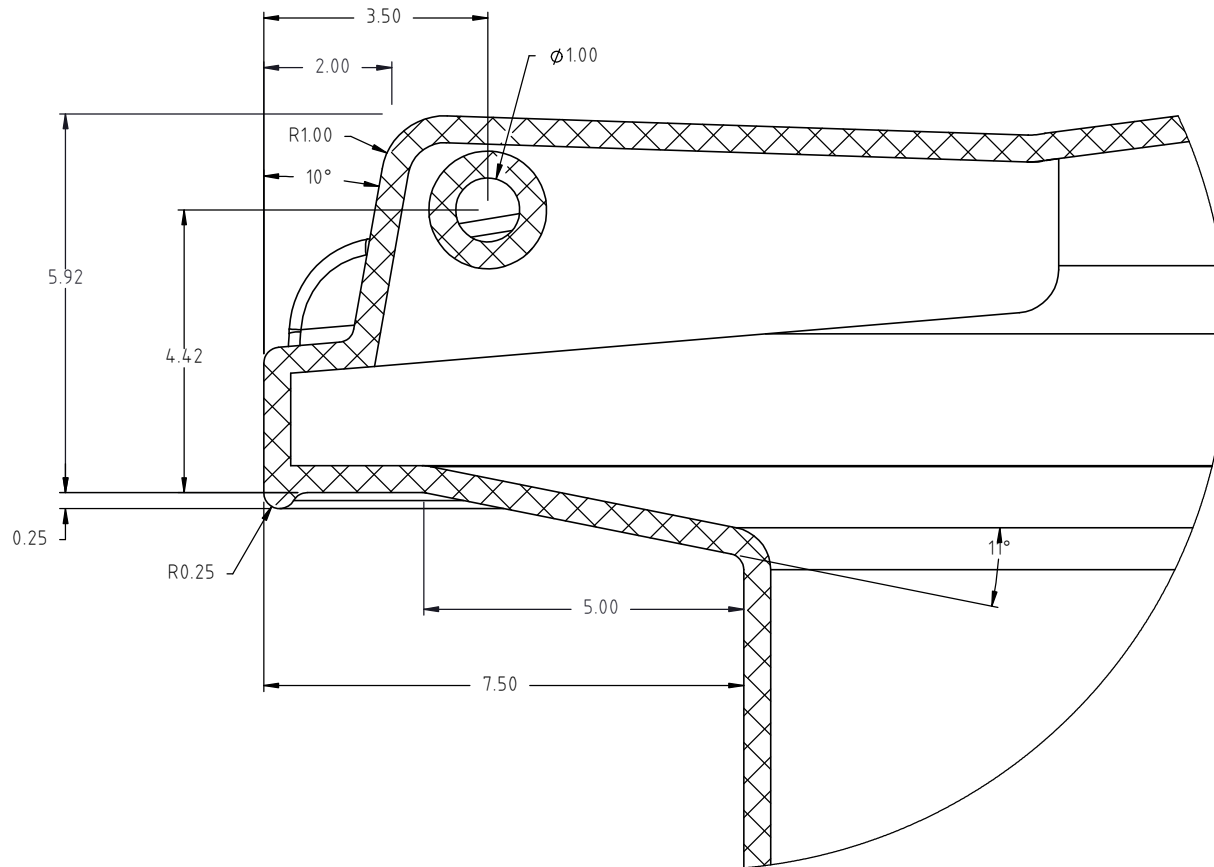
Ace Roto-Mold Injection Molding Blow Molding Sowjoy

4010 HOSPERS DRIVE S. BOX 425, HOSPERS, IOWA 51238-0425

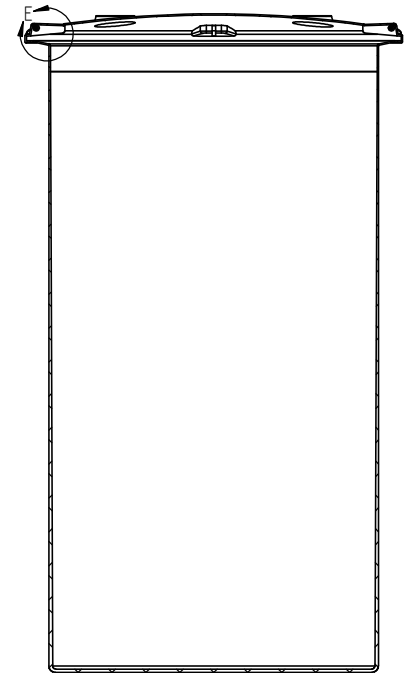
DESCRIPTION 6500 GALLON DOUBLE WALL TANK-INNER TANK-1 OF 2	
SCALE N.S.	PART NO. DW6500-120-1

© DEN HARTOG INDUSTRIES, INC.

Copyright. All information furnished within this document, electronic file or design correspondence is the property of Den Hartog Industries, Inc. and shall not be used, disclosed to others or copied without the expressed written consent of Den Hartog Industries, Inc.



DETAIL E  
SCALE 1 : 3



SECTION D-D  
SCALE 1 : 60

				DRAWN / DATE ADH 1/27/15	MATERIAL
				APPROD. / DATE REH 3/3/17	
REV	DESCRIPTION	BY / DATE	CCN		
ALL DIMENSIONS ARE IN DECIMAL INCHES TOLERANCES UNLESS OTHERWISE SPECIFIED		THIRD ANGLE PROJECTION ANSI 14.5M		SHOT WEIGHT:	NOTES:
POLYETHYLENE		METAL DECIMAL ± .125" FRACTION ± 1/4" ANGLE ± 1°		SHIPPING WEIGHT:	
±1% @ 68°F				FINISH:	



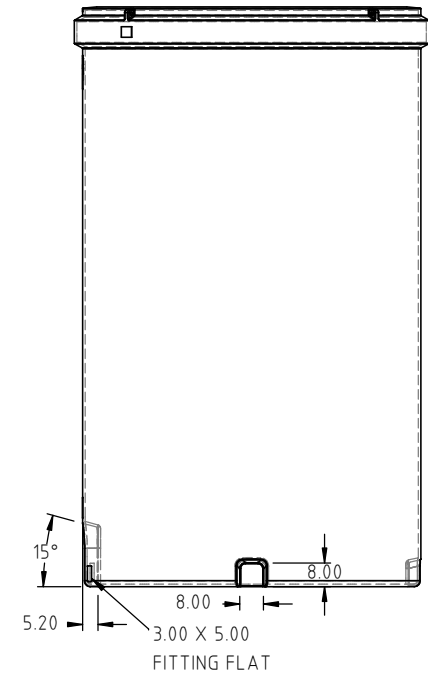
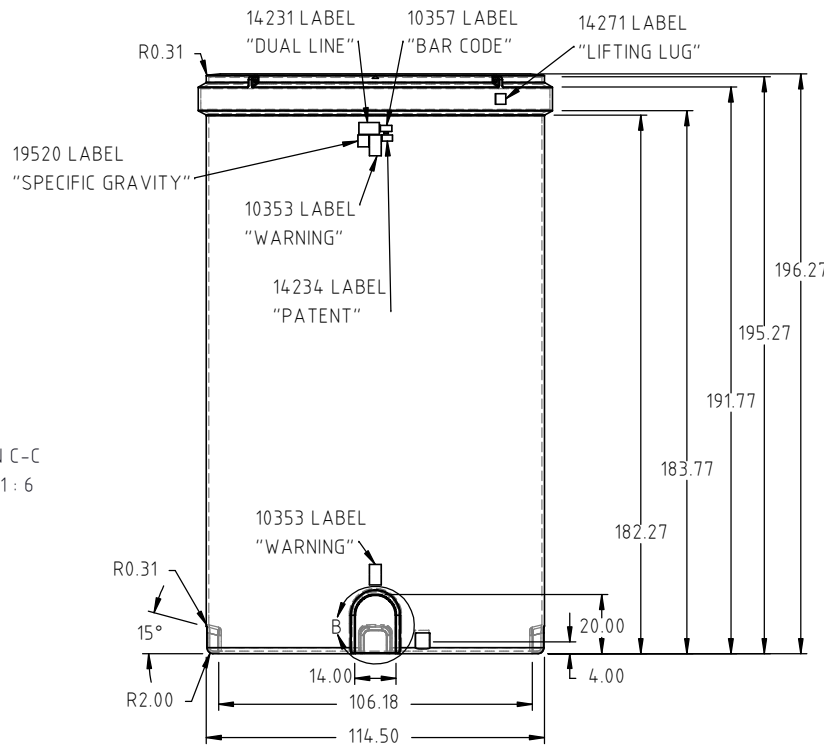
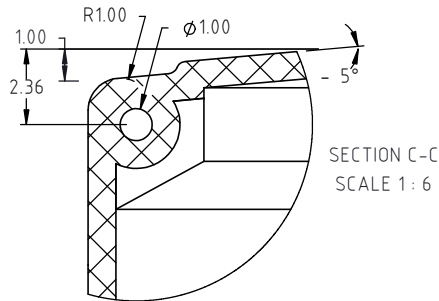
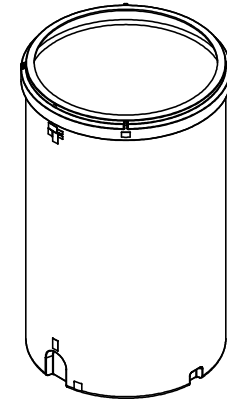
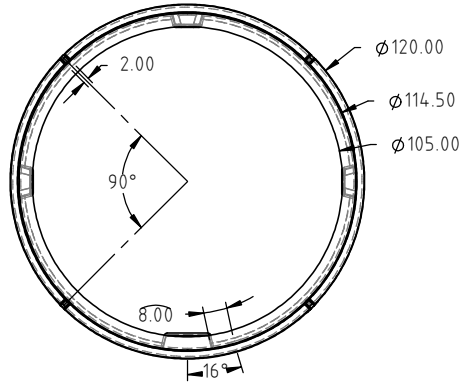
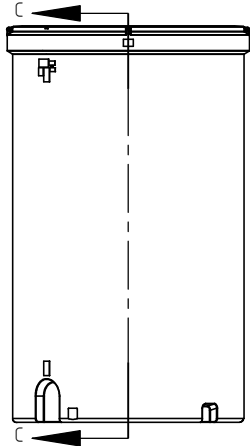
**Den Hartog**  
INDUSTRIES, INC.

Ace Roto-Mold Injection Molding Blow Molding Sowjoy

4010 HOSPERS DRIVE S. BOX 425, HOSPERS, IOWA 51238-0425

DESCRIPTION 6500 GALLON DOUBLE WALL TANK-INNER TANK- 2 OF 2	
SCALE N.S.	PART NO.

Copyright. All information furnished within this document, electronic file or design correspondence is the property of Den Hartog industries, Inc. and shall not be used, disclosed to others or copied without the expressed written consent of Den Hartog Industries, Inc.



REV	DESCRIPTION	BY / DATE	CCN	DRAWN / DATE ADH 1/27/15	MATERIAL 10538
				APPRO. / DATE REH 3/3/17	
				SHOT WEIGHT: 1650.00 LBS.	NOTES: 1.) 0.87 WALL @ FLAT 2.) PATENT 9,162,816
				SHIPPING WEIGHT: 1500.00 LBS.	
ALL DIMENSIONS ARE IN DECIMAL INCHES TOLERANCES UNLESS OTHERWISE SPECIFIED POLYETHYLENE ±1% @ 68°F				THIRD ANGLE PROJECTION ANS1 14.5M 	
METAL DECIMAL ± .125" FRACTION ± 1/4" ANGLE ± 1°					



**Den Hartog**  
INDUSTRIES, INC.

Acra Roto-Mold Injection Molding Blow Molding Sowjoy

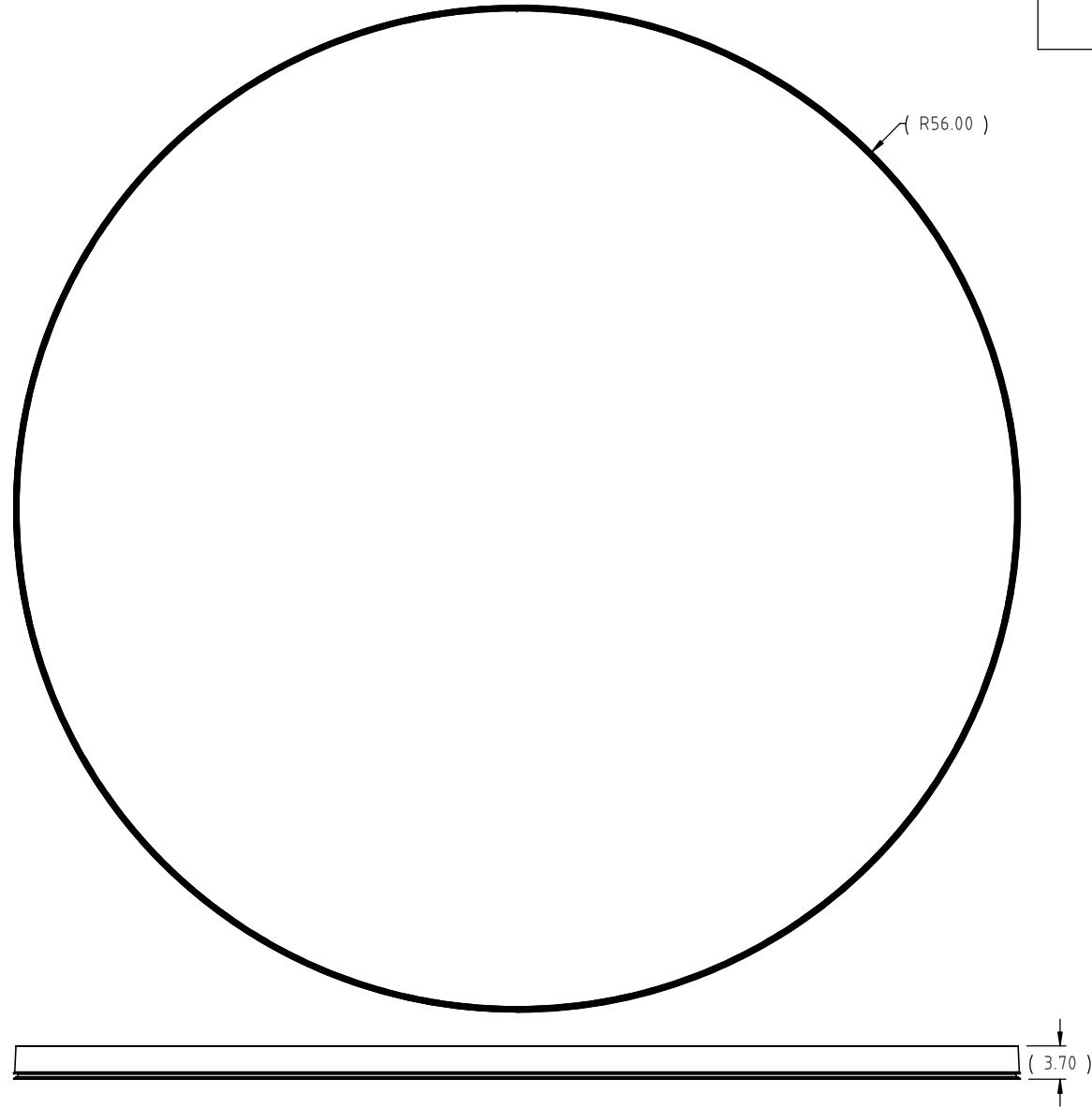
4010 HOSPERS DRIVE S. BOX 425, HOSPERS, IOWA 51238-0425

DESCRIPTION	6500 GALLON DOUBLE WALL TANK- OUTER TANK	
SCALE	N.S.	PART NO. DW6500-120-2


© DEN HARTOG INDUSTRIES, INC.

Copyright. All information furnished within this document, electronic file or design correspondence is the property of Den Hartog industries, Inc. and shall not be used, disclosed to others or copied without the expressed written consent of Den Hartog Industries, Inc.

14216



				DRAWN / DATE ADH 3/30/16	MATERIAL
				APPROD. / DATE REH 3/3/17	EPDM
REV	DESCRIPTION	BY / DATE	CCN	SHOT WEIGHT:	NOTES:
				SHIPPING WEIGHT:	1.) PURCHASED
				FINISH:	2.) 348.69 IN LENGTH
					3.) PATENT 9,162,816



## Den Hartog

INDUSTRIES, INC.

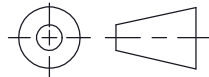
**Ace Roto-Mold Injection Molding Blow Molding Sowjoy**

4010 HOSPERS DRIVE S. BOX 425, HOSPERS, IOWA 51238-0425

DESCRIPTION		120 INCH DIAMETER DUAL LINE™ TANK- GASKET	
SCALE	N.S.	PART NO.	14216

ALL DIMENSIONS ARE IN DECIMAL INCHES  
TOLERANCES UNLESS OTHERWISE SPECIFIED

THIRD ANGLE PROJECTION  
ANSI 14.5M



POLYETHYLENE  
±1% @ 68°F

METAL  
DECIMAL ± .125"  
FRACTION ± 1/4"  
ANGLE ± 1°