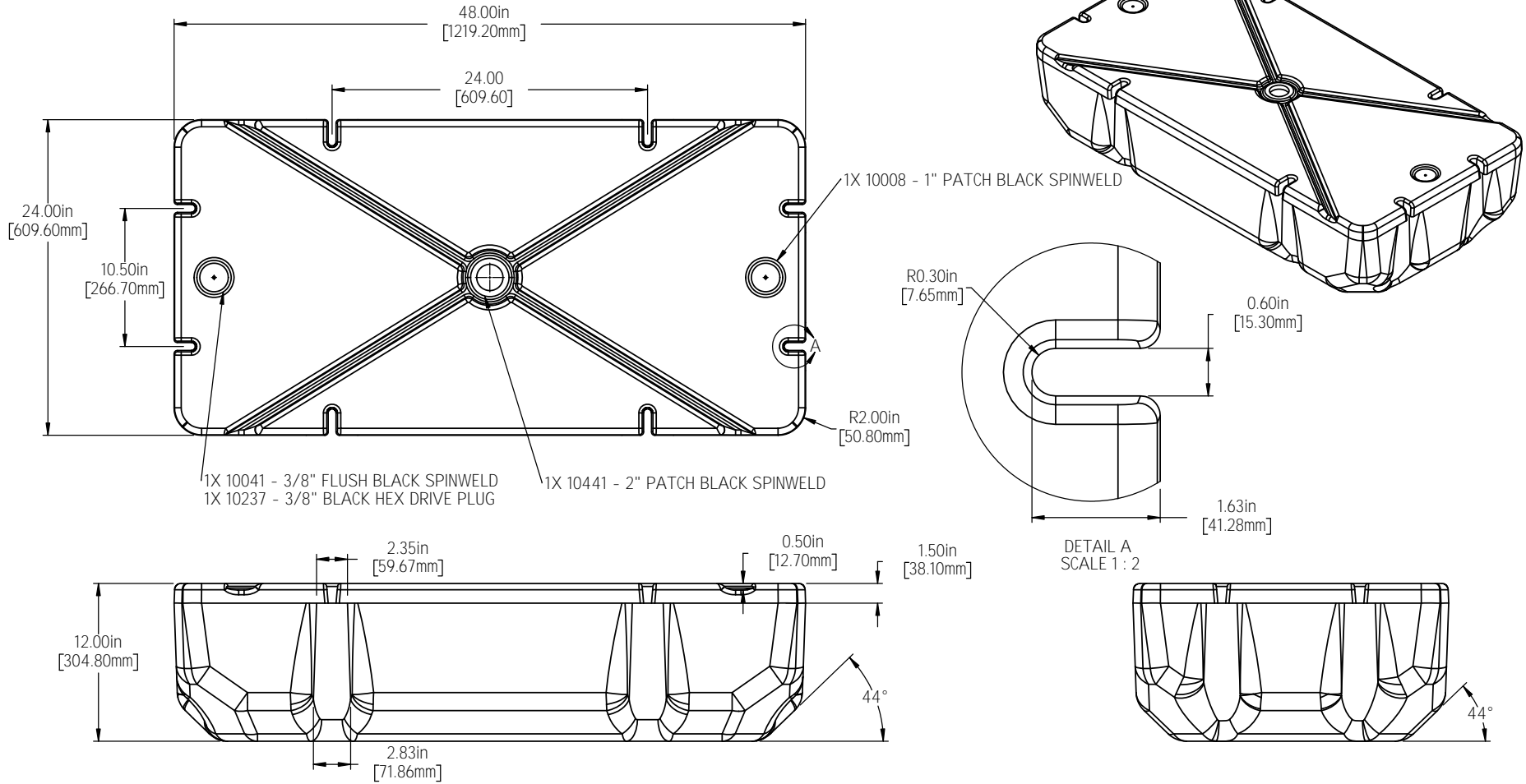


Copyright. All information furnished within this document, electronic file or design correspondence is the property of Den Hartog Industries, Inc. and shall not be used, disclosed to others or copied without the expressed written consent of Den Hartog Industries, Inc.



C	32 LBS WAS 30 LBS, 413 LBS WAS 409 LBS	ADH 6/20/12	2420
B	METRIC DIMENSIONS ADDED	ADH 7/8/08	1685
A	ADD BUOYANCY NOTE	GWC 1/12/07	
A	ADD FOAM FILLED WEIGHT	GWC 1/12/07	
REV	DESCRIPTION	BY / DATE	CCN
ALL DIMENSIONS ARE IN DECIMAL INCHES TOLERANCES UNLESS OTHERWISE SPECIFIED		THIRD ANGLE PROJECTION ANSI 14.5M	
POLYETHYLENE ±1% @ 68°F		METAL DECIMAL ± .125" FRACTION ± 1/4" ANGLE ± 1°	
SHOT WEIGHT: 22 LBS.(9.98 KG.)		NOTES: 1.) NOM. WALL @ .150in(3.81mm) 2.) BLACK COLOR	
SHIPPING WEIGHT: A C FF 32 LBS.(16.61 KG.)		FINISH:	

(A) (C) NOTE: BUOYANCY IS 413 LBS.(185.52 KG.)



Den Hartog
INDUSTRIES, INC.

Ace Roto-Mold Injection Molding Blow Molding Sowjoy

4010 HOSPERS DRIVE S. BOX 425, HOSPERS, IOWA 51238-0425

DESCRIPTION	12 INCH HIGH FLOAT FOAM FILLED	
SCALE	N.S.	PART NO. FFBM2448-12