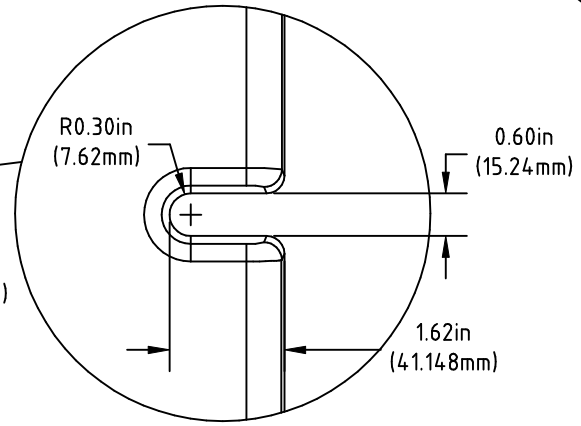
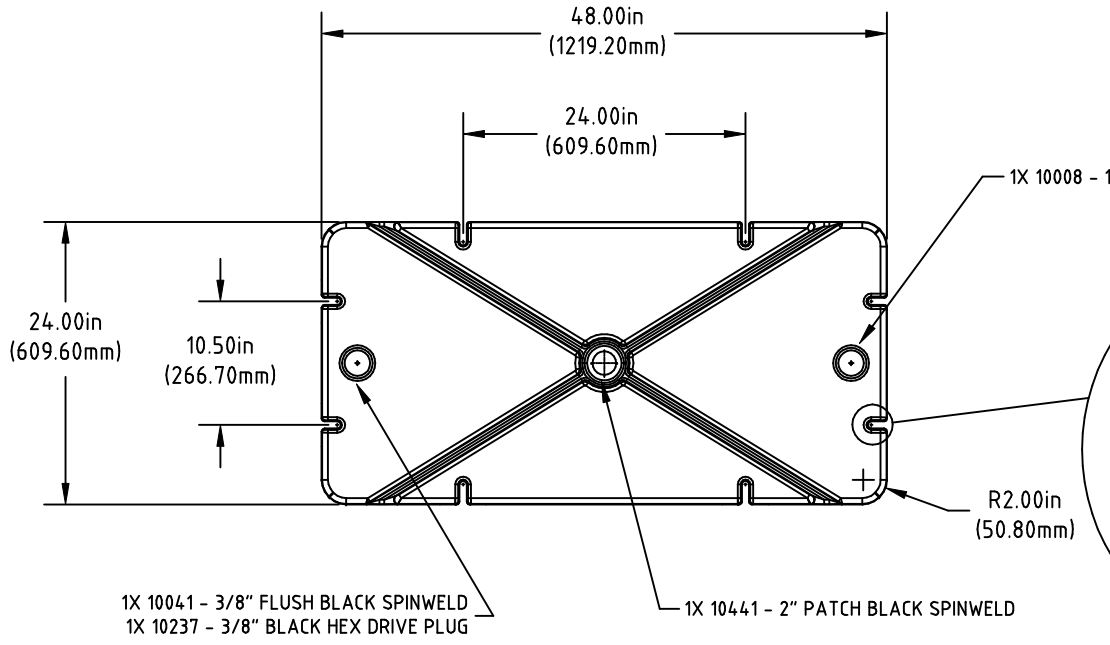


PROPRIETARY DATA

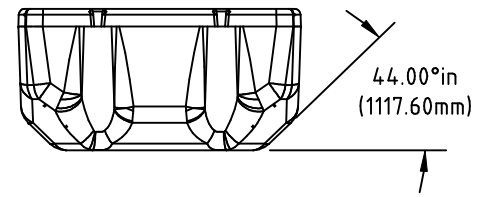
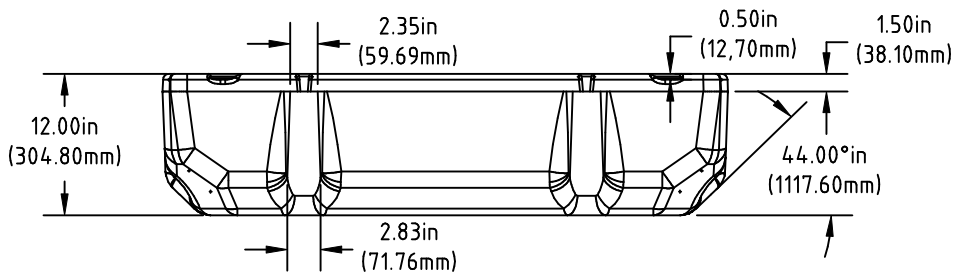
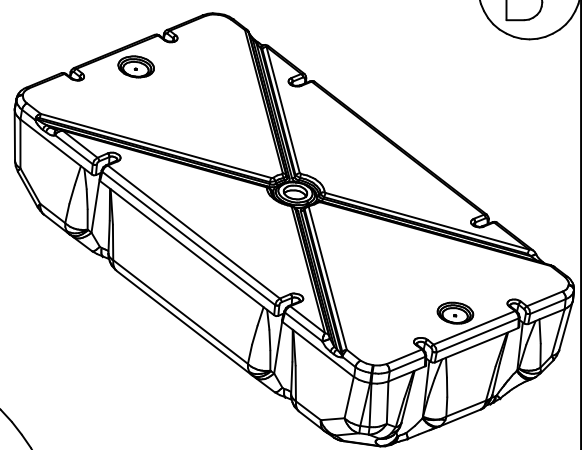
PROPERTY OF ACE ROTO-MOLD MFG., INC. INFORMATION FURNISHED HEREIN IS THE PROPERTY OF ACE ROTO-MOLD MFG., INC. AND SHALL NOT BE USED, DISCLOSED TO OTHERS, OR COPIED WITHOUT THE EXPRESSED WRITTEN CONSENT OF ACE ROTO-MOLD MFG., INC. ALL RIGHTS RESERVED.

FFBM-2448-12

B



SCALE: 6:1



NOTE: BUOYANCY IS 409 LBS.(185.52 KG.)

B	METRIC DIMENSIONS ADDED CCN 1685	7-8-08	ADH	DRAWN / DATE	MATERIAL	ACE ROTO-MOLD A DIVISION OF DEN HARTOG INDUSTRIES, INC. 4018 HWY. 60 BLVD., BOX 421, HOSPERS, IOWA 51238
A	ADD BUOYANCY NOTE	1-12-07	GWC	NVE 7/19/05		
A	ADD FOAM FILLED WEIGHT	1-12-07	GWC	APPRD. / DATE	NOTES: <sup>Ⓐ</sup>	CLIENT / DESCRIPTION 12 INCH HIGH FLOAT FOAM FILLED
REV	DESCRIPTION	DATE	APPRD	REH/7/26/05		
ALL DIMENSIONS ARE IN DECIMAL INCHES TOLERANCES UNLESS OTHERWISE SPECIFIED ± 1% @ 68° F				THIRD ANGLE PROJECTION ANSI 14.5M 		4. FOAM FILLED WEIGHT IS 30 LBS.(16.61 KG.)