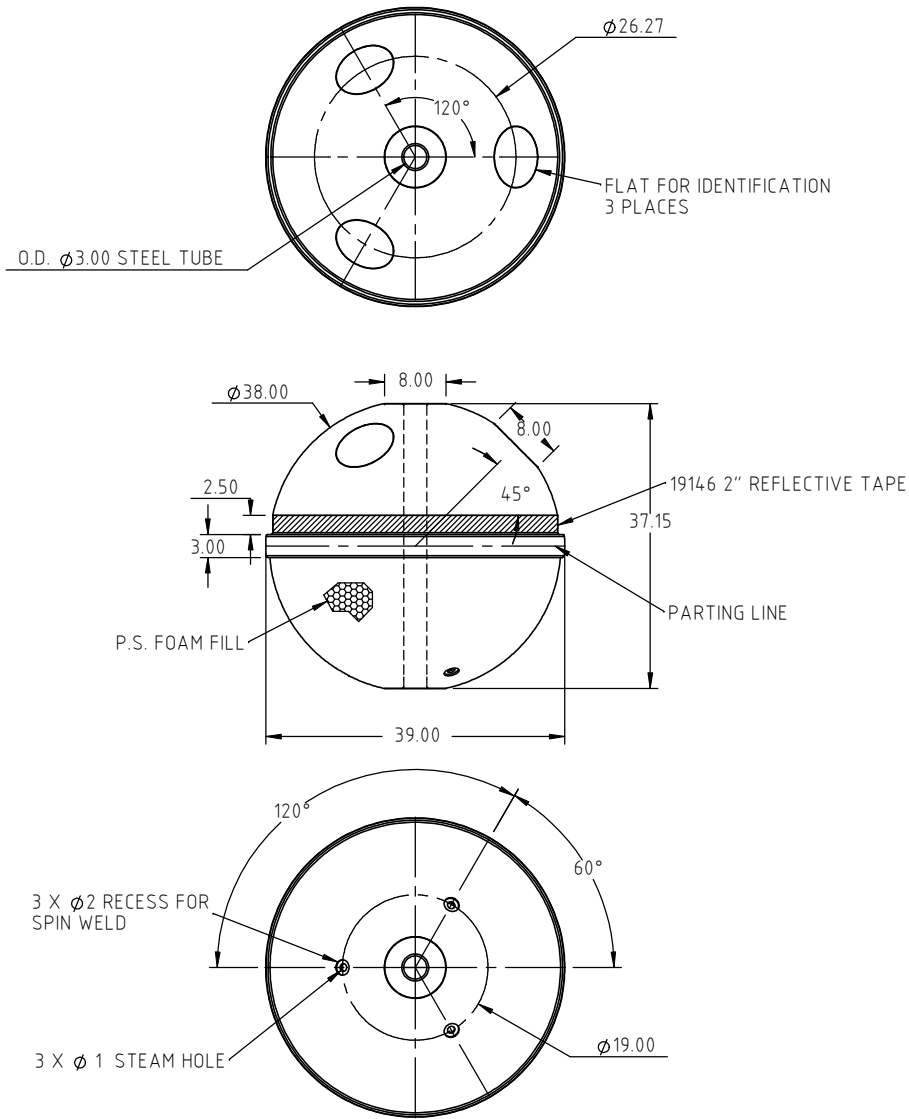



Copyright. All information furnished within this document, electronic file or design correspondence is the property of Den Hartog industries, Inc. and shall not be used, disclosed to others or copied without the expressed written consent of Den Hartog Industries, Inc.



PACKAGE IN 19148 CARTON

				DRAWN / DATE DHJ 2/16/10	MATERIAL 10948	 <p>Den Hartog INDUSTRIES, INC. Ace Roto-Mold Injection Molding Blow Molding Blowjey 4010 HOSPERS DRIVE S. BOX 425, HOSPERS, IOWA 51238-0425</p>
				APPRD. / DATE REH 10/26/10		
REV	DESCRIPTION	BY / DATE	CCN			DESCRIPTION 38 INCH FOAM FILLED MORING BUOY
ALL DIMENSIONS ARE IN DECIMAL INCHES TOLERANCES UNLESS OTHERWISE SPECIFIED		THIRD ANGLE PROJECTION ANSI 14.5M		SHOT WEIGHT: 41.00 LBS	NOTES: 1.) .250 WALL 2.) 16.0 LBS. FOAM	
POLYETHYLENE ±1% @ 68°F		METAL DECIMAL ± .125" FRACTION ± 1/4" ANGLE ± 1°		SHIPPING WEIGHT: 74.00 LBS	FINISH:	PART NO. FFMB-3838