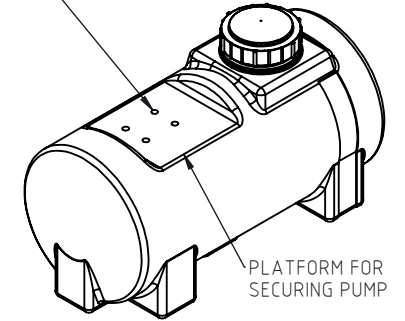
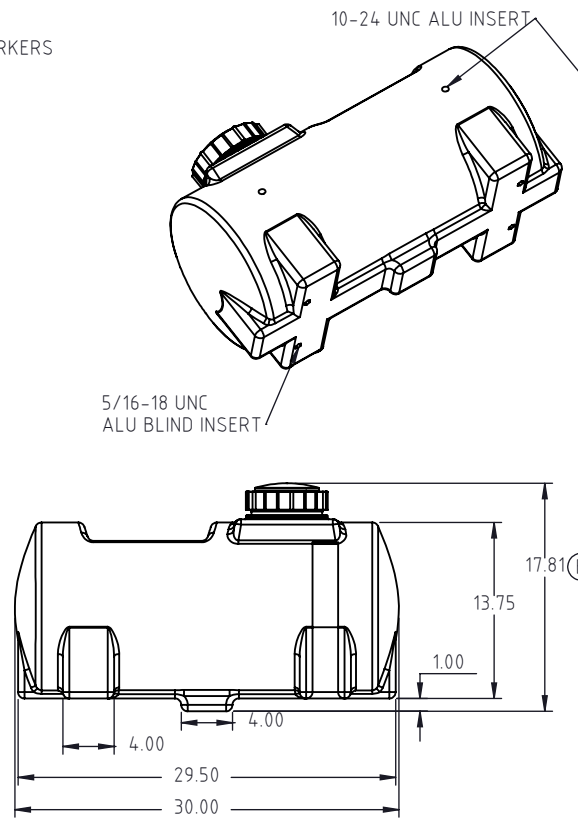
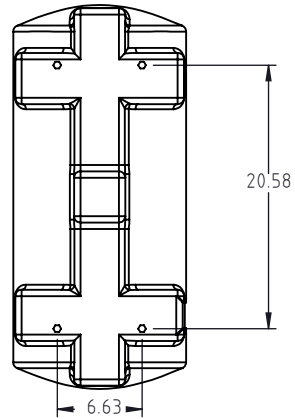
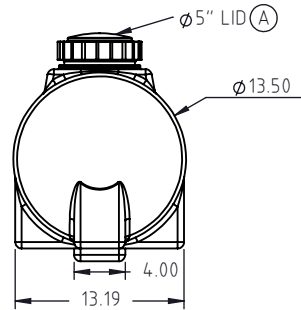
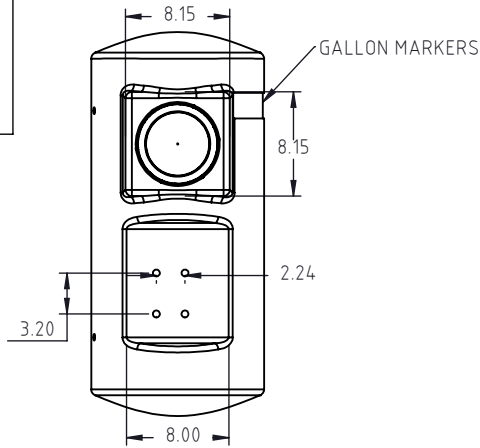


© DEN HARTOG INDUSTRIES, INC.

Copyright. All information furnished within this document, electronic file or design correspondence is the property of Den Hartog industries, Inc. and shall not be used, disclosed to others or copied without the expressed written consent of Den Hartog Industries, Inc.



Ⓐ FM0015-14S

Ⓑ

				DRAWN / DATE NVE 6/9/05	MATERIAL
B	HEIGHT DIMENSION ADDED, DRAWING TEMPLATE UPDATED	DHJ 4/8/10	2054	APPRD. / DATE DHJ 6/21/05	HDPE OR EQUIVALENT REFERENCE MATERIAL DATA SHEET FOR SPECIFIC PROPERTIES
A	CORRECTED DRAWING P.N., UPDATED ADDRESS, 5" LID WAS 6" LID	ADH 12/7/07	1428		
REV	DESCRIPTION	BY / DATE	CCN		
ALL DIMENSIONS ARE IN DECIMAL INCHES TOLERANCES UNLESS OTHERWISE SPECIFIED		THIRD ANGLE PROJECTION ANSI 14.5M		SHOT WEIGHT: 11.00 LBS	NOTES: 1.) NOM. WALL @ .193
POLYETHYLENE		METAL DECIMAL ± .125" FRACTION ± 1/4" ANGLE ± 1°		SHIPPING WEIGHT:	
±1% @ 68°F				FINISH: WHITE OR COLOR	



Den Hartog
INDUSTRIES, INC.

Ace Roto-Mold Injection Molding Blow Molding Sowjoy

4010 HOSPERS DRIVE S. BOX 425, HOSPERS, IOWA 51238-0425

DESCRIPTION 15 GALLON FREE STANDING TANK	
SCALE N.S.	PART NO. FM0015-14S