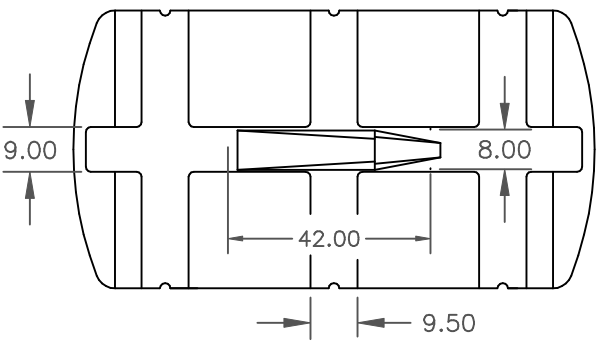


**BOTTOM VIEW OF TANK**



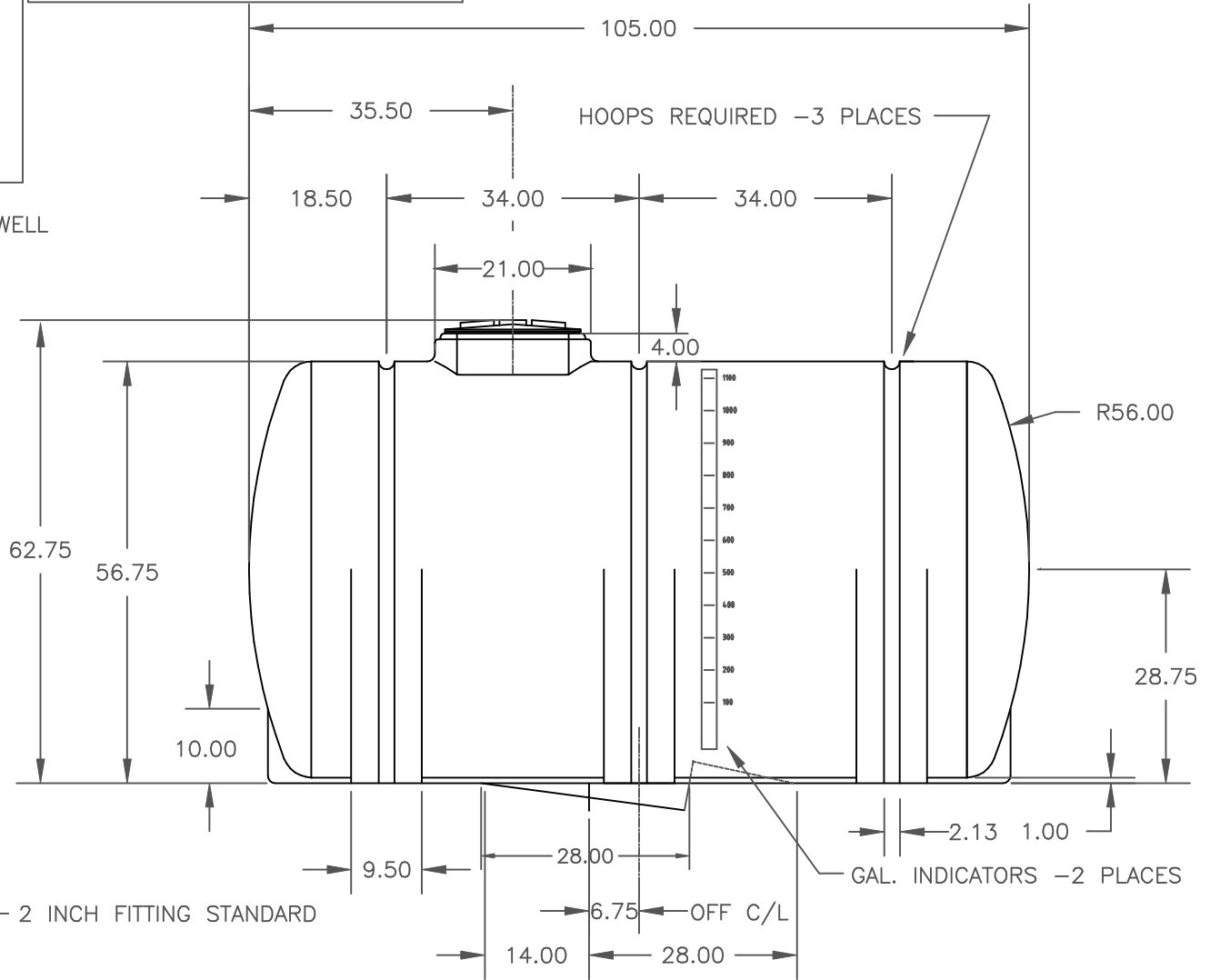
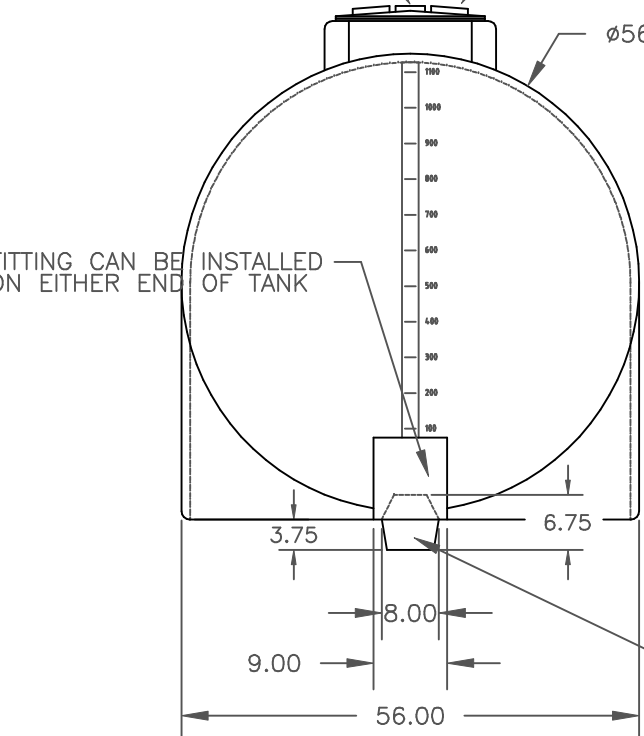
**© DEN HARTOG INDUSTRIES, INC.**

Copyright. All information furnished within this document, electronic file or design correspondence is the property of Den Hartog Industries, Inc. and shall not be used, disclosed to others or copied without the expressed written consent of Den Hartog Industries, Inc.

FM1065-56S

**B**

Ø4.50 CENTER OPENING  
Ø16" FILLWELL



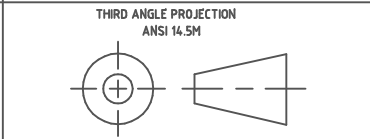
B	WEIGHT (300 LBS), TOLERANCE, ADDRESS UPDATED CCN 1854	ADH 5/5/09
A	CHANGE PART #	4/28/06
REV	DESCRIPTION DATE APPRD	

DRAWN / DATE	DHJ/1/30/96
APPRD. / DATE	REH/1/30/96

MATERIAL / SHOT WEIGHT	340 @
------------------------	-------

**ACE ROTO-MOLD**  
A DIVISION OF DEN HARTOG INDUSTRIES, INC. ®  
4010 HOSPERS DRIVE S. BOX 425, HOSPERS, IOWA 51238-0421

ALL DIMENSIONS ARE IN DECIMAL INCHES  
TOLERANCES UNLESS OTHERWISE SPECIFIED  
± 1% @ 68° F ®



- NOTES:
1. NOM. WALL = .375
  2. SHRINK ALLOWANCE = 2.75%
  3. RESIN IS NATURAL COLOR
  4. FDA APPROVED RESIN
  5. U.V. STABILIZED

CLIENT / DESCRIPTION	ACE 1065 GAL. LEG TANK WITH SUMP	
SCALE	N.S.	PART NO. FM1065-56S