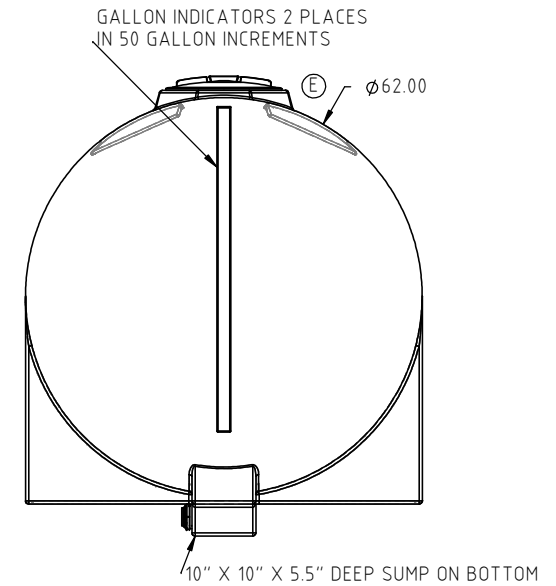
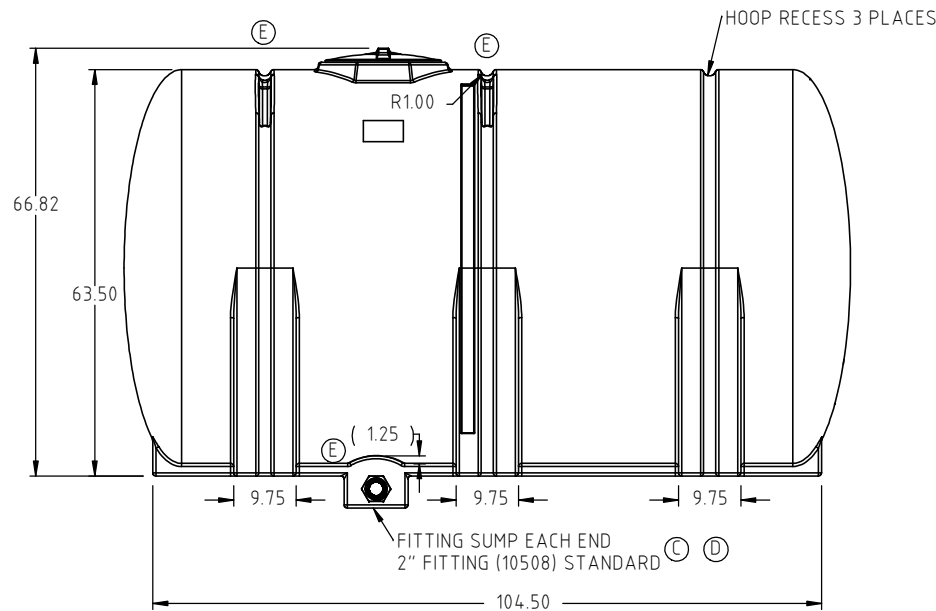
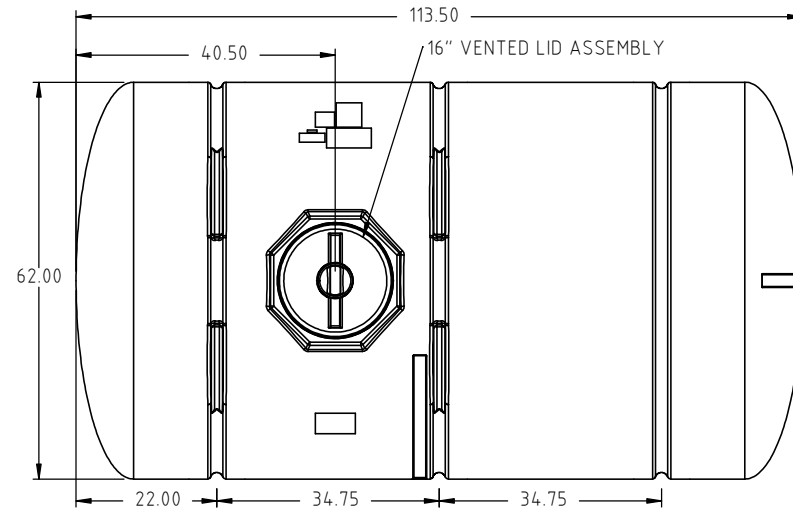


Copyright. All information furnished within this document, electronic file or design correspondence is the property of Den Hartog industries, Inc. and shall not be used, disclosed to others or copied without the expressed written consent of Den Hartog Industries, Inc.



E	BAFFLE ENGAGEMENT POINTS AND FITTING EYE BROW ADDED.	ADH 4/17/17	3378
D	BAFFLE FEATURES AND SYPHON TUBE REMOVED. FITTING MOVED INTO SUMP.	ADH 6/29/16	3260
C	SYPHON TUBE NOTE UPDATED	ADH 5/5/11	2212
B	CHANGE SUMP	DHJ 11/2/07	
A	CHANGE PART #	1/21/05	
REV	DESCRIPTION	BY / DATE	CCN

DRAWN / DATE	MATERIAL
REH 4/27/01	HDPE
APPRD. / DATE	
DHJ 4/27/01	

NOTE: 3 HOOPS ARE REQUIRED ON THIS TANK



**Den Hartog**  
INDUSTRIES, INC.

Ace Roto-Mold Injection Molding Blow Molding Sowjoy

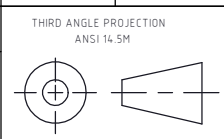
4010 HOSPERS DRIVE S. BOX 425, HOSPERS, IOWA 51238-0425

ALL DIMENSIONS ARE IN DECIMAL INCHES TOLERANCES UNLESS OTHERWISE SPECIFIED

POLYETHYLENE

±1% @ 68°F

METAL  
DECIMAL ± .125"  
FRACTION ± 1/4"  
ANGLE ± 1°



THIRD ANGLE PROJECTION ANSI 14.5M	SHOT WEIGHT: 425.00 LBS
	SHIPPING WEIGHT:
	FINISH:

NOTES:  
1.) AVAILABLE IN NATURAL OR YELLOW COLOR.  
2.) NOM. WALL = 0.400

DESCRIPTION	1300 GAL. FREE STANDING LEG TANK WITH SUMP	
SCALE	N.S.	PART NO. FM1300-DS