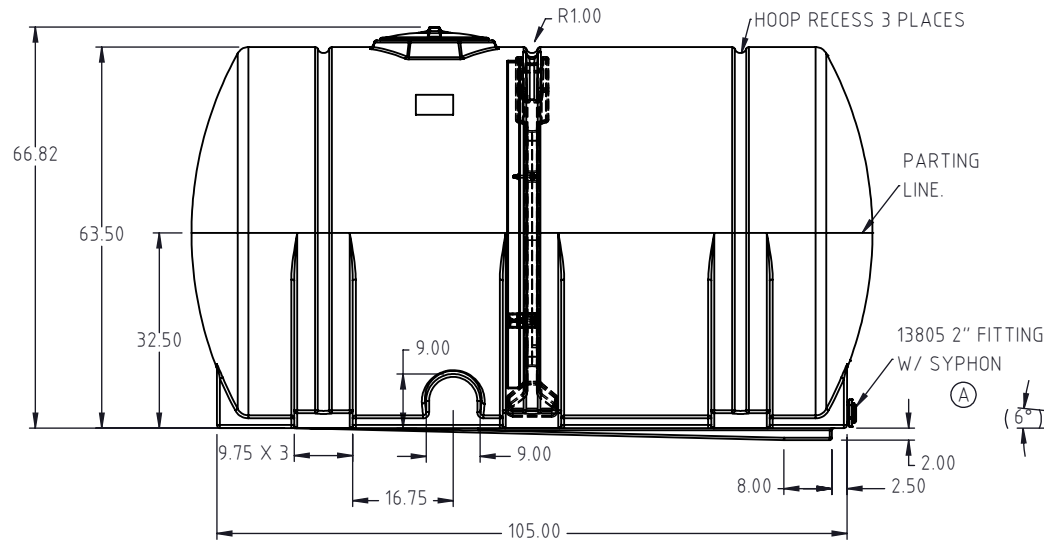
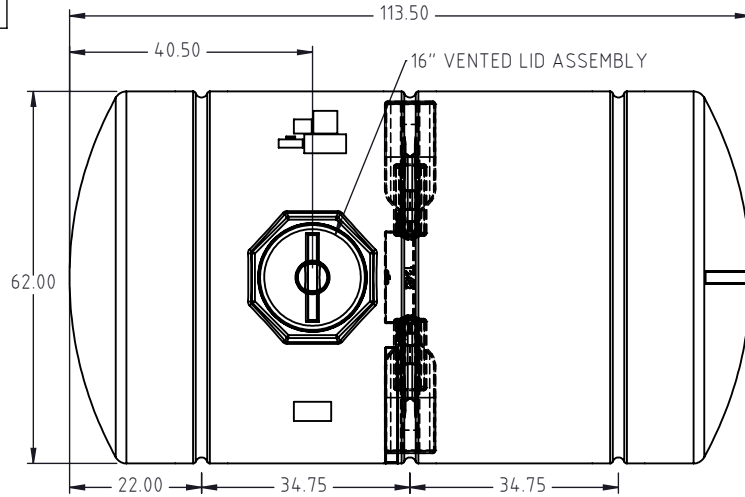
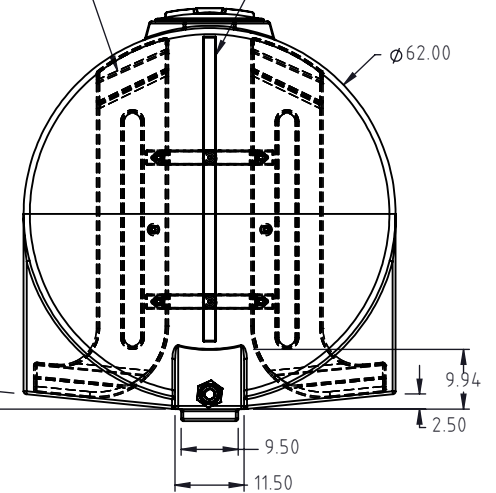


Copyright. All information furnished within this document, electronic file or design correspondence is the property of Den Hartog industries, Inc. and shall not be used, disclosed to others or copied without the expressed written consent of Den Hartog Industries, Inc.



FM1310-62-BAF
BAFFLE KIT REQUIRED.
SHOWN FOR REFERENCE.

GALLON INDICATORS 2 PLACES
IN 50 GALLON INCREMENTS



DRAWN / DATE ADH 3/2/2020		MATERIAL : HDPE	
APPRD. / DATE REH 7/15/2020		NOTES: 1.) NOM. WALL = 0.454	
SHOT WEIGHT: 460 LBS		FINISH:	
SHIPPING WEIGHT: 462 LBS			
THIRD ANGLE PROJECTION ANSI 14.5M			



**Den Hartog
INDUSTRIES, INC.**

Ace Roto-Mold • Injection Molding • Blow Molding • Sowjoy
4010 HOSPERS DRIVE S. BOX 425, HOSPERS, IOWA 51238-0425

A	REPLACED 10508 WITH 13805	BES	2/13/2023	4392
REV.	DESCRIPTION	BY	DATE	CCN
ALL DIMENSIONS ARE IN DECIMAL INCHES TOLERANCES UNLESS OTHERWISE SPECIFIED				
POLYETHYLENE ±1% @ 68°F		METAL DECIMAL ± .125" FRACTION ± 1/4" ANGLE ± 1°		

DESCRIPTION 1310 GAL. FREE STANDING LEG TANK WITH END DRAIN SUMP		
SCALE N.S.	PART NO. FM1310-62E	SHEET 1 OF 1