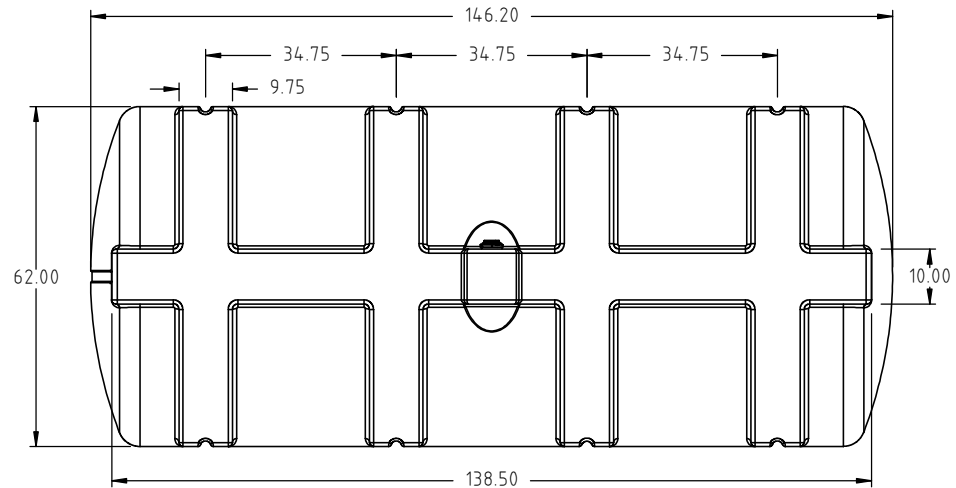
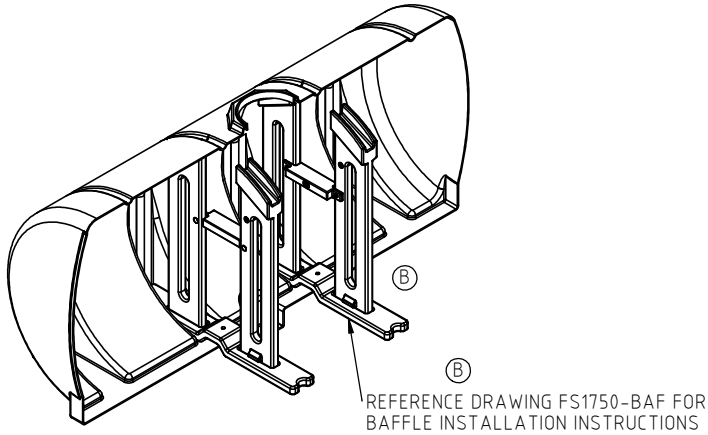
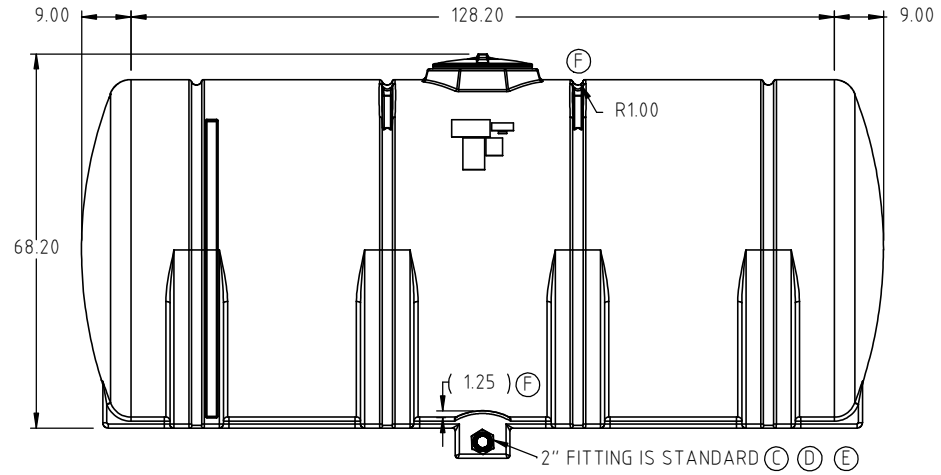
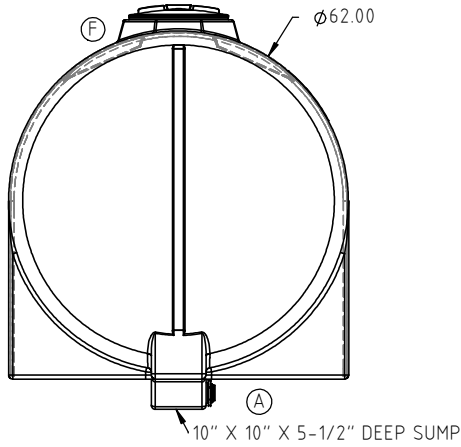


Copyright. All information furnished within this document, electronic file or design correspondence is the property of Den Hartog Industries, Inc. and shall not be used, disclosed to others or copied without the expressed written consent of Den Hartog Industries, Inc.



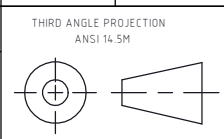
NOTE: 4 HOOPS ARE REQUIRED ON THIS TANK  
NOTE: FS1750-BAF KIT IS STANDARD

|     |   |              |      |
|-----|---|--------------|------|
| F   | BAFFLE ENGAGEMENT POINTS AND FITTING EYEBROW ADDED.               | ADH 4/17/17  | 3378 |
| E   | BAFFLE FEATURES AND SYPHON TUBE REMOVED. FITTING MOVED INTO SUMP. | ADH 6/30/16  | 3260 |
| D   | SYPHON TUBE NOTE CLARIFIED  | ADH 10/23/12 | 2511 |
| C   | SYPHON TUBE NOTE UPDATED  | ADH 5/5/11   | 2212 |
| B   | BAFFLE KIT MADE STANDARD  | ADH 5/15/08  | 1650 |
| A   | INCREASE SUMP SIZE  | DHJ 9/28/07  |      |
| REV | DESCRIPTION   | BY / DATE    | CCN  |

|               |          |
|---------------|----------|
| DRAWN / DATE  | MATERIAL |
| REH 09/12/06  | HDPE     |
| APPRO. / DATE |          |
| DHJ 9/10/07   |          |

ALL DIMENSIONS ARE IN DECIMAL INCHES  
TOLERANCES UNLESS OTHERWISE SPECIFIED

|              |   |
|--------------|---|
| POLYETHYLENE | METAL<br>DECIMAL ± .125"<br>FRACTION ± 1/4"<br>ANGLE ± 1° |
| ±1% @ 68°F   |   |



|                  |            |
|------------------|------------|
| SHOT WEIGHT:     | 540.00 LBS |
| SHIPPING WEIGHT: |            |
| FINISH:          |            |

NOTES:  
1.) AVAILABLE IN NATURAL OR YELLOW COLOR  
2.) NOM. WALL = 0.400

## Den Hartog

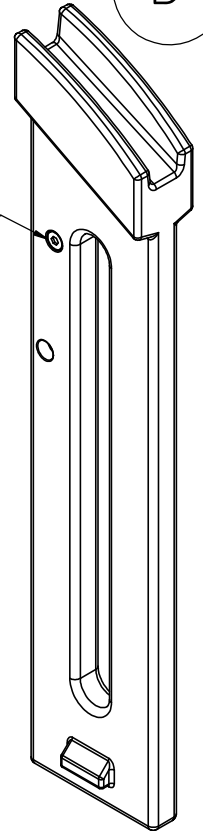
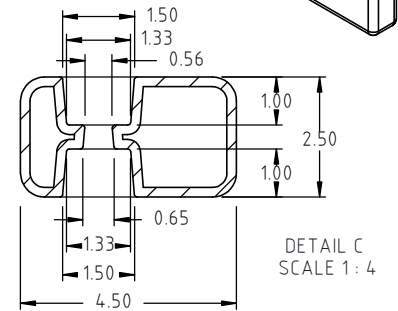
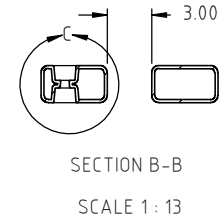
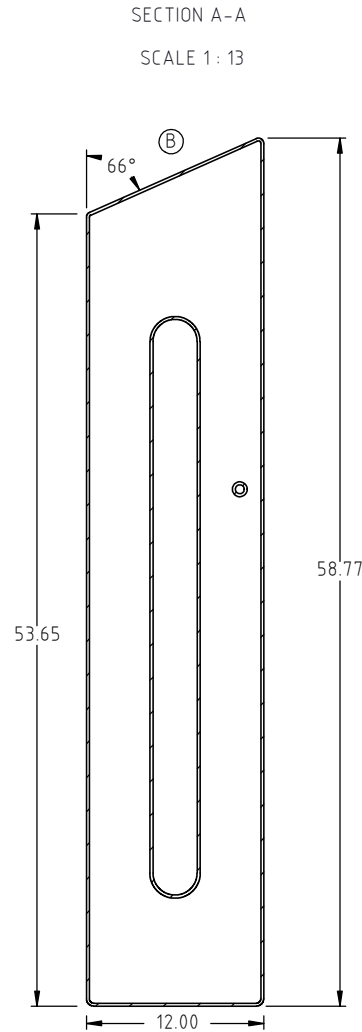
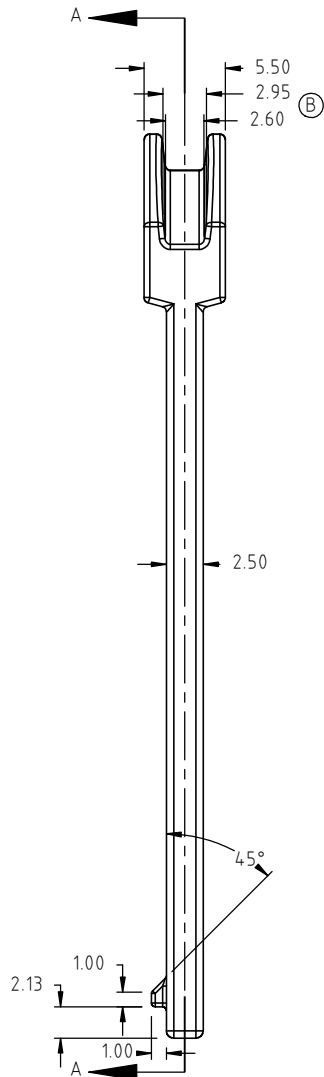
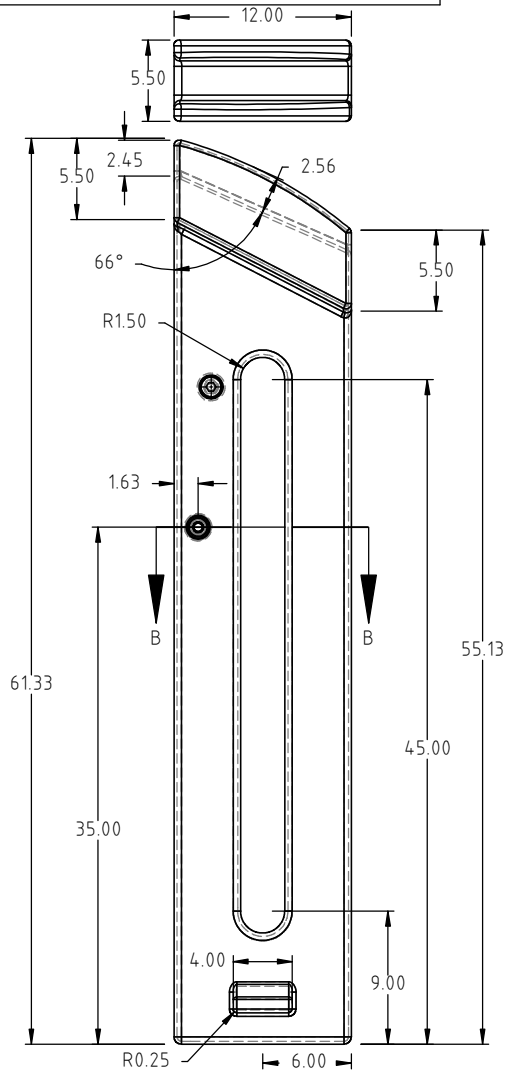
INDUSTRIES, INC.

Ace Roto-Mold Injection Molding Blow Molding Sowjoy

4010 HOSPERS DRIVE S. BOX 425, HOSPERS, IOWA 51238-0425

|             |      |                    |
|-------------|------|--------------------|
| DESCRIPTION |      | 1750 GAL. LEG TANK |
| SCALE       | N.S. | PART NO. FM1750-62 |

Copyright. All information furnished within this document, electronic file or design correspondence is the property of Den Hartog Industries, Inc. and shall not be used, disclosed to others or copied without the expressed written consent of Den Hartog Industries, Inc.



|  |   |                                      |      |                              |  |
|--|---|--------------------------------------|------|------------------------------|--|
| B  | DESIGN OF BAFFLE TOP UPDATED. ENGAGEMENT MADE FLATTER AND DEEPER. | ADH 4/17/17                          | 3378 | DRAWN / DATE<br>ADH 9/7/07   | MATERIAL (A)<br>11017 3 MELT BLACK REGRIND IS PRIMARY MATERIAL. 13472, 2 MELT BLACK REGRIND MAY BE SUBSTITUTED |
| A  | MATERIAL NOTE, DRAWING TEMPLATE UPDATED.                          | 10/10/13                             | 2712 | APPRD. / DATE<br>REH 9/17/07 |  |
| REV  | DESCRIPTION   | BY / DATE                            | CCN  |                              |  |
| ALL DIMENSIONS ARE IN DECIMAL INCHES TOLERANCES UNLESS OTHERWISE SPECIFIED |   | THIRD ANGLE PROJECTION<br>ANSI 14.5M |      | SHOT WEIGHT:<br>12.00 LBS    | NOTES:<br>1.) NOM. WALL @ .250<br>2.) BLACK COLOR  |
| POLYETHYLENE   | METAL<br>DECIMAL ± .125"<br>FRACTION ± 1/4"<br>ANGLE ± 1°         |                                      |      | SHIPPING WEIGHT:             |  |
| ±1% @ 68°F   |   |                                      |      | FINISH:                      |  |



**Den Hartog**  
INDUSTRIES, INC.

Ace Roto-Mold Injection Molding Blow Molding Sowjoy

4010 HOSPERS DRIVE S. BOX 425, HOSPERS, IOWA 51238-0425

|             |   |                   |
|-------------|---|-------------------|
| DESCRIPTION | BAFFLE FOR 1750 GALLON FREE-STANDING LEG TANK |                   |
| SCALE       | N.S.  | PART NO.<br>12481 |