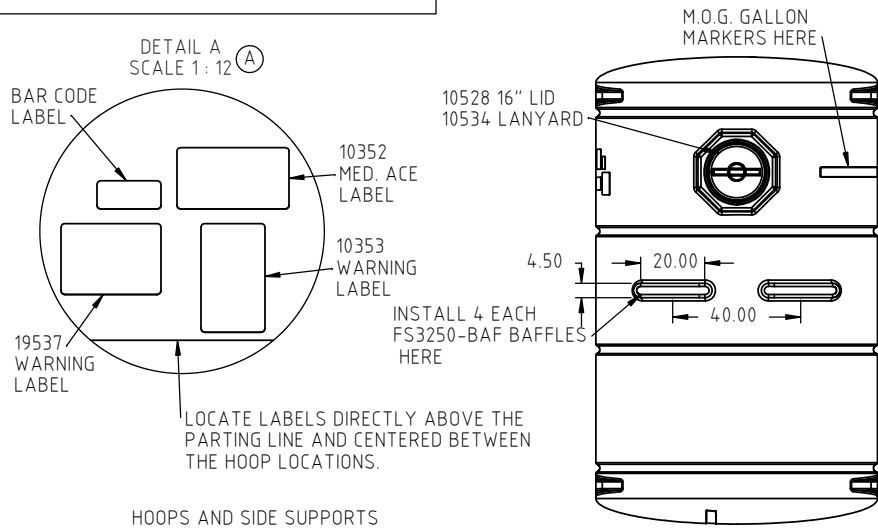


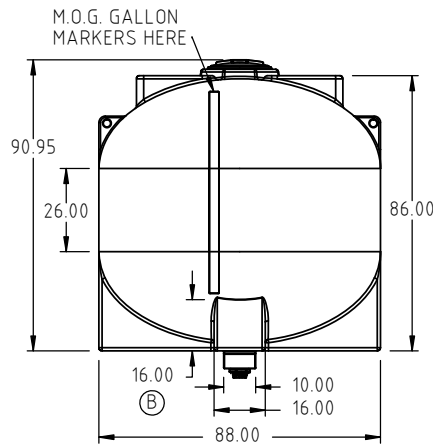
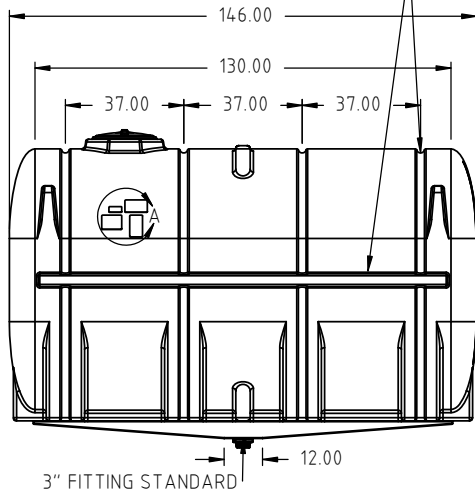
© DEN HARTOG INDUSTRIES, INC.

Copyright. All information furnished within this document, electronic file or design correspondence is the property of Den Hartog Industries, Inc. and shall not be used, disclosed to others or copied without the expressed written consent of Den Hartog Industries, Inc.

**FM3750-88C
CENTER DRAIN SUMP**



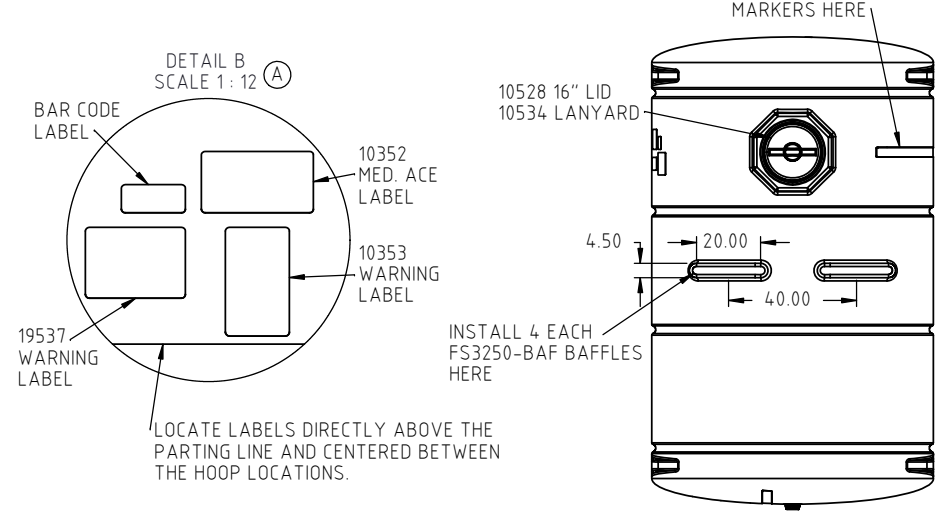
HOOPS AND SIDE SUPPORTS ARE REQUIRED WITH THIS TANK



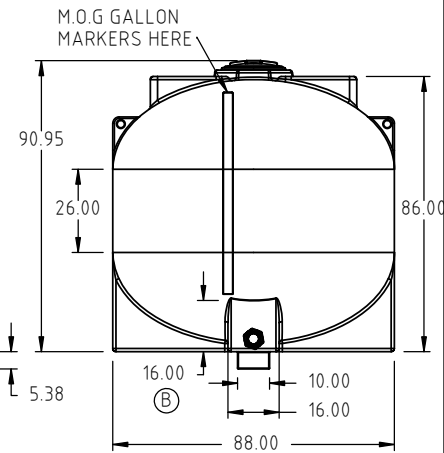
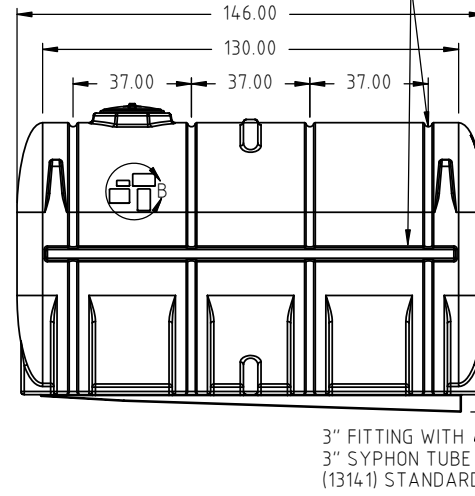
**FM3750-88E
END DRAIN SUMP**

FM3750-88

B



HOOPS AND SIDE SUPPORTS ARE REQUIRED WITH THIS TANK



B	16.00" CORRECTED FROM 9.42"	ADH 8/29/19	3839	DRAWN / DATE ADH 10/25/11	MATERIAL 10538 NATURAL
A	LABELS MOVED TO IMPROVE VISIBILITY	ADH 11/29/12	2531	APPRD. / DATE REH 7/18/12	
REV	DESCRIPTION	BY / DATE	CCN		
ALL DIMENSIONS ARE IN DECIMAL INCHES TOLERANCES UNLESS OTHERWISE SPECIFIED		THIRD ANGLE PROJECTION ANSI 14.5M		SHOT WEIGHT: 1290 LBS.	NOTES: 1.) 0.580 NOMINAL WALL 2.) BLUE, BLACK, WHITE OR YELLOW COLOR
POLYETHYLENE		METAL DECIMAL ± .125" FRACTION ± 1/4" ANGLE ± 1°		SHIPPING WEIGHT: 1422 LBS.	
±1% @ 68°F				FINISH:	



Den Hartog
INDUSTRIES, INC.

Ace Roto-Mold Injection Molding Blow Molding Sowjoy

4010 HOSPERS DRIVE S. BOX 425, HOSPERS, IOWA 51238-0425

DESCRIPTION 3750 GALLON ELLIPTICAL LEG TANK WITH SUMP	
SCALE N.S.	PART NO. FM3750-88