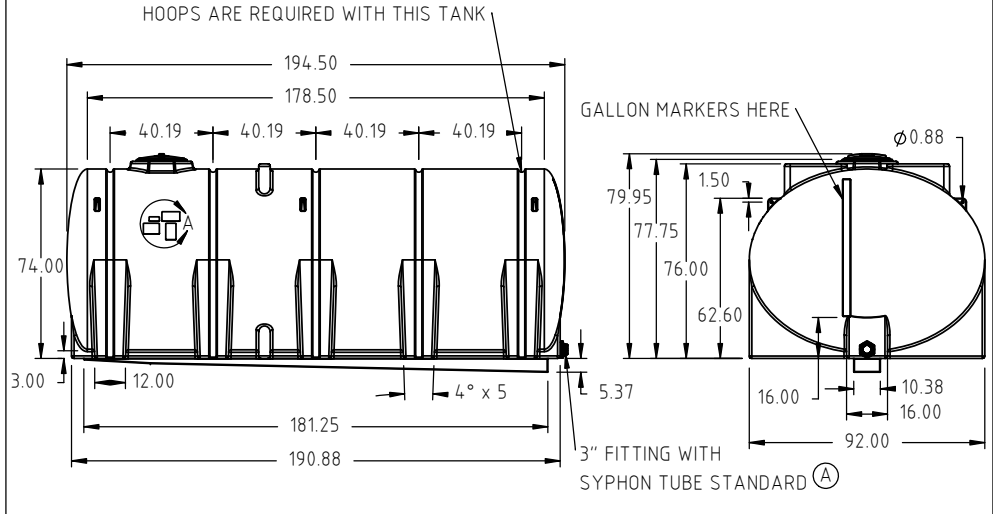
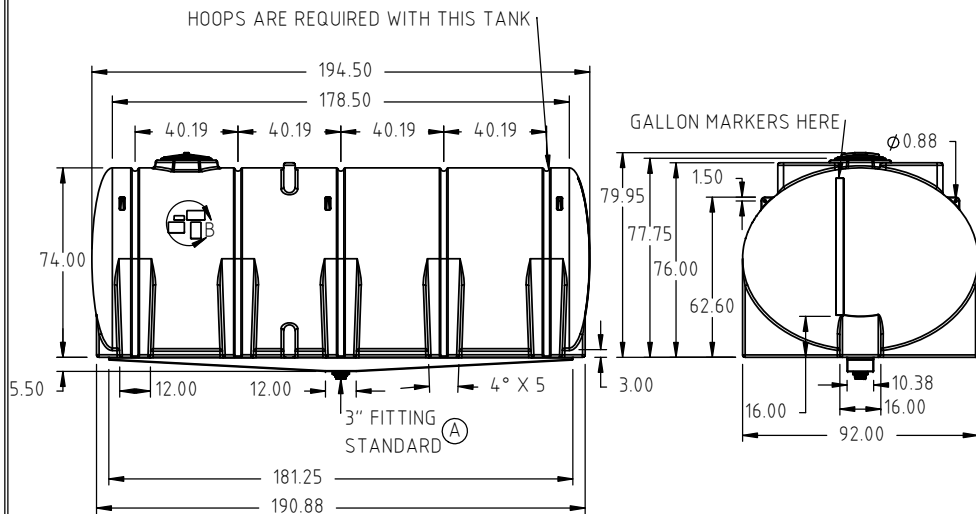
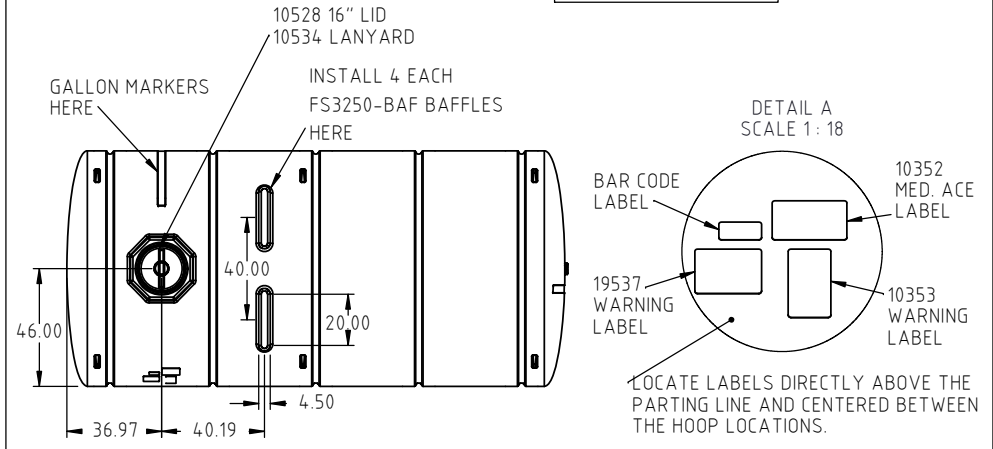
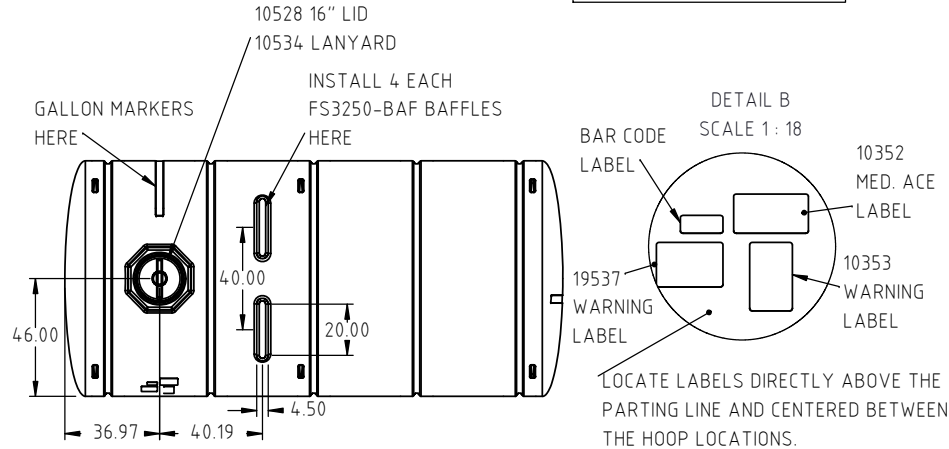



Copyright. All information furnished within this document, electronic file or design correspondence is the property of Den Hartog Industries, Inc. and shall not be used, disclosed to others or copied without the expressed written consent of Den Hartog Industries, Inc.

**FM4200-92C
CENTER DRAIN SUMP**

**FM4200-92E
END DRAIN SUMP**



				DRAWN / DATE ADH 11/15/17	MATERIAL 12532 BLACK RESIN 10538 NATURAL
A	FITTING INFORMATION ADDED/CORRECTED.	ADH 12/12/18	3683	APPRD. / DATE REH 3/15/18	
REV	DESCRIPTION	BY / DATE	CCN		
ALL DIMENSIONS ARE IN DECIMAL INCHES TOLERANCES UNLESS OTHERWISE SPECIFIED		THIRD ANGLE PROJECTION ANSI 14.5M		SHOT WEIGHT: 1541 LBS.	NOTES: 1) .590 NOMINAL WALL
POLYETHYLENE		METAL DECIMAL ± .125" FRACTION ± 1/4" ANGLE ± 1°		SHIPPING WEIGHT: 1648 LBS.	
±1% @ 68°F				FINISH:	



**Den Hartog
INDUSTRIES, INC.**

Ace Roto-Mold Injection Molding Blow Molding Sowjoy

4010 HOSPERS DRIVE S. BOX 425, HOSPERS, IOWA 51238-0425

DESCRIPTION	4200 GALLON ELLIPTICAL LEG TANK WITH SUMP	
SCALE	N.S.	PART NO. FM4200-92